

SPECIFICATIONS

Mechanical

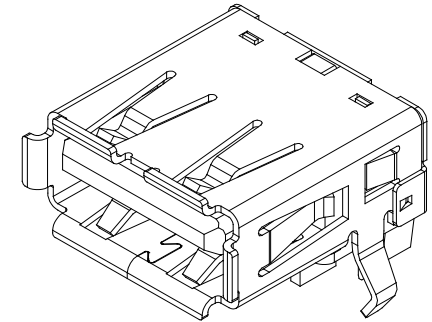
Mating Force: 3.50Kg (7.71Lb) max.
Unmating Force: 1.00Kg (2.20Lb) min.
Durability: 1500 Cycles

Electrical

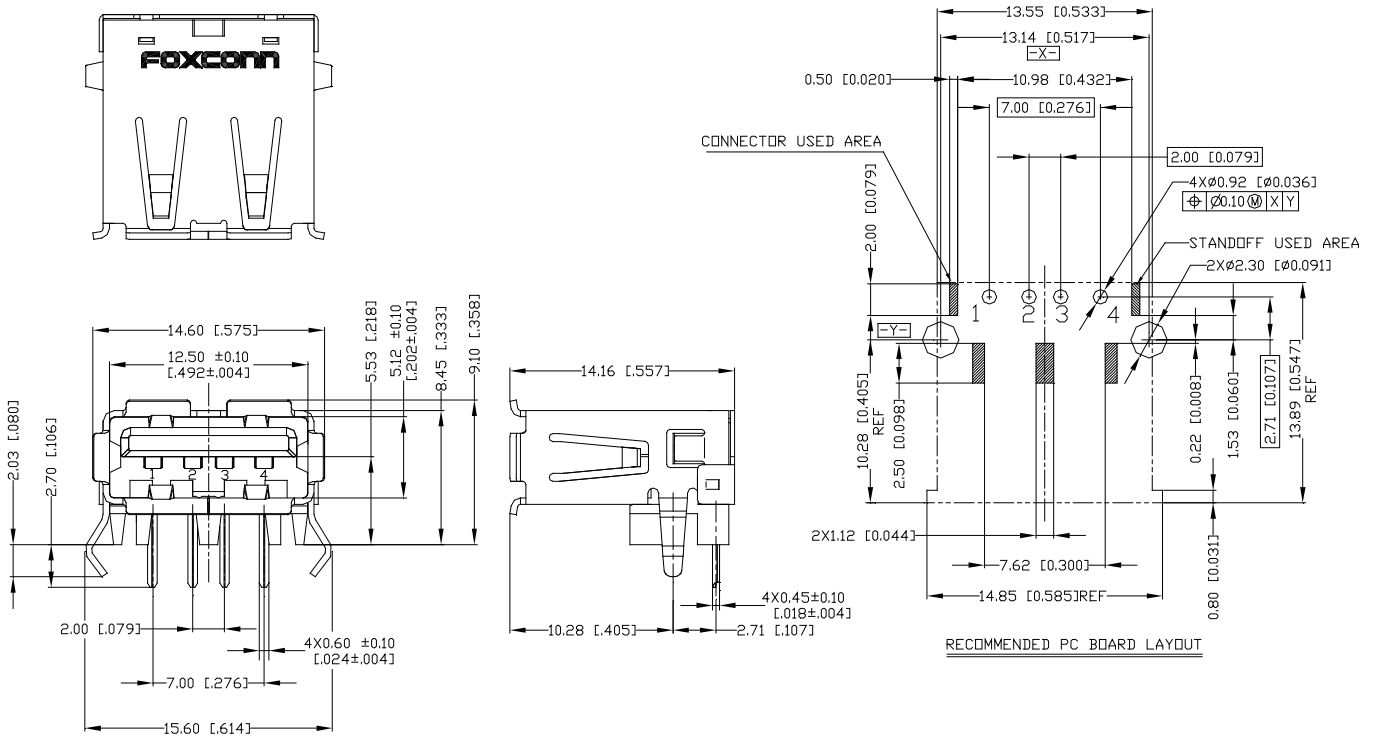
Current Rating: 1.5A
Contact Resistance: 30mΩ max.
Dielectric Withstanding Voltage: 500V AC/1min min.
Insulation Resistance: 1000MΩ min.

Physical

Housing: Thermoplastic, UL 94V-0 rated
Contact and Shell: Copper alloy
Plating: See "ORDERING INFORMATION"
Operating Temperature: -55°C to +85°C



DRAWING



ORDERING INFORMATION

PRODUCT NO.: UB 1 1 1 2 C - 4HK2 - 4H

USB Series: UB
 USB A Type: 1
 Termination Type: 1 (RIGHT ANGLE)
 Contact Design Type: 1 (Female Contact)
 No. of Pos: 1 (4 Pos.)

4=Soft Tray
 H=Lead Free
 Modification Code
 Contact Area Plated
 C=Gold Flash & 30u" Pd/Ni
 Profile Height
 2=4.13 mm