

USB Connector

SPECIFICATIONS

Mechanical

Mating Force: 3.50Kg (7.71Lb) max.
Unmating Force: 1.00Kg (2.20Lb) min.
Durability: 1500 Cycles

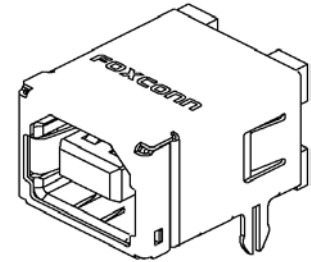
Electrical

Current Rating: 1.5A
Contact Resistance: 30mΩ max.
Dielectric Withstanding Voltage: 750V AC/1min min.
Insulation Resistance: 1000MΩ min.

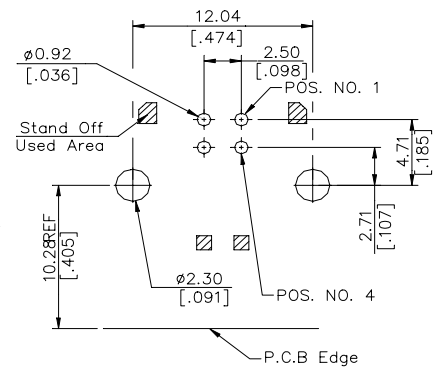
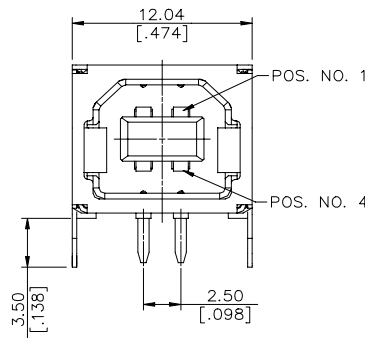
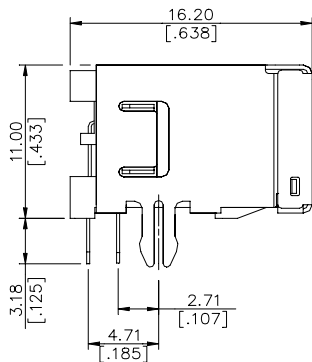
Physical

Housing: Thermoplastic, UL 94V-0 rated
Contact and Shell: Copper alloy
Plating: See "ORDERING INFORMATION"
Operating Temperature: -55°C to +85°C

UC Series
Right Angle, T/H Type
4 Pos.



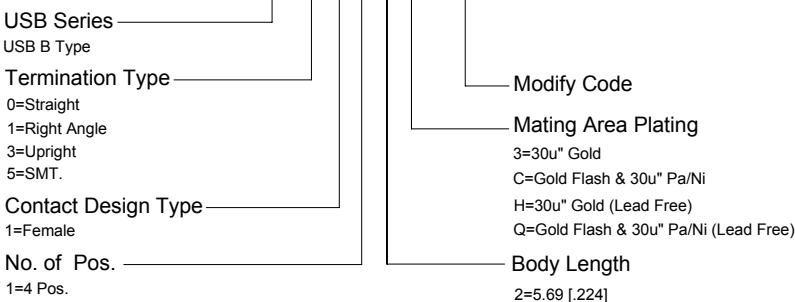
DRAWING



RECOMMENDED P.C.B. LAYOUT

ORDERING INFORMATION

PRODUCT NO.: UC 1 1 1 2 * - ***



UC1112*-LH1	LOW TEMPERATURE THERMAL PLASTIC	BLACK
UC1112*-LK1	LOW TEMPERATURE THERMAL PLASTIC	BLACK
UC1112*-KA	LOW TEMPERATURE THERMAL PLASTIC	WHITE
P/N	HOUSING TYPE	HOUSING CORLOR