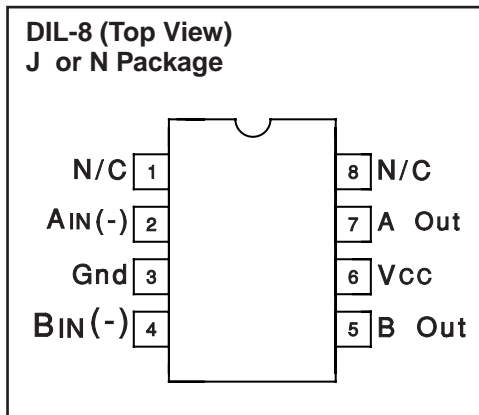


# Dual Ultra High-Speed FET Driver

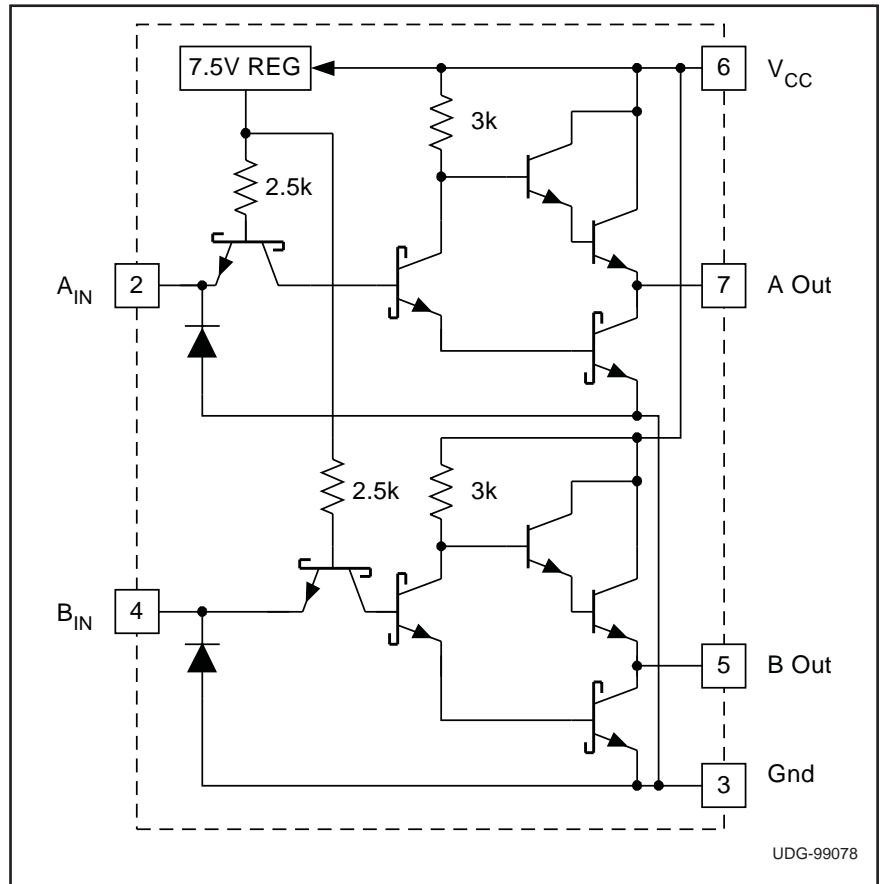
## FEATURES

- 25ns Rise and Fall into 1000pF
- 15ns Propagation Delay
- 1.5A Source or Sink Output Drive
- Operation with 5V to 35V Supply
- High-Speed Schottky NPN Process
- 8-PIN MINIDIP Package

## CONNECTION DIAGRAM



## BLOCK DIAGRAM



## DESCRIPTION

The UC1711 family of FET drivers are made with an all-NPN Schottky process in order to optimize switching speed, temperature stability, and radiation resistance. The cost for these benefits is a quiescent supply current which varies with both output state and supply voltage. For lower power requirements, refer to the the UC1709 family which is both pin compatible with, and functionally equivalent to the UC1711.

These devices implement inverting logic with TTL compatible inputs, and output stages which will either source, or sink in excess of 1.5A of load current with minimal cross-conduction charge. Due to their monolithic construction, the channels are well matched and can be paralleled for doubled output current capability.

## ABSOLUTE MAXIMUM RATINGS

Input Supply Voltage, $V_{CC}$	40V
Output Current (Source or Sink)	
Steady State	$\pm 500\text{mA}$
Peak Transient	$\pm 1.5\text{A}$
Maximum Forced Voltage	-0.3V to 7V
Maximum Forced Current	$\pm 10\text{mA}$
Power Dissipation	1W
Operating Junction Temperature	$-55^{\circ}\text{C}$ to $+150^{\circ}\text{C}$
Storage Temperature	$-65^{\circ}\text{C}$ to $+150^{\circ}\text{C}$

**Note 1:** Unless otherwise indicated, voltages are reference to ground and currents are positive into, negative out of, the specified terminals. All reliability information for this device has been gathered at an ambient air temperature of 125°C, and a supply voltage of 25V.

**Note 2:** Consult Unitrode databook for information regarding thermal specifications and limitations of packages.

## ORDERING INFORMATION

	TEMPERATURE RANGE	PACKAGE
UC1711J	$-55^{\circ}\text{C}$ to $+125^{\circ}\text{C}$	Ceramic DIP
UC3711J	$0^{\circ}\text{C}$ to $+70^{\circ}\text{C}$	Ceramic DIP
UC3711N	$0^{\circ}\text{C}$ to $+70^{\circ}\text{C}$	Plastic DIP

**ELECTRICAL CHARACTERISTICS:** Unless otherwise stated,  $V_{CC} = 15V$ .  $T_A = T_J$ .

PARAMETER	TEST CONDITIONS	MIN	TYP	MAX	UNITS
<b>Input Supply</b>					
Supply Current (Note 3)	Both inputs = 0V; $V_{CC} = 15V$		11	15	mA
	Both inputs = 5V; $V_{CC} = 15V$		20	27	mA
	Both inputs = 0V; $V_{CC} = 35V$		15	20	mA
	Both inputs = 5V; $V_{CC} = 35V$		41	56	mA
<b>Logic Inputs</b>					
Logic 0 Input Voltage				0.8	V
Logic 1 Input Voltage		2.2			V
Input Current	$V_{IN} = 0V$	-5.0	-2.7		mA
	$V_{IN} = 5V$		0.5	2.0	mA
<b>Output Stages</b>					
Output High Level	$I_{SOURCE} = 20mA$ , below $V_{CC}$		1.5	2.0	V
	$I_{SOURCE} = 200mA$ , below $V_{CC}$		2.0	3.0	V
Output Low Level	$I_{SINK} = 20mA$		.25	0.4	V
	$I_{SINK} = 200mA$		0.4	1.0	V
<b>Switching Characteristics (Note 4)</b>					
Rise Time Delay, TPLH	$C_{LOAD} = 0$		10	40	ns
	$C_{LOAD} = 1000pF$ , (Note 5)		15	50	ns
	$C_{LOAD} = 2200pF$		20	55	ns
Fall Time Delay, TPHL	$C_{LOAD} = 0$		3	20	ns
	$C_{LOAD} = 1000pF$ , (Note 5)		5	20	ns
	$C_{LOAD} = 2200pF$		5	20	ns
Rise Time, TLH	$C_{LOAD} = 0$ , (Note 5)		12	25	ns
	$C_{LOAD} = 1000pF$ , (Note 5)		25	40	ns
	$C_{LOAD} = 2200pF$		40	55	ns
Fall Time, THL	$C_{LOAD} = 0$ , (Note 5)		7	15	ns
	$C_{LOAD} = 1000pF$ , (Note 5)		25	40	ns
	$C_{LOAD} = 2200pF$		40	55	ns
Total Supply Current	Freq = 200kHz, 50% Duty-cycle Both Channels Switching				
	$C_{LOAD} = 0$		17	23	mA
	$C_{LOAD} = 2200pF$		29	35	mA

**Note 3:** Supply currents at other input supply voltages can be calculated by extrapolating the 15V and 35V supply currents. The impedance of the chip at the  $V_{CC}$  pin is linear for supply voltages from 8V to 35V, the approximate value of this impedance is 4.3k for both inputs low, 0.94k for both inputs high, and 1.54k for one input high and one low.

**Note 4:** Switching test conditions are,  $V_{CC} = 15V$ , Input voltage waveform levels are 0V and 5V, with transition times of <3ns. The timing terms are defined as : TPHL Propagation delay 50%  $V_{IN}$  to 90%  $V_{OUT}$ ; TPLH Propagation delay 50%  $V_{IN}$  to 10%  $V_{OUT}$ ; THL 90%  $V_{OUT}$  to 10%  $V_{OUT}$ ; TLH 10%  $V_{OUT}$  to 90%  $V_{OUT}$ .

**Note 5:** This specification not tested in production. Unless otherwise stated specifications hold for  $T_A = 0$  to 70°C for the UC3711, and  $T_A = -55$  to 125°C for the UC1711,  $V_{CC} = 15V$ .  $T_A = T_J$ .

## IMPORTANT NOTICE

Texas Instruments and its subsidiaries (TI) reserve the right to make changes to their products or to discontinue any product or service without notice, and advise customers to obtain the latest version of relevant information to verify, before placing orders, that information being relied on is current and complete. All products are sold subject to the terms and conditions of sale supplied at the time of order acknowledgement, including those pertaining to warranty, patent infringement, and limitation of liability.

TI warrants performance of its semiconductor products to the specifications applicable at the time of sale in accordance with TI's standard warranty. Testing and other quality control techniques are utilized to the extent TI deems necessary to support this warranty. Specific testing of all parameters of each device is not necessarily performed, except those mandated by government requirements.

CERTAIN APPLICATIONS USING SEMICONDUCTOR PRODUCTS MAY INVOLVE POTENTIAL RISKS OF DEATH, PERSONAL INJURY, OR SEVERE PROPERTY OR ENVIRONMENTAL DAMAGE ("CRITICAL APPLICATIONS"). TI SEMICONDUCTOR PRODUCTS ARE NOT DESIGNED, AUTHORIZED, OR WARRANTED TO BE SUITABLE FOR USE IN LIFE-SUPPORT DEVICES OR SYSTEMS OR OTHER CRITICAL APPLICATIONS. INCLUSION OF TI PRODUCTS IN SUCH APPLICATIONS IS UNDERSTOOD TO BE FULLY AT THE CUSTOMER'S RISK.

In order to minimize risks associated with the customer's applications, adequate design and operating safeguards must be provided by the customer to minimize inherent or procedural hazards.

TI assumes no liability for applications assistance or customer product design. TI does not warrant or represent that any license, either express or implied, is granted under any patent right, copyright, mask work right, or other intellectual property right of TI covering or relating to any combination, machine, or process in which such semiconductor products or services might be or are used. TI's publication of information regarding any third party's products or services does not constitute TI's approval, warranty or endorsement thereof.