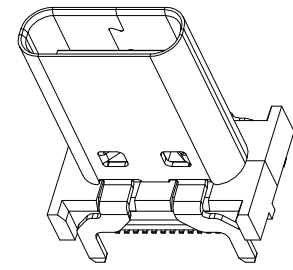
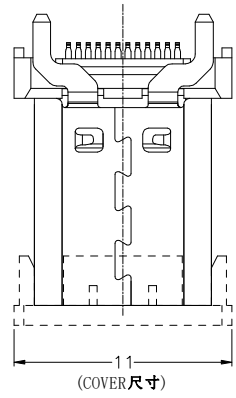
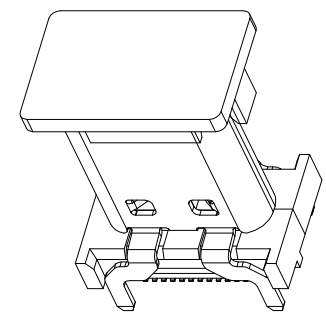


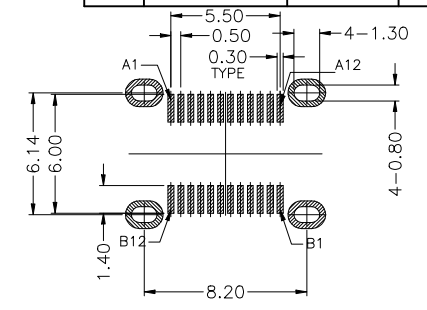
REV.	ECN. NO.	NAME	DATE



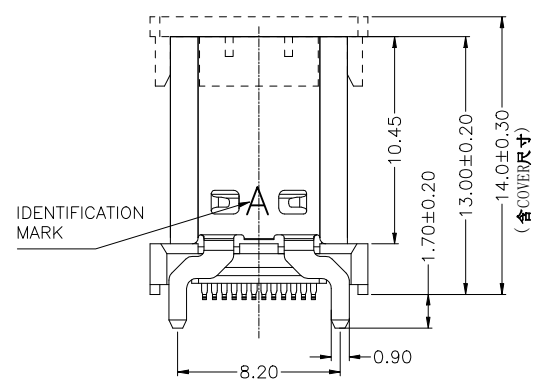
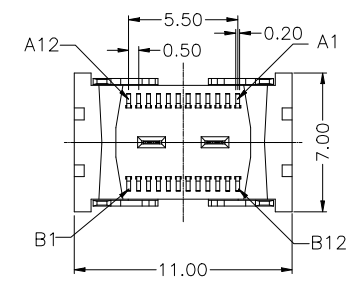
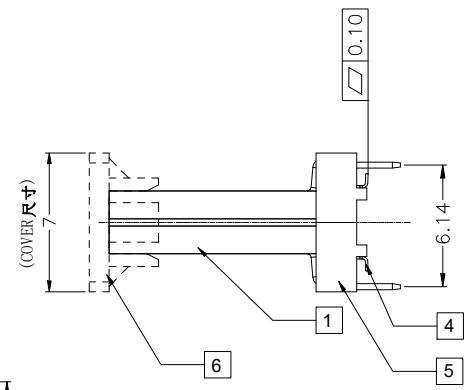
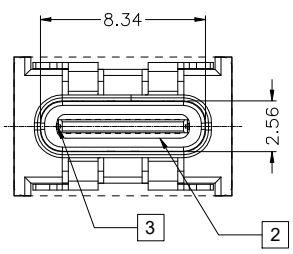
WITHOUT COVER



WITH COVER



RECOMMEND P.C.B LAYOUT (COMPONENT SIDE)
 TOLERANCE FOR PCB LAYOUT IS ± 0.05
 KEEP OUT AREA



PART NO: UC41D3XLB01

- Contact Resistance: 40mΩ Max.;
- Dielectric Withstanding Voltage: 100V AC For 1 Minute;
- Insulation Resistance: 100M Ω Min.;
- Mating And Unmating Force:
 Mating Force: 5~20N
 Unmating Force: 8~20N;
 6~20N AFTER TEST;
- Durability: 10000 Cycles;

Item	Title	Material	Dispose	Q'TY
1	Shell	Stainless Steel	Ni:30u" Min.	1PCS
2	GND Plate	Stainless Steel		2PCS
3	Mid Plate	Stainless Steel		1PCS
4	Contact	Copper Alloy	Mating Area: See P/N Solder Tails: Matt Tin	2PCS
5	Insert Molding	LCP	UL 94V-0 Black	1PCS
6	COVER	LCP	UL 94V-0 Black	1PCS

RoHS Compliant

- 1-gold plated 1u"
- 2-gold plated 3u"
- 3-gold plated 6u"
- 4-gold plated 15u"
- 5-gold plated 20u"
- 6-gold plated 30u"
- 7-gold plated 50u"

TOLERANCE UNSPECIFIED		VITALCON a vital connector company		FOR YOUR VITAL CONNECTION	
.0	± 0.38			TITLE: USB 3.1 TYPE C FEMALE VERTICAL H13.0mm SMT TYPE	
.00	± 0.25	DRAWN BY: BECKER		PART NO: UC41D3XLB01	REV: A
.000	± 0.10	CHECKED BY: VTA		SIZE: A4	UNIT: mm
ANGLE	± 3.00°	APPROVED BY: QPF		PROJECTION	SHEET: 10F1
MANUFACTURING COPY		PROJECTION		http://www.vitalconn.com	