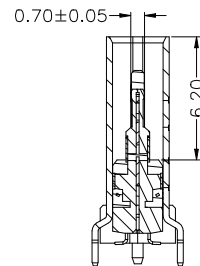
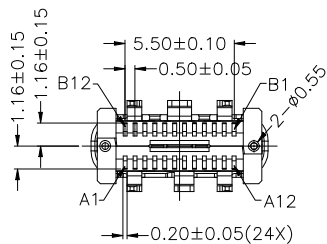
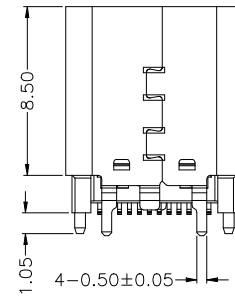
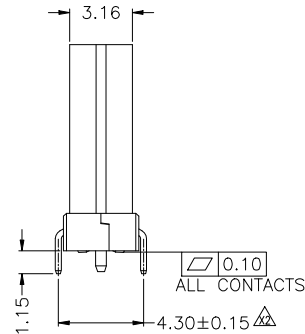
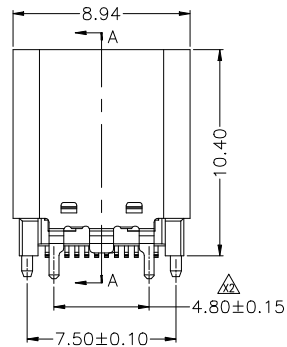
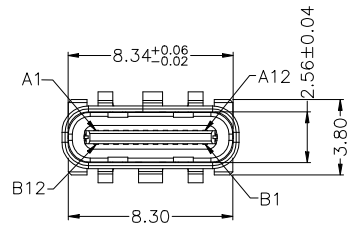


REV.	ECN. NO.	NAME	DATE



PART NO: UC41D3XLB05

RoHS Compliant

- 1-gold plated 1u"
- 2-gold plated 3u"
- 3-gold plated 6u"
- 4-gold plated 15u"
- 5-gold plated 20u"
- 6-gold plated 30u"
- 7-gold plated 50u"

NOTE:

- 1.MATERIAL SPECIFICATION:
 - 1.HOUSING:HIGH TEMPERATURE RESISTANT PLASTIC(LCP),UL94 V-0.
 - 2.CONTACTS:COPPER ALLOY(C18150)T=0.12mm
 - 3.MID PLATE: STAINLESS STEEL(SUS301)T=0.15mm
 - 4.EMI PLATE: STAINLESS STEEL(SUS301)T=0.10mm
 - 5.SHELL: STAINLESS STEEL(SUS304)T=0.30mm
- 2.PLATING SPECIFICATION:
 - 2-1.CONTACTS:
 - Ni 50u" MIN. UNDER PLATED OVER ALL.
 - Au PLATED ON THE FUNCTIONAL AREA OF CONTACT.
 - (GOLD PLATING THICKNESS FOLLOW THE P/N)
 - Sn PLATED ON THE SOLDER AREA OF CONTACT.
 - 2-2.SHELL:
 - Ni 30u" MIN. UNDER PLATED OVER ALL.
 - 2-3.MID PLATE:
 - CLEAR ONLY
 - 2-4.EMI PLATE:
 - CLEAR ONLY
- 3.MECHANICAL PERFORMANCE,
 - 3-1.INSERTION FORCE: 5~20N.
 - 3-2.REMOVAL FORCE: 8~20N,6~20N AFTER TEST;
 - 3-3.DURABILITY: 10000 CYCLES.
- 4.ELECTRICAL PERFORMANCE,
 - 4-1. CURRENT RATING:5.0A
VOLTAGE RATING:5.0V
 - 4-2. LLCR:
 - VBUS & GND PINS AND OTHER PINS: 40mΩ/PIN MAX.
 - SHIELD: 50mΩ/MAX.
 - LLCR MAX. CHANGE OF ALL PINS: 10mΩ.
 - 4-3.INSULATION RESISTANCE: 100MΩ MIN
 - 4-4.DIELECTRIC WITHSTAND VOLTAGE,AC 100V FOR 1 MINUTE.
5. ENVIRONMENTAL PERFORMANCE:
 - OPERATING TEMPERATURE: -25°C~+85°C.
- 6.IR REFLOW:
 - THE PEAK TEMPERATURE ON THE BOARD SHALL BE MAINTAINED FOR 10 SECONDS AT 260°C.

Item	Title	Material	Dispose	Remark
1	Shell	Stainless Steel	Ni:30u" Min.	
2	GND Plate	Stainless Steel	Clear Only	
3	Mid Plate	Stainless Steel	Clear Only	
4	Top Contact	Copper Alloy	Mating Area: See P/N Solder Tails: Matt Tin	
5	Bottom Contact	Copper Alloy		
6	Insulator	High Temperature Plastic	UL 94V-0	Black

TOLERANCE UNSPECIFIED		 a vital connector company		FOR YOUR VITAL CONNECTION	
.0	± 0.38				
.00	± 0.25	TITLE: USB 3.1 TYPE C FEMALE VERTICAL H10.4mm SMT TYPE			
.000	± 0.10				
ANGLE	± 3.00°	MANUFACTURING COPY			
DRAWN BY:	BECKER	PART NO:	UC41D3XLB05	REV: A	
CHECKED BY:	VTA	SIZE: A4	UNIT: mm	SHEET: 10F1	FCN: B1
APPROVED BY:	QPF	PROJECTION		http://www.vitalconn.com	