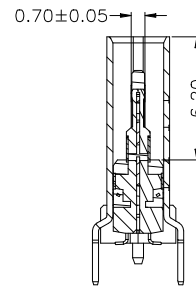
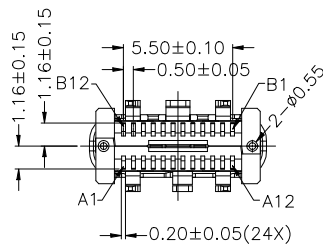
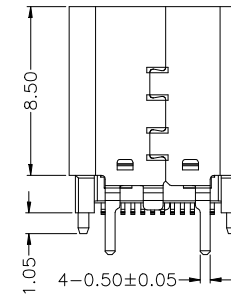
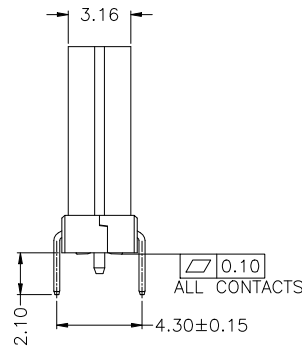
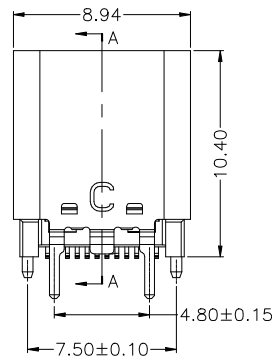
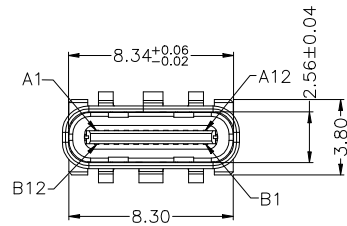


| REV. | ECN. NO. | NAME | DATE |
|------|----------|------|------|
|      |          |      |      |



PART NO: UC41D3XLB07

RoHS Compliant

- 1-gold plated 1u"
- 2-gold plated 3u"
- 3-gold plated 6u"
- 4-gold plated 15u"
- 5-gold plated 20u"
- 6-gold plated 30u"
- 7-gold plated 50u"

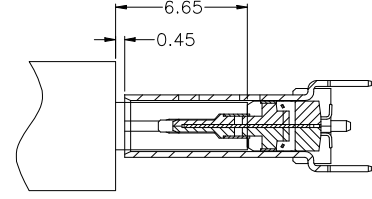
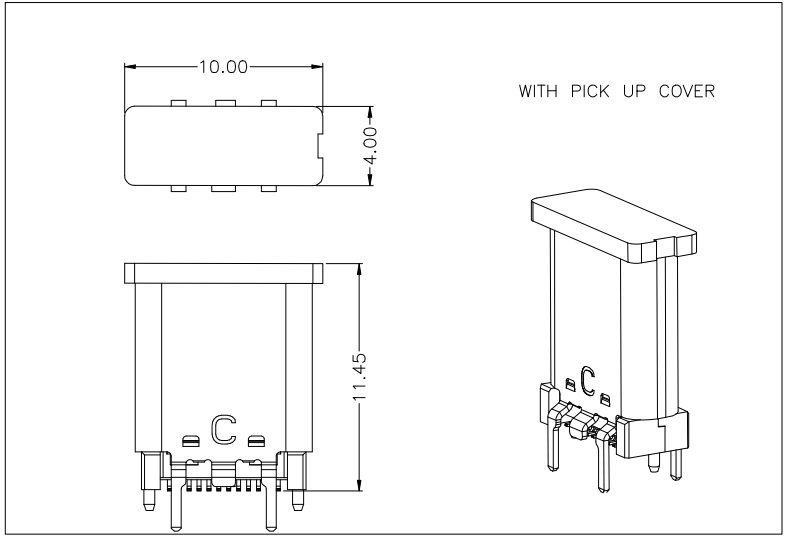
NOTE:

- 1.MATERIAL SPECIFICATION:
  - 1.HOUSING:HIGH TEMPERATURE RESISTANT PLASTIC(LCP),UL94 V-0.
  - 2.CONTACTS:COPPER ALLOY(C18150)T=0.12mm
  - 3.MID PLATE: STAINLESS STEEL(SUS301)T=0.15mm
  - 4.EMI PLATE: STAINLESS STEEL(SUS301)T=0.10mm
  - 5.SHELL: STAINLESS STEEL(SUS304)T=0.30mm
- 2.PLATING SPECIFICATION:
  - 2-1.CONTACTS:
    - Ni 50u" MIN. UNDER PLATED OVER ALL.
    - Au PLATED ON THE FUNCTIONAL AREA OF CONTACT.
    - (GOLD PLATING THICKNESS FOLLOW THE P/N)
    - Sn PLATED ON THE SOLDER AREA OF CONTACT.
  - 2-2.SHELL:
    - Ni 30u" MIN. UNDER PLATED OVER ALL.
  - 2-3.MID PLATE:
    - CLEAR ONLY
  - 2-4.EMI PLATE:
    - CLEAR ONLY
- 3.MECHANICAL PERFORMANCE,
  - 3-1.INSERTION FORCE: 5~20N.
  - 3-2.REMOVAL FORCE: 8~20N,6~20N AFTER TEST;
  - 3-3.DURABILITY: 10000 CYCLES.
- 4.ELECTRICAL PERFORMANCE,
  - 4-1. CURRENT RATING:5.0A  
VOLTAGE RATING:5.0V
  - 4-2. LLCR:
    - VBUS & GND PINS AND OTHER PINS: 40mΩ/PIN MAX.
    - SHIELD: 50mΩ/MAX.
    - LLCR MAX. CHANGE OF ALL PINS: 10mΩ.
  - 4-3.INSULATION RESISTANCE: 100MΩ MIN
  - 4-4.DIELECTRIC WITHSTAND VOLTAGE,AC 100V FOR 1 MINUTE.
5. ENVIRONMENTAL PERFORMANCE:
  - OPERATING TEMPERATURE: -25°C~+85°C.
- 6.IR REFLOW:
  - THE PEAK TEMPERATURE ON THE BOARD SHALL BE MAINTAINED FOR 10 SECONDS AT 260°C.

| Item | Title          | Material                 | Dispose  | Remark |
|------|----------------|--------------------------|--|--------|
| 1    | Shell          | Stainless Steel          | Ni:30u" Min.                                   |        |
| 2    | GND Plate      | Stainless Steel          | Clear Only                                     |        |
| 3    | Mid Plate      | Stainless Steel          | Clear Only                                     |        |
| 4    | Top Contact    | Copper Alloy             | Mating Area: See P/N<br>Solder Tails: Matt Tin |        |
| 5    | Bottom Contact | Copper Alloy             |  |        |
| 6    | Insulator      | High Temperature Plastic | UL 94V-0                                       | Black  |

|                       |        |                               |  |  |  |
|-----------------------|--------|-------------------------------|--|--|--|
| TOLERANCE UNSPECIFIED |        | <br>a vital connector company |  | FOR YOUR VITAL CONNECTION                              |  |
| .0                    | ±0.38  |                               |  | TITLE: USB 3.1 TYPE C FEMALE VERTICAL H10.4mm SMT TYPE |  |
| .00                   | ±0.25  | DRAWN BY: BECKER              |  | PART NO: UC41D3XLB07                                   |  |
| .000                  | ±0.10  | CHECKED BY: VTA               |  | REV: A   |  |
| ANGLE                 | ±3.00° | APPROVED BY: QPF              |  | FCN: B1  |  |
| MANUFACTURING COPY    |        | PROJECTION                    |  | <br>http://www.vitalconn.com                           |  |

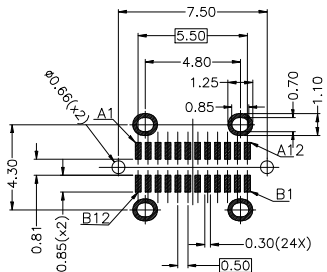
| REV. | ECN. NO. | NAME | DATE |
|------|----------|------|------|
|      |          |      |      |



AFTER MATING

USB TYPE-C PIN ASSIGNMENTS

| PIN NUMBER | SIGNAL NAME | PIN NUMBER | SIGNAL NAME |
|------------|-------------|------------|-------------|
| A1         | GND         | B12        | GND         |
| A2         | SSTXp1      | B11        | SSRXp1      |
| A3         | SSTXn1      | B10        | SSRXn1      |
| A4         | Vbus        | B9         | Vbus        |
| A5         | CC1         | B8         | SBU2        |
| A6         | Dp1         | B7         | Dn2         |
| A7         | Dn1         | B6         | Dp2         |
| A8         | SBU1        | B5         | CC2         |
| A9         | Vbus        | B4         | Vbus        |
| A10        | SSRXn2      | B3         | SSTXn2      |
| A11        | SSRXp2      | B2         | SSTXp2      |
| A12        | GND         | B1         | GND         |



RECOMMENDED PCB LAYOUT(TOP VIEW)  
THICKNESS 2.0±0.10MM;DEFAULT TOLERANCE:±0.05

PART NO: UC41D3XLB06

RoHS Compliant

- 1-gold plated 1u"
- 2-gold plated 3u"
- 3-gold plated 6u"
- 4-gold plated 15u"
- 5-gold plated 20u"
- 6-gold plated 30u"
- 7-gold plated 50u"

|                       |        |  |  |   |             |
|-----------------------|--------|--|--|---|-------------|
| TOLERANCE UNSPECIFIED |        | <br><b>VITALCON</b><br>a vital connector company |  | FOR YOUR VITAL CONNECTION                                       |             |
| .0                    | ±0.38  |  |  | TITLE: USB 3.1 TYPE C FEMALE VERTICAL H10.4mm SMT TYPE          |             |
| .00                   | ±0.25  | DRAWN BY: BECKER                                 |  | PART NO: UC41D3XLB07  | REV: A      |
| .000                  | ±0.10  | CHECKED BY: VTA                                  |  | SIZE: A4  | UNIT: mm    |
| ANGLE                 | ±3.00° | APPROVED BY: QPF                                 |  | PROJECTION  | SHEET: 20F2 |
| MANUFACTURING COPY    |        |  |  | FCN: B1   |             |
|                       |        |  |  | <a href="http://www.vitalconn.com">http://www.vitalconn.com</a> |             |