

PART NO: UC41D3XLB08

RoHS Compliant

- 1-gold plated 1u"
- 2-gold plated 3u"
- 3-gold plated 6u"
- 4-gold plated 15u"
- 5-gold plated 20u"
- 6-gold plated 30u"
- 7-gold plated 50u"

REV.	ECN. NO.	NAME	DATE

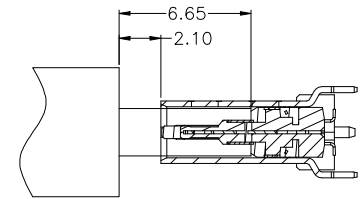
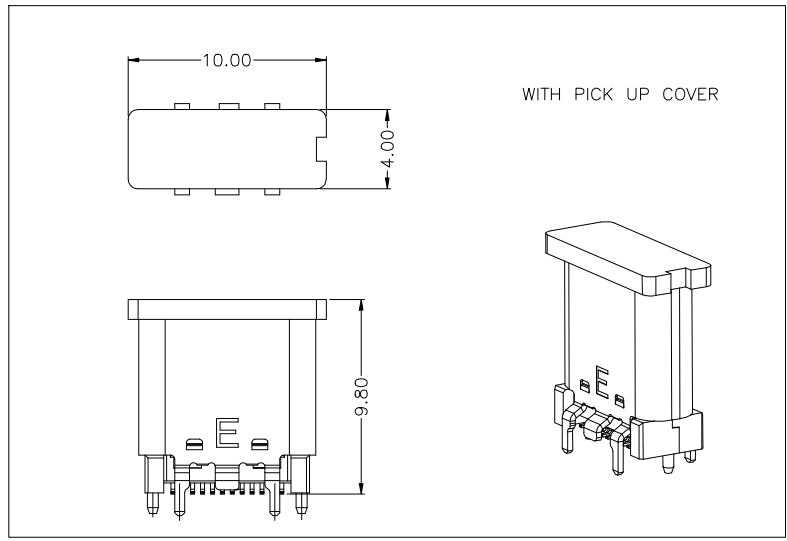
NOTE:

- 1.MATERIAL SPECIFICATION:
 - 1.HOUSING:HIGH TEMPERATURE RESISTANT PLASTIC(LCP),UL94 V-0.
 - 2.CONTACTS:COPPER ALLOY(C18150)T=0.12mm
 - 3.MID PLATE: STAINLESS STEEL(SUS301)T=0.15mm
 - 4.EMI PLATE: STAINLESS STEEL(SUS301)T=0.10mm
 - 5.SHELL: STAINLESS STEEL(SUS304)T=0.30mm
- 2.PLATING SPECIFICATION:
 - 2-1.CONTACTS:
 - Ni 50u" MIN. UNDER PLATED OVER ALL.
 - Au PLATED ON THE FUNCTIONAL AREA OF CONTACT.
 - (GOLD PLATING THICKNESS FOLLOW THE P/N)
 - Sn PLATED ON THE SOLDER AREA OF CONTACT.
 - 2-2.SHELL:
 - Ni 30u" MIN. UNDER PLATED OVER ALL.
 - 2-3.MID PLATE:
 - CLEAR ONLY
 - 2-4.EMI PLATE:
 - CLEAR ONLY
- 3.MECHANICAL PERFORMANCE,
 - 3-1.INSERTION FORCE: 5~20N.
 - 3-2.REMOVAL FORCE: 8~20N,6~20N AFTER TEST;
 - 3-3.DURABILITY: 10000 CYCLES.
- 4.ELECTRICAL PERFORMANCE,
 - 4-1. CURRENT RATING:5.0A
VOLTAGE RATING:5.0V
 - 4-2. LLCR:
 - VBUS & GND PINS AND OTHER PINS: 40mΩ/PIN MAX.
 - SHIELD: 50mΩ/MAX.
 - LLCR MAX. CHANGE OF ALL PINS: 10mΩ.
 - 4-3.INSULATION RESISTANCE: 100MΩ MIN
 - 4-4.DIELECTRIC WITHSTAND VOLTAGE,AC 100V FOR 1 MINUTE.
5. ENVIRONMENTAL PERFORMANCE:
 - OPERATING TEMPERATURE: -25°C~+85°C.
- 6.IR REFLOW:
 - THE PEAK TEMPERATURE ON THE BOARD SHALL BE MAINTAINED FOR 10 SECONDS AT 260°C.

Item	Title	Material	Dispose	Remark
1	Shell	Stainless Steel	Ni:30u" Min.	
2	GND Plate	Stainless Steel	Clear Only	
3	Mid Plate	Stainless Steel	Clear Only	
4	Top Contact	Copper Alloy	Mating Area: See P/N	
5	Bottom Contact	Copper Alloy	Solder Tails: Matt Tin	
6	Insulator	High Temperature Plastic	UL 94V-0	Black

TOLERANCE UNSPECIFIED		 a vital connector company		FOR YOUR VITAL CONNECTION	
.0	± 0.38				
.00	± 0.25	TITLE: USB 3.1 TYPE C FEMALE VERTICAL H8.75mm SMT TYPE			
.000	± 0.10	DRAWN BY:	BECKER	PART NO:	UC41D3XLB08
ANGLE	± 3.00°	CHECKED BY:	VTA	SIZE: A4	UNIT: mm
MANUFACTURING COPY		APPROVED BY:	QPF	PROJECTION	 http://www.vitalconn.com
				SHEET: 10F2	REV: A
				FCN: B1	

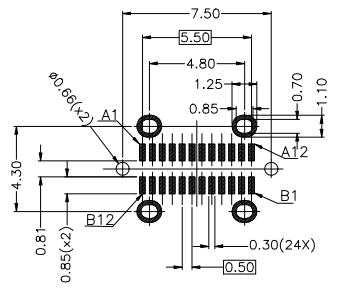
REV.	ECN. NO.	NAME	DATE



AFTER MATING

USB TYPE-C PIN ASSIGNMENTS

PIN NUMBER	SIGNAL NAME	PIN NUMBER	SIGNAL NAME
A1	GND	B12	GND
A2	SSTXp1	B11	SSRXp1
A3	SSTXn1	B10	SSRXn1
A4	Vbus	B9	Vbus
A5	CC1	B8	SBU2
A6	Dp1	B7	Dn2
A7	Dn1	B6	Dp2
A8	SBU1	B5	CC2
A9	Vbus	B4	Vbus
A10	SSRXn2	B3	SSTXn2
A11	SSRXp2	B2	SSTXp2
A12	GND	B1	GND


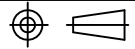


RECOMMENDED PCB LAYOUT(TOP VIEW)
THICKNESS 1.5±0.10MM;DEFAULT TOLERANCE:±0.05

PART NO: UC41D3XLB08

RoHS Compliant

- 1-gold plated 1u"
- 2-gold plated 3u"
- 3-gold plated 6u"
- 4-gold plated 15u"
- 5-gold plated 20u"
- 6-gold plated 30u"
- 7-gold plated 50u"

TOLERANCE UNSPECIFIED		 a vital connector company		FOR YOUR VITAL CONNECTION	
.0	±0.38			TITLE: USB 3.1 TYPE C FEMALE VERTICAL H8.75mm SMT TYPE	
.00	±0.25	PART NO:		UC41D3XLB08	
.000	±0.10	CHECKED BY:		REV: A	
ANGLE	±3.00°	BECKER		SHEET: 20F2	
MANUFACTURING COPY		VTA		FCN: B1	
DRAWN BY:		QPF		PROJECTION	
				 http://www.vitalconn.com	