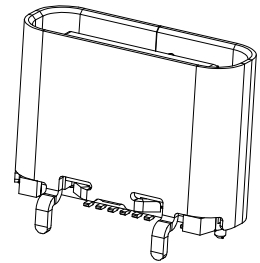
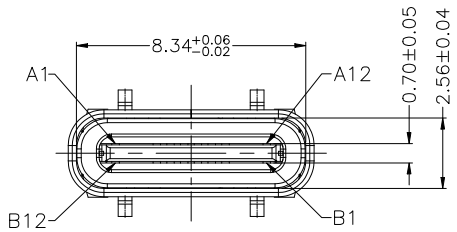


REV.	ECN. NO.	NAME	DATE

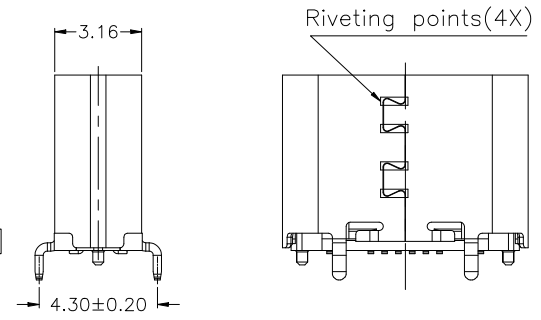
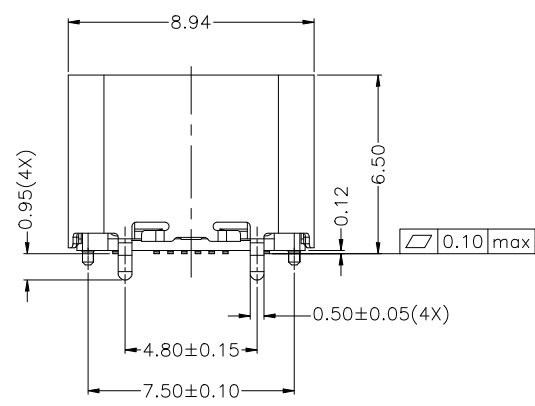


NOTE:
 1.MATERIAL SPECIFICATION:
 1-1.HOUSING:HIGH TEMPERATURE RESISTANT PLASTIC(LCP),
 UL94 V-0. COLOR:BLACK.
 1-2.CONTACTS:COPPER ALLOY(C18150)T=0.12mm
 1-3.MID PLATE: STAINLESS STEEL(SUS301)T=0.15mm
 1-4.SHELL: STAINLESS STEEL(SUS304)T=0.30mm

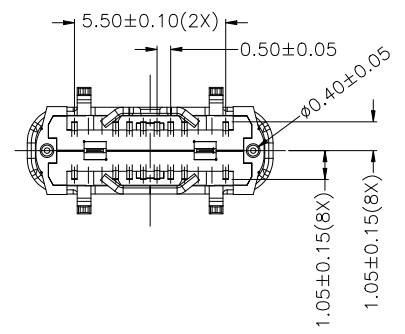
2.PLATING SPECIFICATION:
 2-1.CONTACTS:
 Ni 50u" MIN. UNDER PLATED OVER ALL.
 Au PLATED ON THE MATING AREA OF CONTACT.
 (GOLD PLATING THICKNESS FOLLOW THE P/N)
 2-2.SHELL:
 Ni 30u" MIN. UNDER PLATED OVER ALL.
 2-3.MID PLATE:
 CLEAR ONLY

3.MECHANICAL PERFORMANCE,
 3-1.INSERTION FORCE: 0.5~2.0kgf.
 3-2.EXTRACTION FORCE: 0.8kgf~2.0kgf.
 0.6kgf~2.0kgf. AFTER DURABILITY TEST.
 3-3.DURABILITY: 10000 CYCLES.
 4.ELECTRICAL PERFORMANCE,
 4-1. CURRENT RATING:5.0A
 VOLTAGE RATING:5.0V
 4-2. LLCR:
 VBUS & GND PINS AND OTHER PINS: 40mΩ/PIN MAX.
 SHIELD: 50mΩ/MAX.
 LLCR MAX. CHANGE OF ALL PINS: 10mΩ.
 4-3.INSULATION RESISTANCE: 100MΩ MIN
 4-4.DIELECTRIC WITHSTAND VOLTAGE,AC 100V FOR 1 MINUTE.

5. ENVIRONMENTAL PERFORMANCE:
 OPERATING TEMPERATURE: -25°C~+85°C.
 6.IR REFLOW:
 THE PEAK TEMPERATURE ON THE BOARD SHALL
 BE MAINTAINED FOR 10 SECONDS AT 260°C.
 7. ROHS and HF COMPLIANT.



Item	Title	Material	Dispose	Remark
1	Shell	Stainless Steel	Ni:30u" Min.	/
2	Mid Plate	Stainless Steel	Clear Only	/
3	Top Contact	Copper Alloy	Mating Area: See P/N	/
4	Bottom Contact	Copper Alloy	Solder Tails: GF	/
5	Insulator	High Temperature Plastic	UL 94V-0	Black



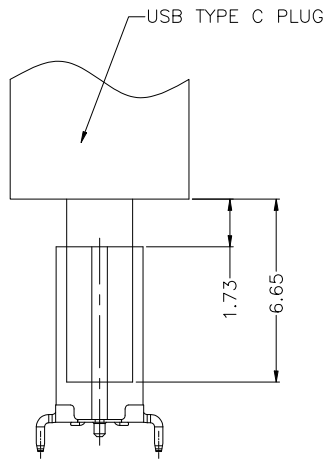
PART NO: UC41D3XLB09

RoHS Compliant

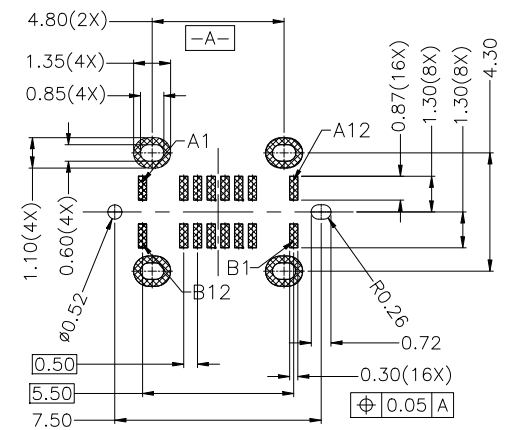
- 1-gold plated 1u"
- 2-gold plated 3u"
- 3-gold plated 6u"
- 4-gold plated 15u"
- 5-gold plated 20u"
- 6-gold plated 30u"
- 7-gold plated 50u"

TOLERANCE UNSPECIFIED		 VITALCON a vital connector company		FOR YOUR VITAL CONNECTION	
.0	±0.38			TITLE: USB C F 16PIN VERTICAL W/O EMI SPRING,H6.5	
.00	±0.25	DRAWN BY: BECKER		PART NO: UC41D3XLB09	REV: A
.000	±0.10	CHECKED BY: VTA		SIZE: A4	UNIT: mm
ANGLE	±3.00°	APPROVED BY: QPF		PROJECTION	SHEET: 10F2
MANUFACTURING COPY				FCN: B1	
				http://www.vitalconn.com	

REV.	ECN. NO.	NAME	DATE



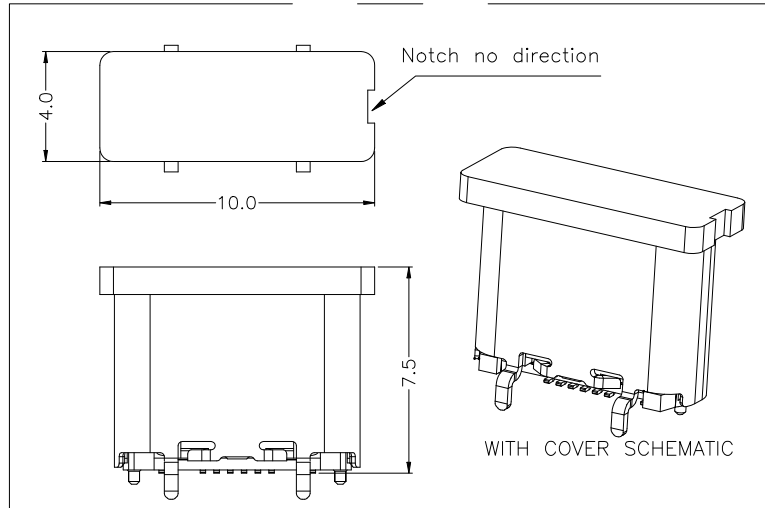
FEMALE AND MALE MATCHING DRAWING



THICKNESS 0.8±0.10MM;DEFAULT TOLERANCE:±0.05

USB TYPE-C PIN ASSIGNMENTS

PIN NUMBER	SIGNAL NAME	PIN NUMBER	SIGNAL NAME
A1	GND	B12	GND
A4	Vbus	B9	Vbus
A5	CC1	B8	SBU2
A6	Dp1	B7	Dn2
A7	Dn1	B6	Dp2
A8	SBU1	B5	CC2
A9	Vbus	B4	Vbus
A12	GND	B1	GND



PART NO: UC41D3XLB09

RoHS Compliant

- 1-gold plated 1u"
- 2-gold plated 3u"
- 3-gold plated 6u"
- 4-gold plated 15u"
- 5-gold plated 20u"
- 6-gold plated 30u"
- 7-gold plated 50u"

TOLERANCE UNSPECIFIED .0 ±0.38 .00 ±0.25 .000 ±0.10 ANGLE ±3.00° MANUFACTURING COPY	 VITALCON a vital connector company		FOR YOUR VITAL CONNECTION		
	TITLE: USB C F 16PIN VERTICAL W/O EMI SPRING,H6.5				
DRAWN BY:	BECKER	PART NO:	UC41D3XLB09	REV: A	
CHECKED BY:	VTA	SIZE: A4	UNIT: mm	SHEET: 20F2	FCN: B1
APPROVED BY:	QPF	PROJECTION		http://www.vitalconn.com	