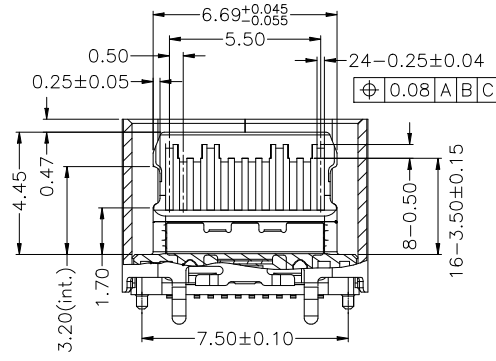
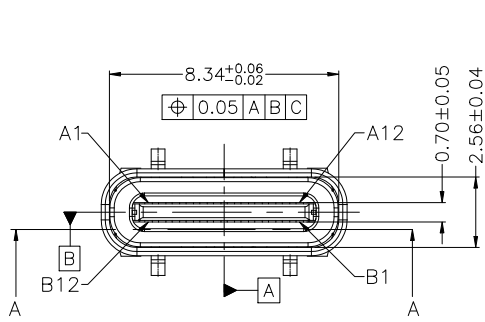
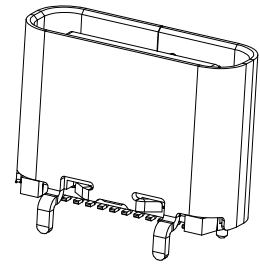
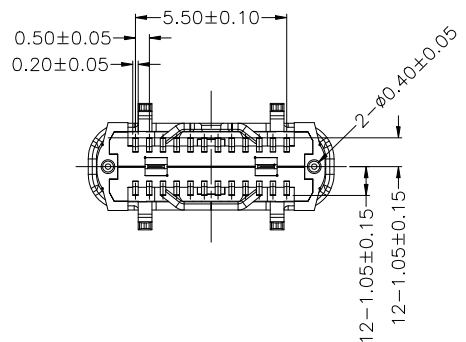
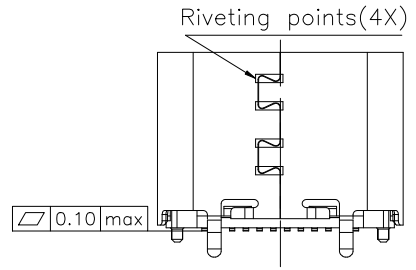
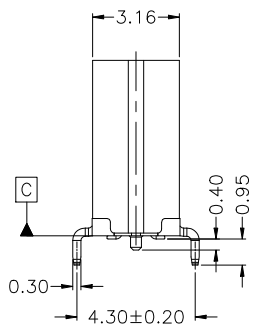
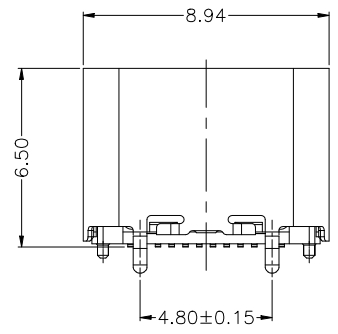


REV.	ECN. NO.	NAME	DATE



SECTION A-A
SCALE 1:1



PART NO: UC41D3XLB10

RoHS Compliant

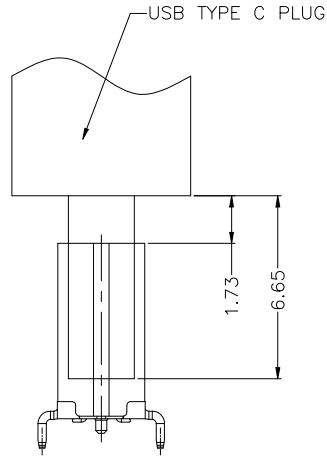
- 1-gold plated 1u"
- 2-gold plated 3u"
- 3-gold plated 6u"
- 4-gold plated 15u"
- 5-gold plated 20u"
- 6-gold plated 30u"
- 7-gold plated 50u"

NOTE:

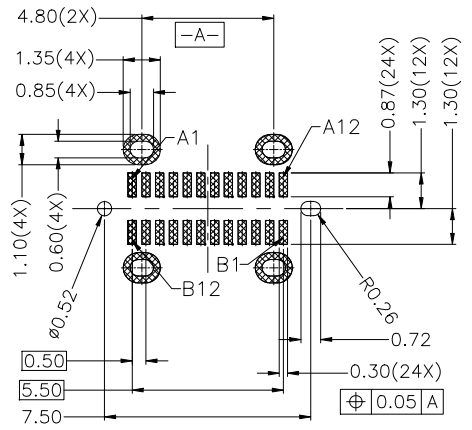
- MATERIAL SPECIFICATION:
 - HOUSING: HIGH TEMPERATURE RESISTANT PLASTIC(LCP), UL94 V-0. COLOR: BLACK.
 - CONTACTS: COPPER ALLOY(C18150)T=0.12mm
 - MID PLATE: STAINLESS STEEL(SUS301)T=0.15mm
 - EMI PLATE: STAINLESS STEEL(SUS301)T=0.10mm
 - SHELL: STAINLESS STEEL(SUS304)T=0.30mm
- PLATING SPECIFICATION:
 - CONTACTS:
 - 50u" MIN. UNDER PLATED OVER ALL. Au PLATED ON THE MATING AREA OF CONTACT. (GOLD PLATING THICKNESS FOLLOW THE P/N) GOLD FLASH PLATED ON THE SOLDER AREA. GOLD FLASH PLATING THICKNESS IS NOT REQUIRED.
 - SHELL:
 - 30u" MIN. UNDER PLATED OVER ALL.
 - MID PLATE: CLEAR ONLY
 - EMI PLATE: CLEAR ONLY
- MECHANICAL PERFORMANCE,
 - INSERTION FORCE: 0.5~2.0kgf.
 - EXTRACTION FORCE: 0.8kgf~2.0kgf. 0.6kgf~2.0kgf. AFTER DURABILITY TEST.
 - DURABILITY: 10000 CYCLES.
- ELECTRICAL PERFORMANCE,
 - CURRENT RATING: 5.0A VOLTAGE RATING: 5.0V
 - LLCR:
 - VBUS & GND PINS AND OTHER PINS: 40mΩ/PIN MAX. SHIELD: 50mΩ/MAX. LLCR MAX. CHANGE OF ALL PINS: 10mΩ.
 - INSULATION RESISTANCE: 100MΩ MIN
 - DIELECTRIC WITHSTAND VOLTAGE, AC 100V FOR 1 MINUTE.
- ENVIRONMENTAL PERFORMANCE:
 - OPERATING TEMPERATURE: -25°C~+85°C.
- IR REFLOW:
 - THE PEAK TEMPERATURE ON THE BOARD SHALL BE MAINTAINED FOR 10 SECONDS AT 260°C.
- ROHS and HF COMPLIANT.

TOLERANCE UNSPECIFIED		 a vital connector company		FOR YOUR VITAL CONNECTION	
.0	±0.38			TITLE: USB TYPE C FEMALE, VERTICAL TYPE SHELL H6.50mm	
.00	±0.25	DRAWN BY:	BECKER	PART NO:	UC41D3XLB10
.000	±0.10	CHECKED BY:	VTA	SIZE: A4	UNIT: mm
ANGLE	±3.00°	APPROVED BY:	QPF	PROJECTION	
MANUFACTURING COPY				SHEET: 10F2	FCN: B1
				http://www.vitalconn.com	

REV.	ECN. NO.	NAME	DATE



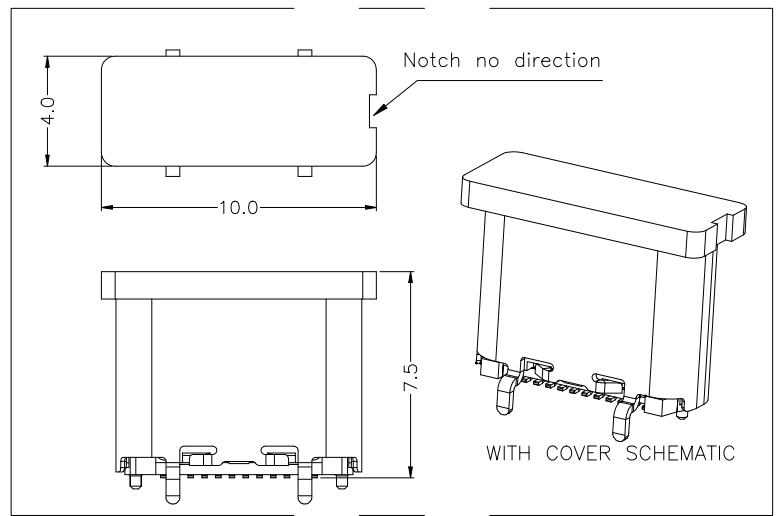
FEMALE AND MALE MATCHING DRAWING



RECOMMENDED PCB LAYOUT(TOP VIEW)
THICKNESS 0.8±0.10MM;DEFAULT TOLERANCE:±0.

USB TYPE-C PIN ASSIGNMENTS

PIN NUMBER	SIGNAL NAME	PIN NUMBER	SIGNAL NAME
A1	GND	B12	GND
A2	SSTXp1	B11	SSRXp1
A3	SSTXn1	B10	SSRXn1
A4	Vbus	B9	Vbus
A5	CC1	B8	SBU2
A6	Dp1	B7	Dn2
A7	Dn1	B6	Dp2
A8	SBU1	B5	CC2
A9	Vbus	B4	Vbus
A10	SSRXn2	B3	SSTXn2
A11	SSRXp2	B2	SSTXp2
A12	GND	B1	GND



WITH COVER SCHEMATIC

RoHS Compliant

TOLERANCE UNSPECIFIED		 a vital connector company		FOR YOUR VITAL CONNECTION	
.0	±0.38			TITLE: USB TYPE C FEMALE, VERTICAL TYPE SHELL H6.50mm	
.00	±0.25	DRAWN BY: BECKER		PART NO:	UC41D3XLB10
.000	±0.10	CHECKED BY: VTA		SIZE: A4	UNIT: mm
ANGLE	±3.00°	APPROVED BY: QPF		PROJECTION	
MANUFACTURING COPY		SHEET: 20F2		FCN: B1	http://www.vitalconn.com