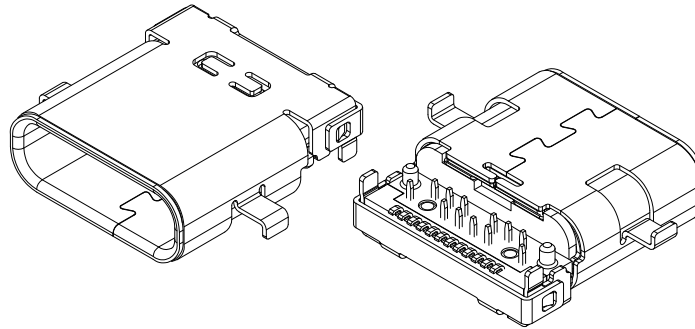
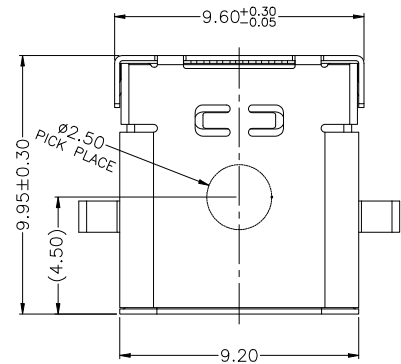


REV.	ECN. NO.	NAME	DATE

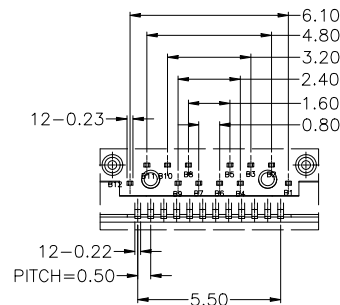
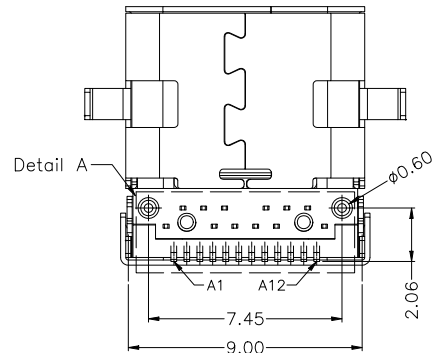
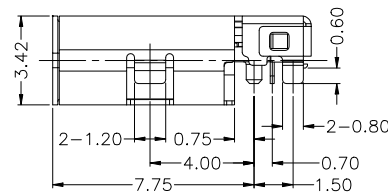
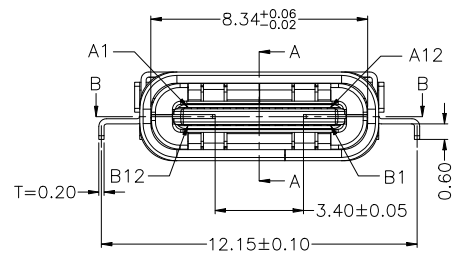


PART NO: UC4233XLB01

- 1-gold plated 1u"
- 2-gold plated 3u"
- 3-gold plated 6u"
- 4-gold plated 15u"
- 5-gold plated 20u"
- 6-gold plated 30u"
- 7-gold plated 50u"

NOTES:

- 1.MECHANICAL:  
 INSERTION: 5~20N.  
 EXTRACTION: 8~20N.  
 DURABILITY: 10000 CYCLES
- 2.ELECTRICAL:  
 CURRENT: 5A MIN FOR VBUS;  
 0.25A MIN FOR OTHER.  
 VOLTAGE: 20 V MAX  
 WITHSTANDING VOLTAGE: 100V AC.  
 CONTACT RESISTANCE: 40mΩ MAX.  
 INSULATION RESISTANCE: 100MΩ MIN.
- 3.ENVIRONMENTAL  
 TEMPERATURE RANGE -55°C ~ +85°C

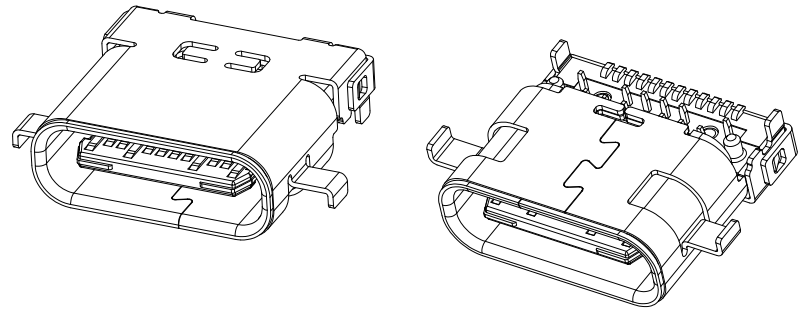


Item	Title	Material	Dispose	Q'TY
1	Terminal	Copper Alloy	Mating Area:See P/N Solder Tails:Au	24PCS
2	Housing	HIGH TEMPERATURE PLASTIC	Black,UL94V-0	1PCS
3	Shell	Stainless Steel	Plating Ni	1PCS
4	Shield	Stainless Steel	Clear Only	1PCS

TOLERANCE UNSPECIFIED .0 ±0.38 .00 ±0.25 .000 ±0.10 ANGLE ±3.00° MANUFACTURING COPY		<b>VITALCON</b> a vital connector company		FOR YOUR VITAL CONNECTION	
TITLE: USB 3.1 C TYPE FEMALE SINK CONNECTOR CLO.28					
DRAWN BY:	BECKER	PART NO:	UC4233XLB01	REV: A	
CHECKED BY:	VTA	SIZE: A4	UNIT: mm	SHEET: 10F2	FCN: B1
APPROVED BY:	QPF	PROJECTION		http://www.vitalconn.com	

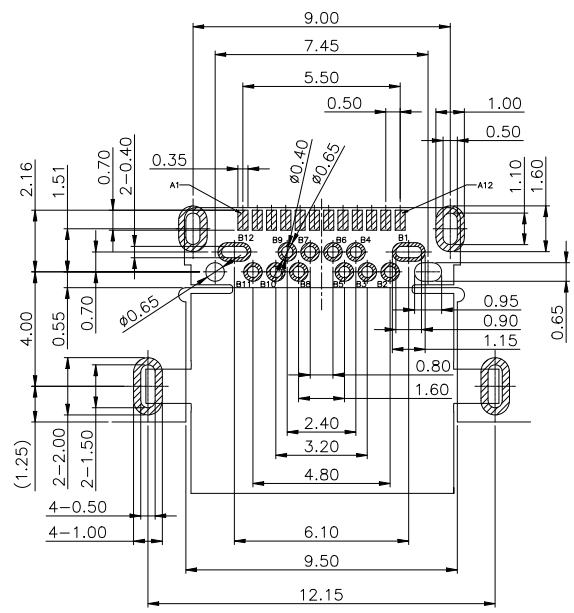
RoHS Compliant

REV.	ECN. NO.	NAME	DATE



USB TYPE-C FULL-FEATURED RECEPTACLE INTERFACE PIN ASSIGNMENTS

PIN	Signal Name	Description	PIN	Signal Name	Description
A1	GND	Ground return	B12	GND	Ground return
A2	SSTXp1	Positive half of first SuperSpeed TX differential pair	B11	SSRXp1	Positive half of first SuperSpeed RX differential pair
A3	SSTXn1	Negative half of first SuperSpeed TX differential pair	B10	SSRXn1	Negative half of first SuperSpeed RX differential pair
A4	Vbus	Bus Power	B9	Vbus	Bus Power
A5	CC1	Configuration Channel	B8	SBU2	Sideband Use (SBU)
A6	Dp1	Positive half of the USB 2.0 differential pair-Position 1	B7	Dn2	Negative half of the USB 2.0 differential pair-Position 2
A7	Dn1	Negative half of the USB 2.0 differential pair-Position 1	B6	Dp2	Positive half of the USB 2.0 differential pair-Position 2
A8	SBU1	Sideband Use (SBU)	B5	CC2	Configuraaion Channel
A9	Vbus	Bus Power	B4	Vbus	Bus Power
A10	SSRXn2	Negative half of second SuperSpeed RX differential pair	B3	SSTXn2	Negative half of second SuperSpeed TX differential pair
A11	SSRXp2	Positive half of second SuperSpeed RX differential pair	B2	SSTXp2	Positive half of second SuperSpeed TX differential pair
A12	GND	Ground return	B1	GND	Ground return



RECOMMEND P.C.B LAYOUT (COMPONENT SIDE)  
 TOLERANCE FOR PCB LAYOUT IS ± 0.05  
 KEEP OUT AREA

RoHS Compliant

TOLERANCE UNSPECIFIED .0 ± 0.38 .00 ± 0.25 .000 ± 0.10 ANGLE ± 3.00° MANUFACTURING COPY	 a vital connector company		FOR YOUR VITAL CONNECTION	
	TITLE: USB 3.1 C TYPE FEMALE SINK CONNECTOR CLO.28			
DRAWN BY:	BECKER	PART NO:	UC4233XLB01	REV: A
CHECKED BY:	VTA	SIZE: A4	UNIT: mm	SHEET: 20F2 FCN: B1
APPROVED BY:	QPF	PROJECTION		<a href="http://www.vitalconn.com">http://www.vitalconn.com</a>