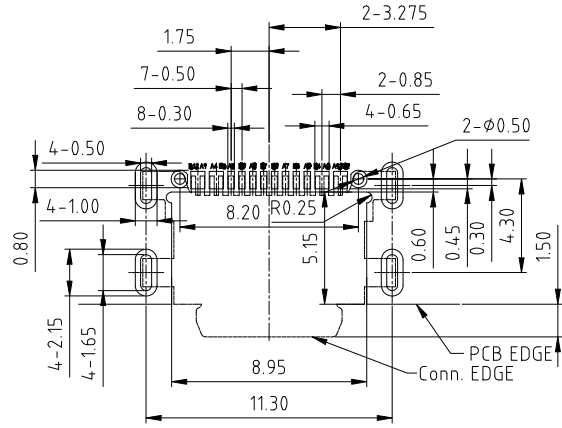
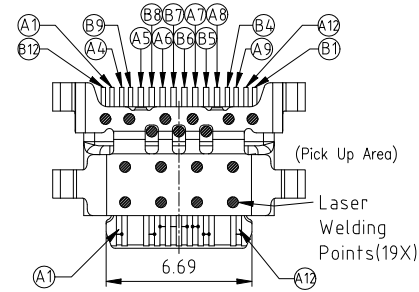
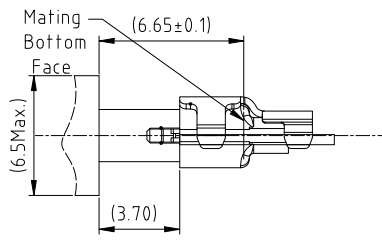
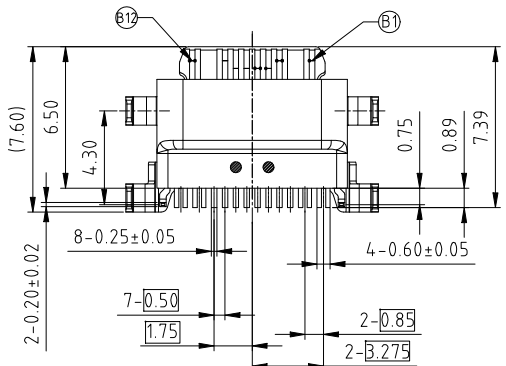
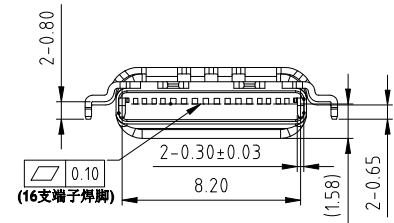
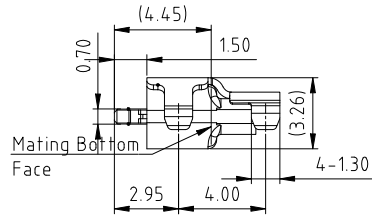
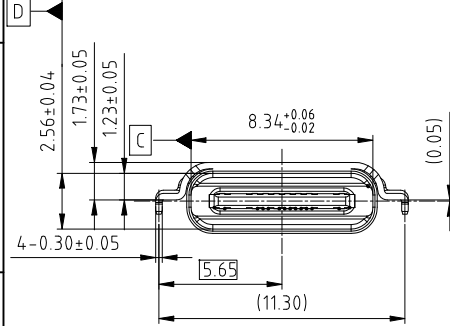


REV.	ECN. NO.	NAME	DATE



RECOMMENDED PCB LAYOUT  
TOLERANCE:±0.05  
(建议使用刷Sn钢板厚度0.12mm)



Pin Assignments			
Contact Number	Signal Name	Contact Number	Signal Name
A1	GND	B12	GND
A4	VBUS	B9	VBUS
A5	CC1	B8	SBU2
A6	Dp1	B7	Dn2
A7	Dn1	B6	Dp2
A8	SBU1	B5	CC2
A9	VBUS	B4	VBUS
A12	GND	B1	GND

- NOTES:
- MATERIAL SPECIFICATION:
    - HOUSING: High-Temp Plastics, UL94V-0, Color: Black.
    - CONTACTS: Copper Alloy T=0.25mm.
    - OUTER SHELL: Stainless Steel, T=0.30mm.
    - INNER SHELL: Stainless Steel, T=0.20mm.
    - MID-PLATE: Stainless Steel, T=0.20mm.
    - SOLDER-PLATE: Stainless Steel, T=0.10mm.
  - PLATING SPECIFICATION:
    - CONTACTS: Ni UNDERPLATED OVER ALL; Gold Plated On Contact Area; Gold Flash Plated On Solder Area.
    - SHELL: Ni UNDERPLATED OVER ALL; Gold Flash Plated ON Solder Leg.
  - RoHS AND HF COMPLIANT.
  - MECHANICAL PERFORMANCE:
    - MATING FORCE: 6~20N (Initial); 5~20N (After)
    - UNMATING FORCE: 8~20N (Initial); 6~20N (After)
    - DURABILITY: 10000 CYCLES.
  - ELECTRICAL PERFORMANCE:
    - CURRENT RATING: 3.0A; VOLTAGE RATING: 5.0V
    - LLCR: VBUS & GND PINS: 40mΩ/PIN MAX.; OTHERS PINS: 40mΩ/PIN MAX.; LLCR MAX. CHANGE OF ALL PINS: 10mΩ.
    - INSULATION RESISTANCE: 100MΩ MIN.
    - DIELECTRIC WITHSTANDING VOLTAGE: 100V AC FOR 1 MINUTE.
  - ENVIRONMENTAL PERFORMANCE: OPERATING TEMPERATURE: -20℃~+85℃.
  - RECOMMENDED PROCESS: THE PEAK TEMPERATURE ON THE BOARD SHALL MAINTAIN 10±1 SECONDS AT 260±5℃.
  - Waterproofing Grade: IPX4

RoHS Compliant

TOLERANCE UNSPECIFIED		 a vital connector company		FOR YOUR VITAL CONNECTION	
.0	± 0.38			TITLE: USB C TYPE SMT IPX4 CONN	
.00	± 0.25	DRAWN BY: BECKER		PART NO: UC42731LB05	REV: A
.000	± 0.10	CHECKED BY: VTA		SIZE: A4	UNIT: mm
ANGLE	± 3.00°	APPROVED BY: QPF		PROJECTION	SHEET: 10F1
MANUFACTURING COPY					FCN: B1
				<a href="http://www.vitalconn.com">http://www.vitalconn.com</a>	