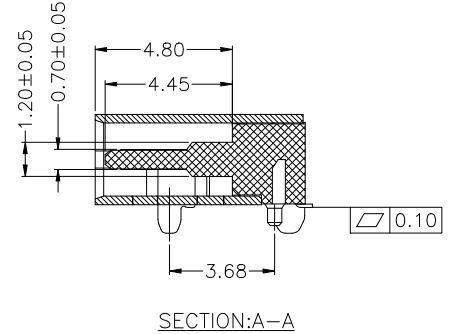
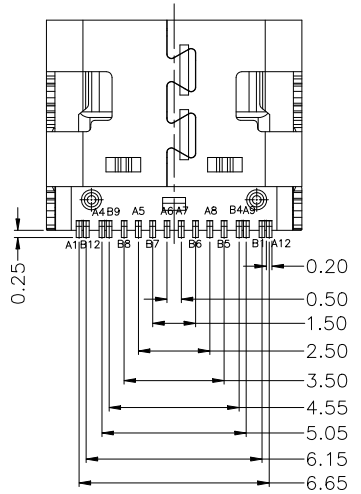
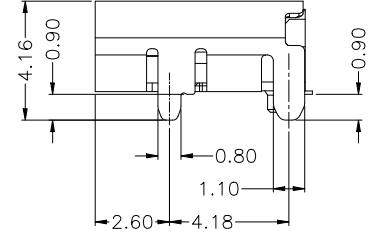
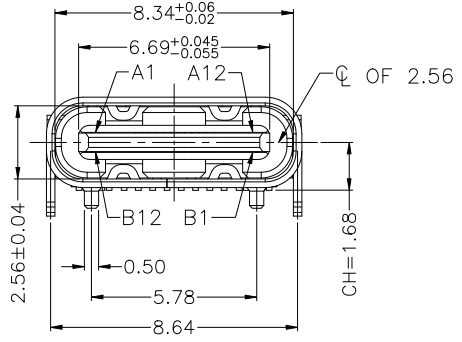
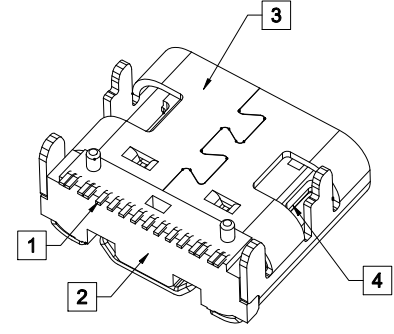
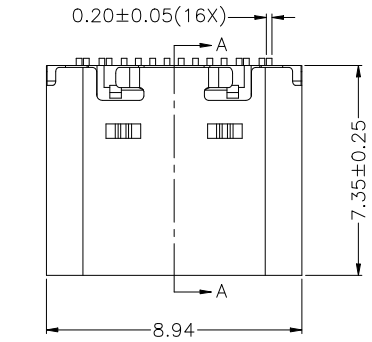


REV.	ECN. NO.	NAME	DATE



PART NO: UC4273XLB04

- 1-gold plated 1u"
- 2-gold plated 3u"
- 3-gold plated 6u"
- 4-gold plated 15u"
- 5-gold plated 20u"
- 6-gold plated 30u"
- 7-gold plated 50u"

NOTE:

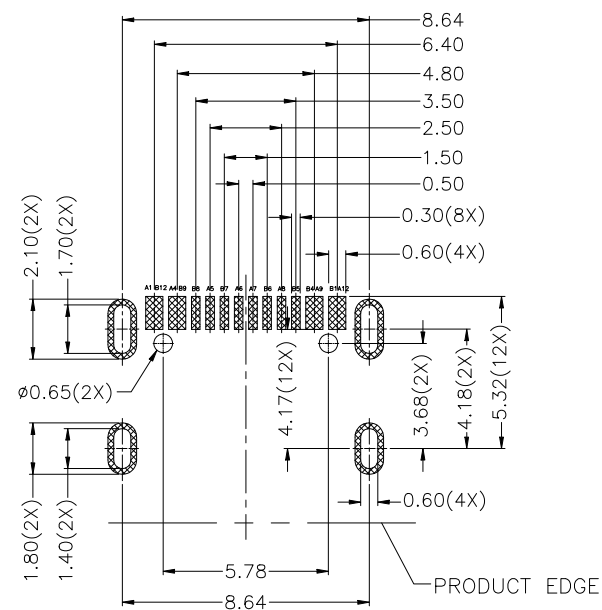
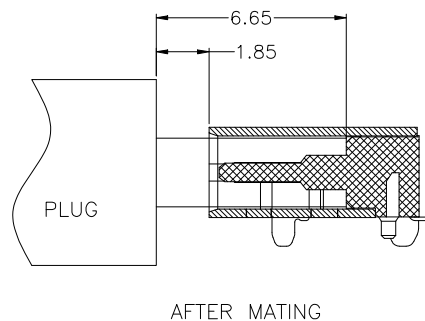
- PLATING SPECIFICATION:
 - CONTACTS:
 - Ni 50u" MIN. UNDER PLATED OVER ALL.
 - Au PLATED ON THE FUNCTIONAL AREA OF CONTACT. (GOLD PLATING THICKNESS FOLLOW THE P/N)
 - FRONT SHELL:
 - Ni 30u" MIN. UNDER PLATED OVER ALL.
 - SHIELD PLATE&EMI PLATE: CLEAR ONLY
- MECHANICAL PERFORMANCE,
 - INSERTION FORCE: 0.5~2.0kgf.
 - EXTRACTION FORCE: 0.8kgf~2.0kgf.
 - DURABILITY: 10000 CYCLES.
- ELECTRICAL PERFORMANCE,
 - CURRENT RATING:5.0A
VOLTAGE RATING:5.0V
 - LLCR:
 - VBUS & GND PINS AND OTHER PINS: 40mΩ/PIN MAX.
 - SHIELD: 50mΩ/MAX.
 - LLCR MAX. CHANGE OF ALL PINS: 10mΩ.
 - INSULATION RESISTANCE: 100MΩ MIN
 - DIELECTRIC WITHSTAND VOLTAGE,AC 100V FOR 1 MINUTE.
- ENVIRONMENTAL PERFORMANCE:
 - OPERATING TEMPERATURE: -25°C~+85°C.
- IR REFLOW:
 - THE PEAK TEMPERATURE ON THE BOARD SHALL BE MAINTAINED FOR 10 SECONDS AT 260°C.

Item	Title	Material	Dispose	Q'TY
1	Terminal	Copper Alloy	Mating Area:See P/N Solder Tails:Au	16PCS
2	Housing	HIGH TEMPERATURE PLASTIC	Black,UL94V-0	1PCS
3	Shell	Stainless Steel	Plating Ni	1PCS
4	Mid plate	Stainless Steel	Clear Only	1PCS

RoHS Compliant

TOLERANCE UNSPECIFIED		 a vital connector company		FOR YOUR VITAL CONNECTION	
.0	±0.38			TITLE: USB C TYPE SMT 7.35 CONN WITH POST	
.00	±0.25	DRAWN BY: BECKER		PART NO: UC4273XLB04	
.000	±0.10	CHECKED BY: VTA		REV: A	
ANGLE	±3.00°	APPROVED BY: QPF		SHEET: 10F2	
MANUFACTURING COPY		PROJECTION		FCN: B1	
				 http://www.vitalconn.com	

REV.	ECN. NO.	NAME	DATE



*RECOMMENDED PCB LAYOUT(TOP VIEW)
THICKNESS 0.80MM;DEFAULT TOLERANCE:±0.05*

USB TYPE-C PIN ASSIGNMENTS

PIN NUMBER	SIGNAL NAME	PIN NUMBER	SIGNAL NAME
A1	GND	B12	GND
A4	VBUS	B9	VBUS
A5	CC1	B8	SBU2
A6	Dp1	B7	Dn2
A7	Dn1	B6	Dp2
A8	SBU1	B5	CC2
A9	VBUS	B4	VBUS
A12	GND	B1	GND

RoHS Compliant

TOLERANCE UNSPECIFIED .0 ±0.38 .00 ±0.25 .000 ±0.10 ANGLE ±3.00° MANUFACTURING COPY		VITALCON a vital connector company		FOR YOUR VITAL CONNECTION	
TITLE: USB C TYPE SMT 7.35 CONN WITH POST					
DRAWN BY:	BECKER	PART NO:	UC4273XLB04	REV: A	
CHECKED BY:	VTA	SIZE: A4	UNIT: mm	SHEET: 20F2	FCN: B1
APPROVED BY:	QPF	PROJECTION		http://www.vitalconn.com	