

**4-BIT SINGLE CHIP MICROCOMPUTERS**

**DESCRIPTION** The μCOM-44 4-bit single chip microcomputers described below comprise the medium-performance portion of the μCOM-4 Microcomputer Family. They are distinguished from other μCOM-4 products by their ROM and RAM, and their extensive 35 line I/O capability.

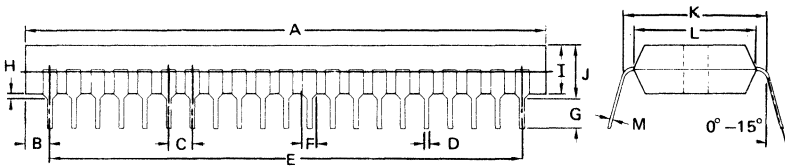
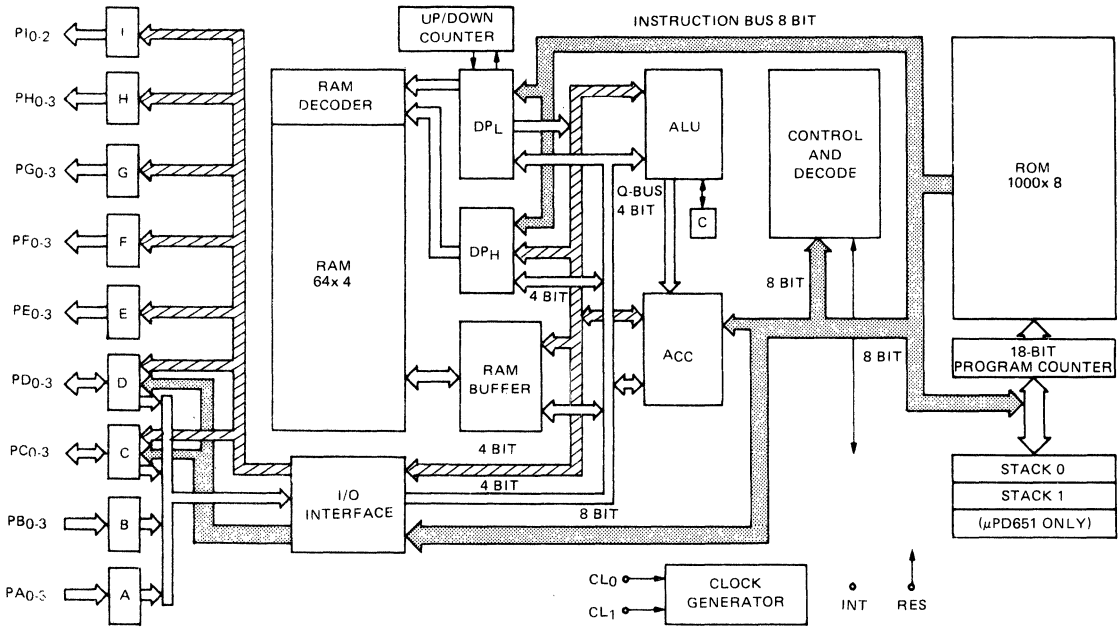
- FEATURES**
- 1000 x 8 ROM
  - 64 x 4 RAM
  - 10 μs Instruction Cycle Time, Typical
  - 58 Powerful Instructions
    - Table Look-Up Capability with CZP and JPA Instructions
    - Single Bit Manipulation of RAM or I/O Ports
  - 1-Level Subroutine Stack (μPD651 has a 2-Level Stack)
  - Extensive I/O Capability
    - Two 4-Bit Input Ports
    - Two 4-Bit I/O Ports
    - Four 4-Bit Output Ports
    - One 3-Bit Output Port
  - Software Testable Interrupt
  - Built-In Clock Signal Generation Circuitry
  - Built-In RESET Circuitry
  - Single Power Supply
  - Low Power Consumption
  - PMOS or CMOS Technologies
  - 42-Pin Plastic DIP
  - Choice of 5 Different Products to Suit a Variety of Applications



Part #	Technology	Power Supply	Package	Features
μPD547	PMOS	-10V	42-pin DIP	
μPD547L	PMOS	-8V	42-pin DIP	
μPD552	PMOS	-10V	42-pin DIP	35V Vacuum Fluorescent Display Drive
μPD651C	CMOS	+5V	42-pin DIP	
μPD651G	CMOS	+5V	52-pin Flat Plastic	

# μCOM-44

## μCOM-44 BLOCK DIAGRAM

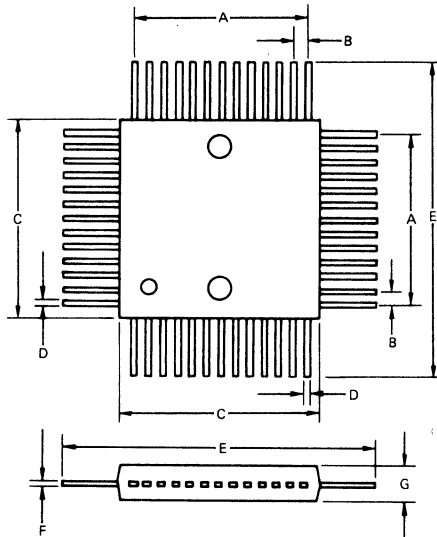


## μCOM-44 PACKAGE OUTLINES

42-PIN DIP  
 μPD547  
 μPD547L  
 μPD552  
 μPD651C

ITEM	MILLIMETERS	INCHES
A	56.0 MAX	2.2 MAX
B	2.6 MAX	0.1 MAX
C	2.54	0.1
D	0.5 ± 0.1	0.02 ± 0.004
E	50.8	2.0
F	1.5	0.059
G	3.2 MIN	0.126 MIN
H	0.5 MIN	0.02 MIN
I	5.22 MAX	0.20 MAX
J	5.72 MAX	0.22 MAX
K	15.24	0.6
L	13.2	0.52
M	0.3 ± 0.1	0.01 ± 0.004

52-PIN FLAT PLASTIC  
PACKAGE  
μPD651G



ITEM	MILLIMETERS	INCHES
A	12.0 MAX.	0.47 MAX.
B	1.0 ± 0.1	0.04 ± 0.004
C	14.0	0.55
D	0.4	0.016
E	21.8 ± 0.4	0.86 ± 0.016
F	0.15	0.006
G	2.6	0.1