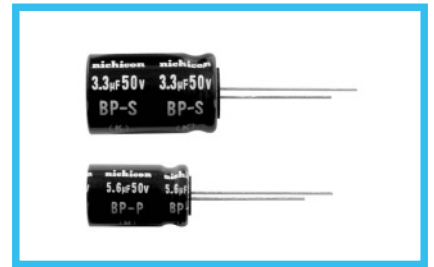


DB.GB series Bi-Polarized, For Speaker Network



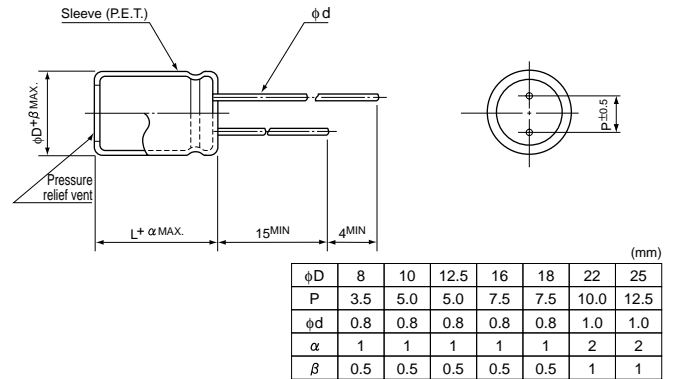
- Bi-polarized series.
- Designed specifically for crossover networks in Hi-Fi sound systems.
- Compliant to the RoHS directive (2002/95/EC).



Specifications

Performance Characteristics	DB series	GB series
Category Temperature Range	-40 to +85°C	-40 to +85°C
Rated Voltage Range	50V	50V
Rated Capacitance Tolerance	±20% at 1kHz	±10% at 1kHz
Leakage Current (After 5 minutes' application of rated voltage)	Leakage current is not more than 0.03CV or 3 (μA), whichever is greater.	
Tangent of loss angle (tan δ) (1 kHz) (5 kHz)	0.10 or less 0.15 or less	0.05 or less 0.05 or less
Allowable Continuous Current (8Ω - f _c)	Value in table or less	Value in table or less
Marking	Printed with white color letter on black sleeve.	

Radial Lead Type

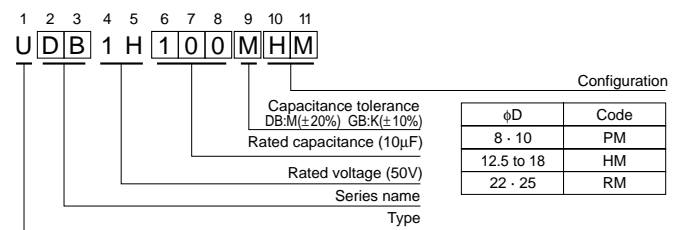


Dimensions

Cap. (μF)	Code	DB	GB	Rated ripple (mArms)		
		φD×L (mm)	φD×L (mm)	1H (50V)	Frequency (Hz)	DB
1	010	8×11.5	10×20	20k	205	760
1.5	1R5	8×11.5	12.5×20	13k	245	800
2.2	2R2	10×12.5	12.5×20	9k	320	820
3.3	3R3	10×16	16×25	6k	400	850
4.7	4R7	10×20	16×25	4.2k	480	890
6.8	6R8	12.5×20	16×31.5	2.9k	540	920
10	100	12.5×25	18×35.5	2k	600	970
15	150	12.5×25	22×40	1.3k	660	1040
22	220	16×25	22×40	900	740	1060
33	330	16×31.5	25×40	600	800	1120
47	470	18×35.5		420	1020	
68	680	22×40		290	1200	

• Please refer to page 20 about the end seal configuration.

Type numbering system (Example : DB series 50V 10μF)



Please refer to page 20, 21, 22 about the formed or taped product spec.
Please refer to page 4 for the minimum order quantity.