



## Zener diode

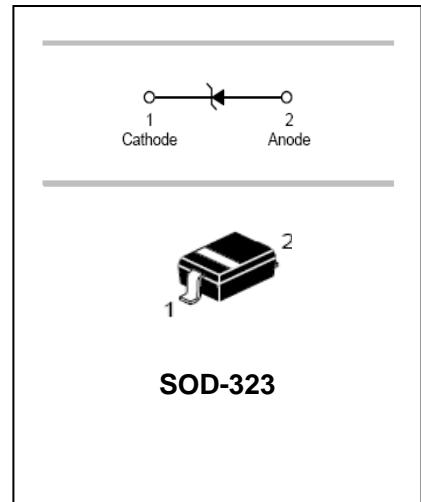
## UDZS5.1B-UDZS10B

### FEATURES

- Non-wire bonding structure improves
- High demand voltage range
- High demand voltage range (5.1V-10V) is manufactured on high-efficient non-wire bonding production line



Lead-free



### APPLICATIONS

- Zener diode
- Constant voltage control

### ORDERING INFORMATION

Type No.	Marking	Package Code
UDZS5.1B-UDZS10B	See table 2	SOD-323

### MAXIMUM RATING @ Ta=25°C unless otherwise specified

Characteristic	Symbol	Value	Unit
Power Dissipation	$P_d$	200	mW
Junction temperature	$T_j$	150	°C
Storage temperature range	$T_{stg}$	-55 to +150	°C

**Zener diode**

**UDZS5.1B-UDZS10B**

**ELECTRICAL CHARACTERISTICS @ Ta=25°C unless otherwise specified**

Type Number	Marking Code	Zener Voltage Range			Maximum Zener Impedance			Maximum Reverse Current	
		V <sub>Z</sub> @I <sub>ZT</sub>		I <sub>ZT</sub>	Z <sub>ZT</sub> @I <sub>ZT</sub>	Z <sub>ZK</sub> @I <sub>ZK</sub>	I <sub>ZK</sub>	I <sub>R</sub>	@V <sub>R</sub>
		Min(V)	Max(V)	mA	Ω		mA	μA	V
UDZ5.1B		4.908	5.2	5	80	500	0.5	2	1.5
UDZ5.6B		5.490	5.73	5	60	200	0.5	1	2.5
UDZ6.2B		6.060	6.33	5	60	100	0.5	1	3.0
UDZ6.8B		6.650	6.93	5	40	60	0.5	0.5	3.5
UDZ7.5B		7.280	7.6	5	30	60	0.5	0.5	4.0
UDZ8.2B		8.020	8.36	5	30	60	0.5	0.5	5.0
UDZ9.1B		8.850	9.23	5	30	60	0.5	0.5	6.0
UDZ10B		9.770	10.21	5	30	60	0.5	0.1	7.0

**TYPICAL CHARACTERISTICS @ Ta=25°C unless otherwise specified**

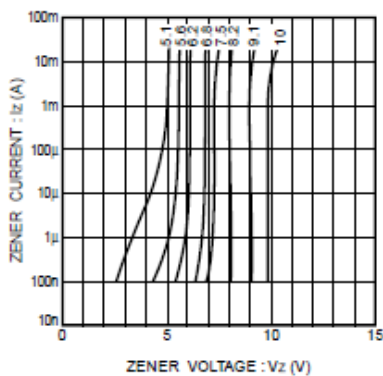


Fig.1 Zener voltage characteristics

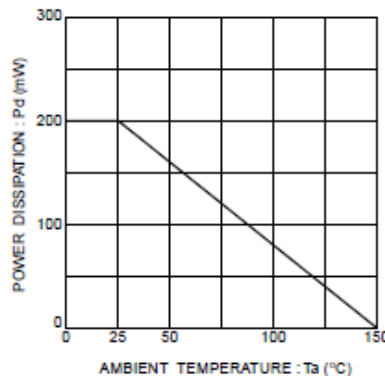


Fig.2 Derating curve

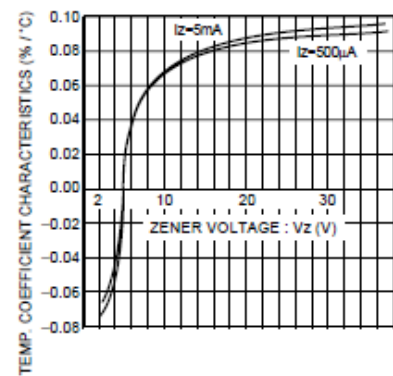


Fig.3 Zener voltage-temp. coefficient characteristics  
+UDZS series : V<sub>Z</sub> = 5.1V-10V

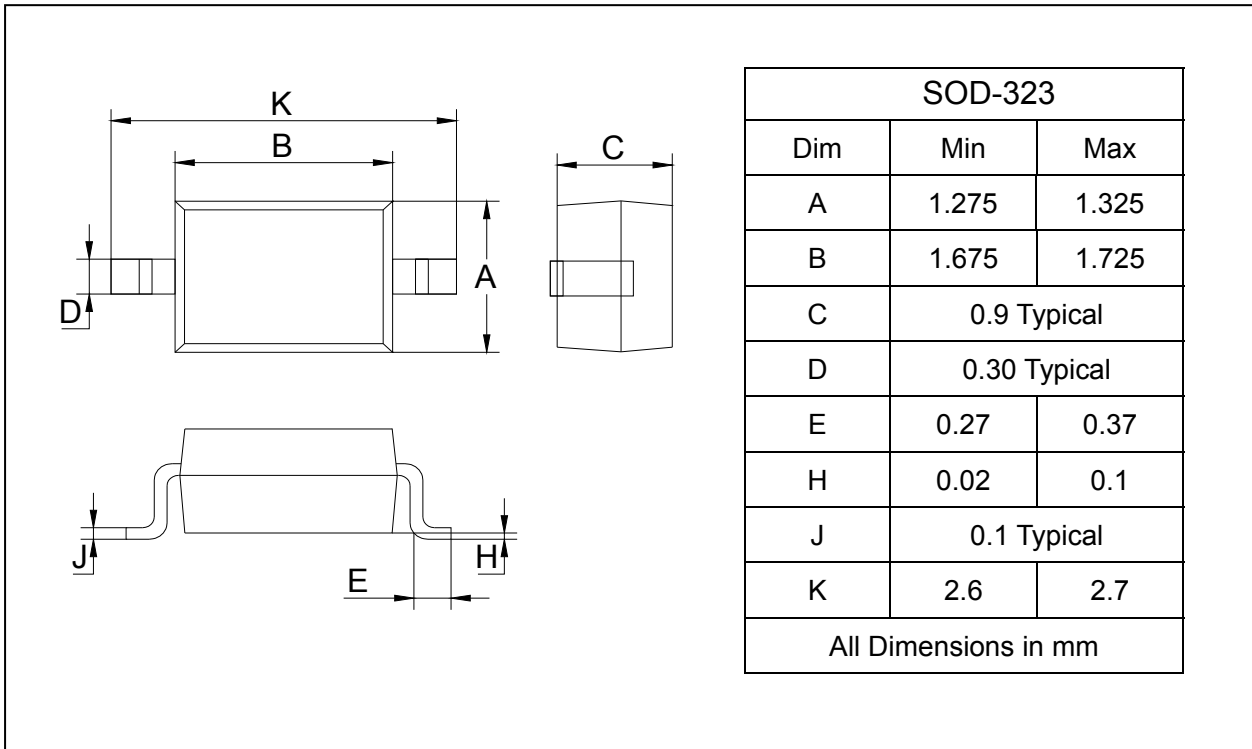
## Zener diode

## UDZS5.1B-UDZS10B

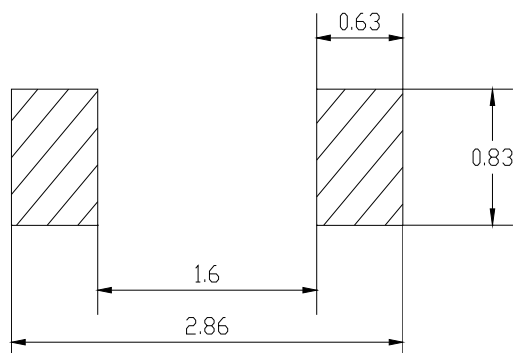
### PACKAGE OUTLINE

Plastic surface mounted package

SOD-323



### SOLDERING FOOTPRINT



Unit : mm

### PACKAGE INFORMATION

Device	Package	Shipping
UDZS5.1B-UDS10B	SOD-323	3000/Tape&Reel