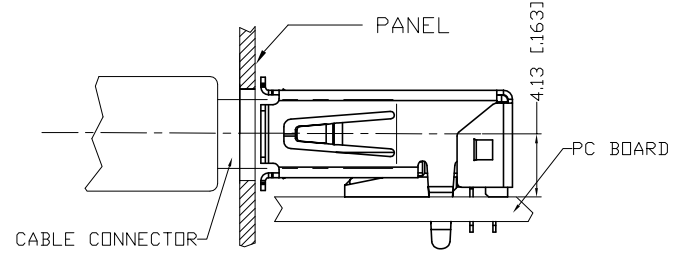
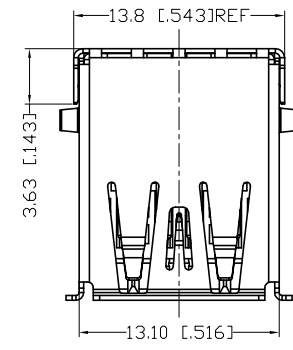


REV.	ECN. NO.	APPD.
X1	2/18'09	Hao Gu
X2	4/20'09	Hao Gu



RECESSED MOUNTING CONFIGURATION

PRODUCT NO.: UEA 1 1 1 2 \* - 4ER1 - 4 H

Series Prefix: USB 3.0 A TYPE  
Termination Type: 1: Right Angle Dip  
Connector Type: 1: Female  
No. of Contact Position: 1: 9 Pos.  
Profile Height: 2: 4.13 MM

Halogen Free Code: H  
Package Code: 4: Soft Tray Package  
Extension Code

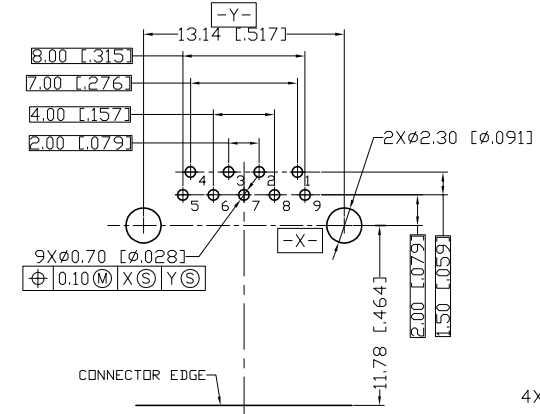
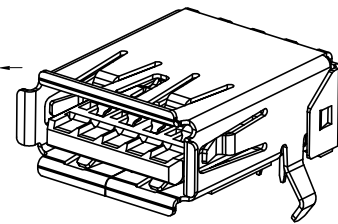
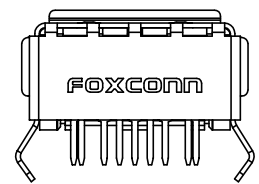
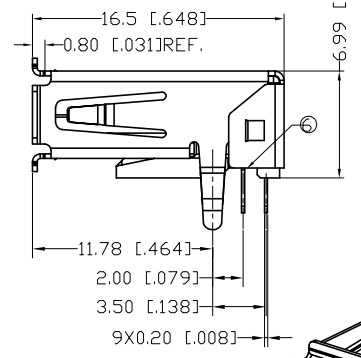
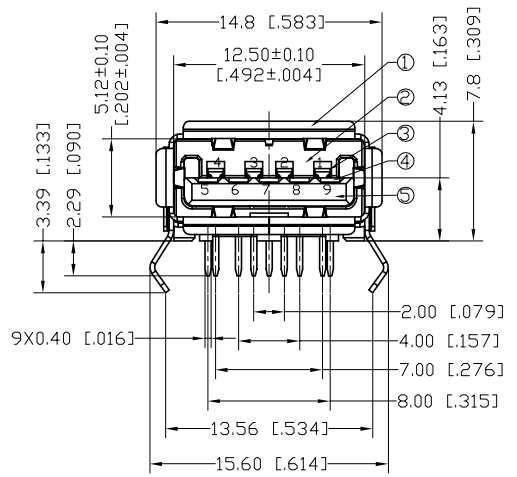
Contact Area Plating: 3: 30u" Gold Plating  
4: 30u" Pd/Ni+Gold Flash

NOTES :

- ELECTRICAL AND MECHANICAL CHARACTERISTICS MEET USB3.0 STANDARD .
- DIMENSIONS ARE IN MILLIMETERS, BRACKETED DIMENSIONS ARE INCHES EQUIVALENTS.
- MEET USB3.0 STANDARD SPECIFICATION.
- RECOMMENED PROCESS: WAVE SOLDER 260°C,3~5SECONDS.
- THE CONNECTOR IS ROHS COMPLIANT AND HALOGEN FREE.

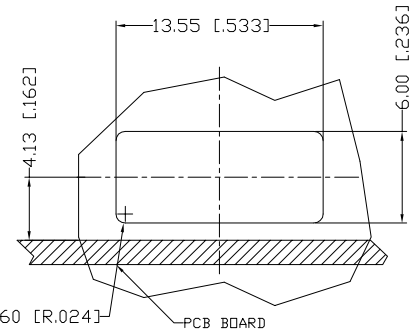
PIN ASSIGNMENT:

Pin No.	1	2	3	4	5	6	7	8	9
Signal Name	VBUS	D-	D+	GND	SSRX-	SSRX+	GND_DRAIN	SSTX-	SSTX+
Remark	USB2 Contact Pin				USB3 Contact Pin				



RECOMMENDED P.C.B LAYOUT (COMPONENT SIDE)

PCB THICKNESS: 1.60±0.05[0.063±0.002]mm  
DEFAULT TOLERANCE: ±0.05[0.002]



MOUNTING PANEL CUTOUT (INTERNAL SIDE)

NO.	DESCRIPTION	QTY.	MATERIAL	TREATMENT
⑥	ORGANIZER	1	THERMOPLASTIC UL 94V-0	MOLDED COLOR: BLUE(PANTONE:PANTONE 300C).
⑤	FRAME	1	THERMOPLASTIC UL 94V-0	MOLDED COLOR: BLUE(PANTONE:PANTONE 300C).
④	USB3 CONTACT	5	COPPER ALLOY	Au:30u" AT CONTACT AREA, LEAD FREE TIN ALLOY AT TERMINATION,NICKEL UNDERPLATING OVER ALL.
③	USB2 CONTACT	4	COPPER ALLOY	
②	FRAME	1	THERMOPLASTIC UL 94V-0	MOLDED COLOR: BLUE(PANTONE:PANTONE 300C).
①	SHELL	1	STAINLESS STEEL	NICKEL PLATED OVERALL, KINK WITH LEAD FREE TIN ALLOY.

X.±	X'.±	UNITS	NAME(INTENDED USE)	FOXCONN
.X± 0.38[.010]	.X'±	mm[inch]	CUSTOMER	HON HAI PRECISION IND. CO.,LTD. TAIPEI, TAIWAN, R.O.C.
.XX± 0.25[.010]	.XX'±	MAT'L	PART NO.(INTENDED USE)	TITLE:
.XXX±	.XXX'±	FINISH	UEA1112*-4ER1-4H	USB3.0 SINGLE RIGHT ANGLE
THESE DRAWINGS AND SPECIFICATIONS ARE THE PROPERTY OF HON HAI PRECISION IND. CO., LTD. AND SHALL NOT BE REPRODUCED COPIED OR USED IN ANY MANNER WITHOUT THE PRIOR WRITTEN CONSENT OF HON HAI PRECISION IND. CO., LTD.			APPD: Edward Zheng 4/20'09	DWG NO: 327-0000-1964
			Q'TY	CHKD: Hill He 4/20'09
				DR: David Wang 4/20'09
				SCALE SHEET REV.
				N/A 1/1 X2

