

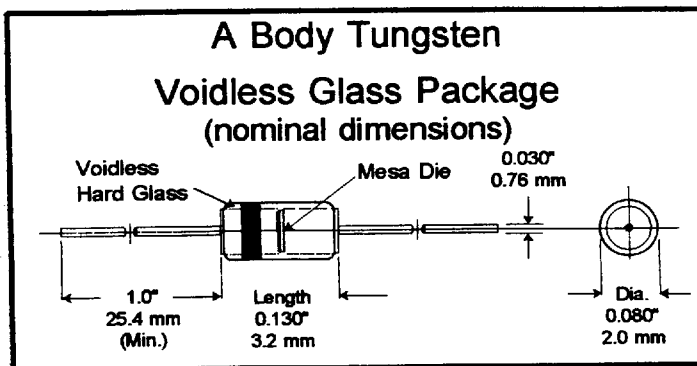
Applications

Hard Glass Tungsten

For use in hostile environments such as military and aerospace. Used where performance, surge and small footprint are important. They are ideal for use in industrial, aircraft or satellite power supplies. *BKC can produce MIL equivalents of high reliability parts with internal source control drawings. Use HR, HRX, HRV or HRS suffixes for cost effective high reliability parts or use your own SCD.*

Features

- Six Sigma quality
- High surge capability
- Microminiature package
- Humidity proof hard glass
- No thermal fatigue
- Metallurgically bonded
- Thermally matched system
- Zero solderability defects
- Sigma Bond™ plated contacts



Absolute Maximum Ratings	Symbol	Value	Unit
Power Dissipation at 3/8" from the body, T _L = 75 °C	P _{tot}	1.33	Watts
Average Forward Rectified Current at T _L = 75 °C	I _{AV}	1.0	Amp
Junction & Storage Temperature Range	T _{J&st}	-55 to +175	°C
Maximum Non Repetitive Surge (8.3ms)	I _{FSM}	30	Amps
Thermal Resistance at 3/8" from the body, T _L = 75 °C	R _{θJL}	75	°C/W

Characteristics at T = 25 °C

Type	Peak Inverse Voltage (MIN.) (PIV) Volts	Maximum Average Rectified Current (I _O) Amps	Maximum Forward Voltage Drop (V _F) @ I _F @ 1A		Maximum Reverse Leakage Current (I _R) @ PIV		Maximum Surge Current (I _{FSM}) Amps	Maximum Reverse Recovery (t _r) nS (NOTE 1)
			25° C Volts	100° C Volts	25° C µA	100° C µA		
UES1001	50	1.0	0.975	0.895	2	50	30	25
UES1002	100	1.0	0.975	0.895	2	50	30	25
UES1003	150	1.0	0.975	0.895	2	50	30	25

Note 1: I_F = 0.5A, I_R = 1.0A, t_r @ 0.25A

Surface mount devices are available in a SQUARE ENDED hard glass MELF A package, To specify MELF, add a US suffix.

To buy high reliability parts, add the appropriate HR, HRX, HRV or HRS suffix to the above numbers.



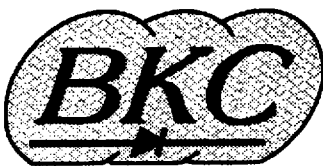
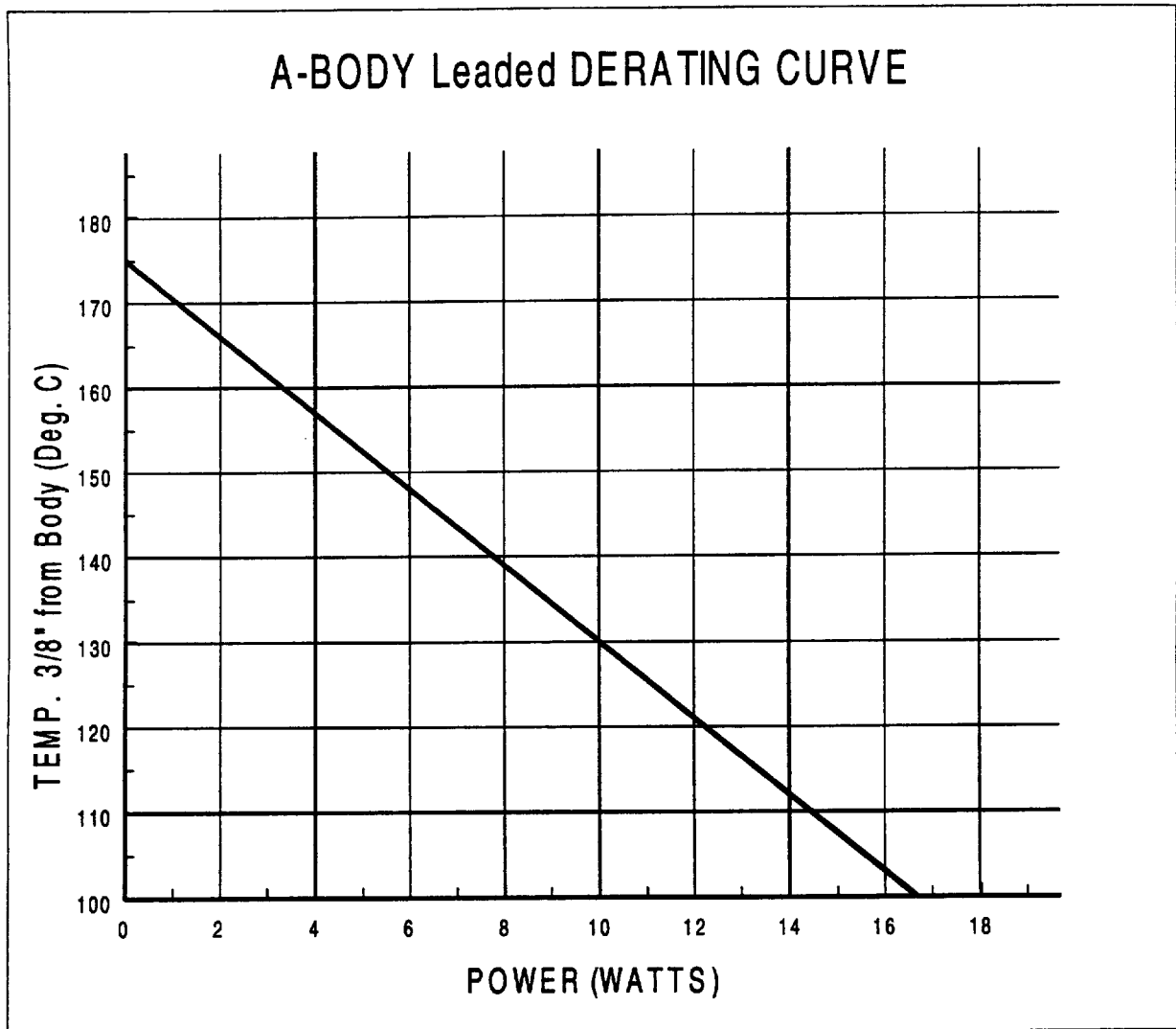
BKC Semiconductors Inc.

6 Lake St · Lawrence, MA · 01841 · tel: (978) 681-0392 · fax: (978) 681-9135

1179983 0000604 754

UES1001 thru UES1003

Fast Rectifiers



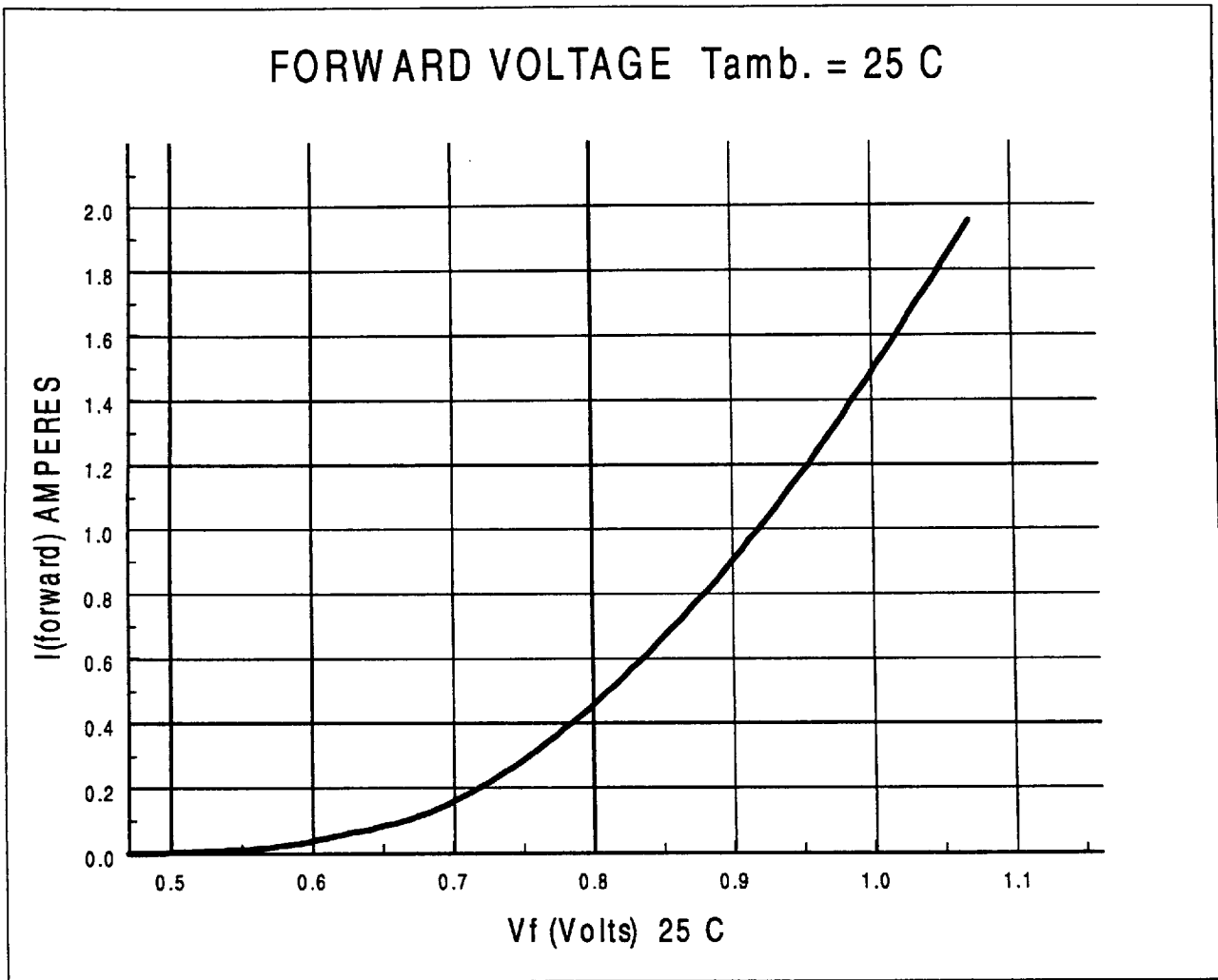
BKC Semiconductors Inc.

6 Lake St · Lawrence, MA · 01841 · tel: (978) 681-0392 · fax: (978) 681-9135

■ 1179983 0000605 690 ■

UES1001 thru UES1003

Fast Rectifiers



BKC Semiconductors Inc.

6 Lake St · Lawrence, MA · 01841 · tel: (978) 681-0392 · fax: (978) 681-9135

■ 1179983 0000606 527 ■