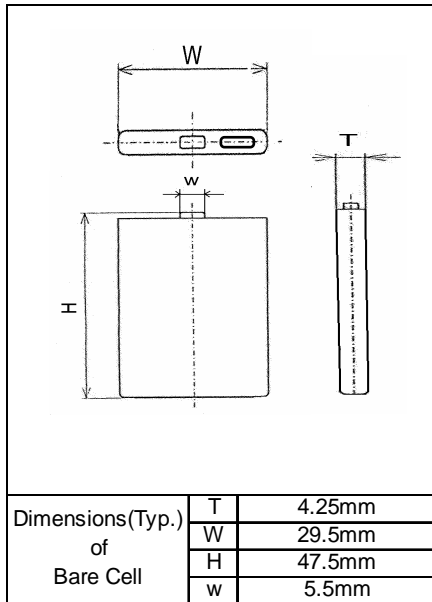


# Cell Type UF463048F Specifications



Nominal Capacity		Min.720mAh
Nominal Voltage		3.7V
Charging Method		Constant Current -Constant Voltage
Charging Voltage		4.2V
Charging Current		Std. 720mA
Charging Time		2.5hrs.
Ambient Temperature	Charge	0~+40°C
	Discharge	-20~+60°C
	Storage	-20~+50°C
Weight (Max.)		15.0g
Dimensions (Max.)	(T)	4.45mm
	(W)	29.65mm
	(H)	47.80mm
Volumetric Energy Density		422Wh/l
Gravimetric Energy Density		177Wh/kg

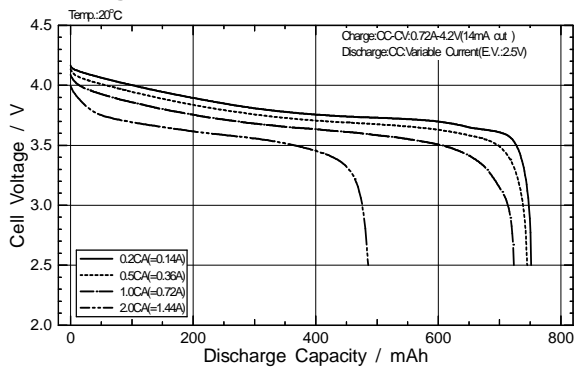
Discharged State after Assembling

\*The maximum thickness of the standard shipment charging condition

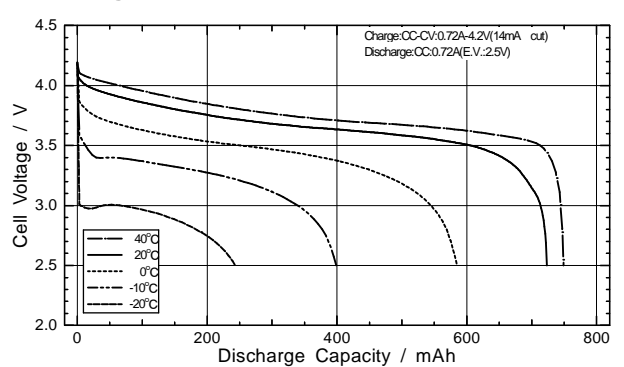
\*When designing a battery pack, get the precise information on a cell battery drawing

## Typical Characteristics

Discharge rate characteristics



Discharge temperature characteristics



Charge characteristics

