

UFG SERIES

NEW

85°C High Capacitance, 4-pin Snap-in Terminal Type

◆FEATURES

- Load Life : 85°C 10000 hours.
- Higher capacitance and longer lifetime than USG series.
- RoHS compliance.



◆SPECIFICATIONS

Items	Characteristics						
Category Temperature Range	-25~+85°C						
Rated Voltage Range	350~450Vdc						
Capacitance Tolerance	±20% (20°C, 120Hz)						
Leakage Current(MAX)	$I=3\sqrt{CV}$ (After 5 minutes application of rated voltage) I =Leakage Current(μA) C =Capacitance(μF) V =Rated Voltage(Vdc)						
(tanδ) Dissipation Factor(MAX)	0.2 (20°C, 120Hz)						
Endurance	After applying rated voltage with rated ripple current for 10000 hours at 85°C, the capacitors shall meet the following requirements. <table border="1" style="margin-left: 20px;"> <tr> <td>Capacitance Change</td> <td>Within ±20% of the initial value.</td> </tr> <tr> <td>Dissipation Factor</td> <td>Not more than 200% of the specified value.</td> </tr> <tr> <td>Leakage Current</td> <td>Not more than the specified value.</td> </tr> </table>	Capacitance Change	Within ±20% of the initial value.	Dissipation Factor	Not more than 200% of the specified value.	Leakage Current	Not more than the specified value.
Capacitance Change	Within ±20% of the initial value.						
Dissipation Factor	Not more than 200% of the specified value.						
Leakage Current	Not more than the specified value.						
Low Temperature Stability Impedance Ratio(MAX)	<table border="1" style="margin-left: 20px;"> <tr> <td>Rated Voltage (Vdc)</td> <td>350~450</td> <td>(120Hz)</td> </tr> <tr> <td>$Z(-25°C)/Z(20°C)$</td> <td>8</td> <td></td> </tr> </table>	Rated Voltage (Vdc)	350~450	(120Hz)	$Z(-25°C)/Z(20°C)$	8	
Rated Voltage (Vdc)	350~450	(120Hz)					
$Z(-25°C)/Z(20°C)$	8						

◆MULTIPLIER FOR RIPPLE CURRENT

Frequency (Hz)	60(50)	120(100)	300	500	1k	10k≤
Coefficient	0.80	1.00	1.15	1.20	1.25	1.40

◆OPTION

	Code
PVC Sleeve with plate	Blank

◆PART NUMBER

UFG

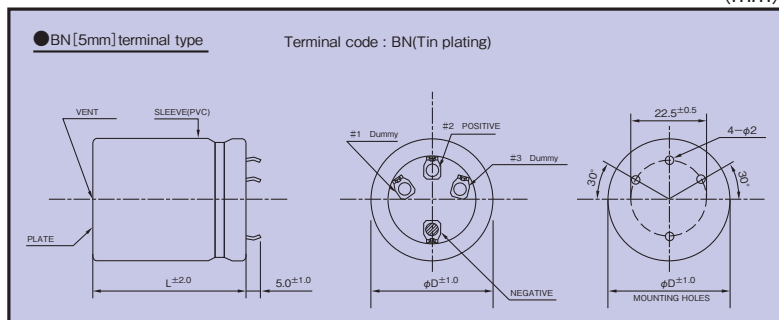
 M

 BN
 DXL

Rated Voltage Series Capacitance Capacitance Tolerance Option Terminal Code Case Size

◆DIMENSIONS

(mm)



◆ STANDARD SIZE

Cap (μ F)	Vdc		350					
	ϕ D		ϕ 35	ϕ 40	ϕ 45			
680			35×50	4.02				
820			35×55	4.41	40×50	4.53		
1000			35×65	5.04	40×55	4.95		
1200			35×75	5.65	40×60	5.35	45×50	4.92
1500			35×95	6.64	40×70	6.08	45×60	5.78
1800					40×90	7.23	45×65	6.14
2200							45×85	7.48
2700							45×100	8.47

Cap (μ F)	Vdc		400					
	ϕ D		ϕ 35	ϕ 40	ϕ 45			
560			35×50	3.83				
680			35×60	4.42	40×50	4.33		
820			35×65	4.80	40×55	4.72	45×50	4.74
1000			35×80	5.58	40×65	5.42	45×55	5.15
1200			35×90	6.15	40×75	6.08	45×60	5.54
1500					40×90	7.00	45×70	6.28
1800							45×80	6.98
2200							45×95	7.98

Cap (μ F)	Vdc		420					
	ϕ D		ϕ 35	ϕ 40	ϕ 45			
560			35×50	3.77				
680			35×60	4.35	40×50	4.28		
820			35×65	4.73	40×55	4.68		
1000			35×80	5.49	40×65	5.36	45×50	4.70
1200			35×95	6.20	40×75	6.02	45×60	5.52
1500					40×90	6.88	45×70	6.26
1800							45×85	7.22
2200							45×100	8.18

Cap (μ F)	Vdc		450					
	ϕ D		ϕ 35	ϕ 40	ϕ 45			
470			35×50	3.61				
560			35×55	3.96	40×50	4.11		
680			35×65	4.52	40×55	4.51		
820			35×75	5.06	40×60	4.90	45×50	4.60
1000			35×85	5.63	40×70	5.56	45×60	5.38
1200			35×100	6.34	40×80	6.19	45×65	5.76
1500					40×95	7.07	45×80	6.81
1800							45×90	7.46

↑ Ripple Current (A r.m.s./120Hz, 85°C)
 ↑ Case Size ϕ D×L(mm)