



UG10N120

Preliminary

Insulated Gate Bipolar Transistor

**35A, 1200V NPT SERIES
N-CHANNEL IGBT**

■ DESCRIPTION

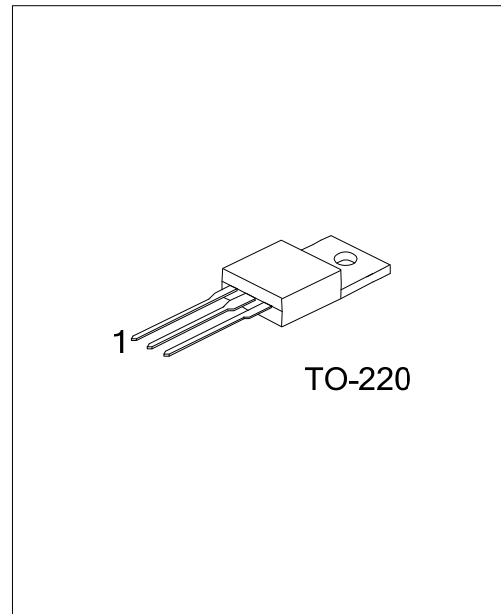
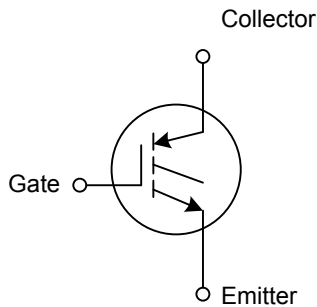
The UTC **UG10N120** is a NPT series N-Channel IGBT, it uses UTC's advanced technology to provide the customers with a minimum on-state resistance, etc.

The UTC **UG10N120** is suitable for AC and DC motor controls, power supplies, and drivers for solenoids, relays and contactors, etc.

■ FEATURES

- * Low conduction loss
- * Short circuit rating

■ SYMBOL



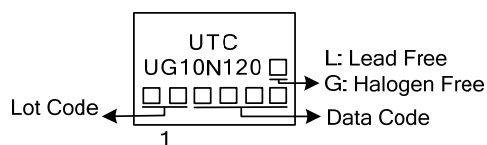
■ ORDERING INFORMATION

Ordering Number		Package	Pin Assignment			Packing
Lead Free	Halogen Free		1	2	3	
UG10N120L-TA3-T	UG10N120G-TA3-T	TO-220	G	C	E	Tube

Note: Pin Assignment: G: Gate C: Collector E: Emitter

<p>UG10N120L-TA3-T</p>	<p>(1) Packing Type (2) Package Type (3) Green Package</p>	<p>(1) T: Tube (2) TA3: TO-220 (3) L: Lead Free, G: Halogen Free</p>
------------------------	--	--

■ MARKING



■ ABSOLUTE MAXIMUM RATING ($T_C=25^\circ\text{C}$, unless otherwise specified)

PARAMETER	SYMBOL	RATINGS	UNIT	
Collector to Emitter Voltage	V_{CES}	1200	V	
Gate-Emitter Voltage	V_{GES}	± 20	V	
Gate to Emitter Voltage Pulsed	V_{GEM}	± 30	V	
Collector Current Continuous	I_C	$T_C=25^\circ\text{C}$	35	A
		$T_C=110^\circ\text{C}$	17	A
Collector Current Pulsed (Note 1)	I_{CM}	80	A	
Power Dissipation Total at $T_C = 25^\circ\text{C}$	P_D	298	W	
Power Dissipation Derating $T_C > 25^\circ\text{C}$		2.38	W/ $^\circ\text{C}$	
Forward Voltage Avalanche Energy (Note 2)	E_{AV}	80	mJ	
Short Circuit Withstand Time (Note 3) at $V_{GE}=15\text{V}$	t_{SC}	8	μs	
Short Circuit Withstand Time (Note 3) at $V_{GE}=12\text{V}$	t_{SC}	15	μs	
Operating Junction Temperature Range	T_J	-55~+150	$^\circ\text{C}$	
Storage Temperature Range	T_{STG}	-55~+150	$^\circ\text{C}$	

Notes: 1. Absolute maximum ratings are those values beyond which the device could be permanently damaged.

Absolute maximum ratings are stress ratings only and functional device operation is not implied.

2. Pulse width limited by maximum junction temperature.

3. $I_{CE}=20\text{A}$, $L=400\mu\text{H}$, $T_J=25^\circ\text{C}$.

4. $V_{CE(PK)}=840\text{V}$, $T_J=125^\circ\text{C}$, $R_G=10\Omega$.

■ THERMAL CHARACTERISTICS

PARAMETER	SYMBOL	RATINGS	UNIT
Junction to Case	θ_{JC}	0.42	$^\circ\text{C/W}$

■ ELECTRICAL CHARACTERISTICS ($T_C=25^\circ\text{C}$, unless otherwise specified)

PARAMETER	SYMBOL	TEST CONDITIONS	MIN	TYP	MAX	UNIT
Collector to Emitter Breakdown Voltage	BV_{CES}	$I_C=250\mu\text{A}$, $V_{GE}=0\text{V}$	1200			V
Emitter to Collector Breakdown Voltage	BV_{ECS}	$I_C=10\text{mA}$, $V_{GE}=0\text{V}$	15			V
Collector to Emitter Leakage Current	I_{CES}	$V_{CE}=1200\text{V}$	$T_C=25^\circ\text{C}$		250	μA
			$T_C=125^\circ\text{C}$		150	μA
			$T_C=150^\circ\text{C}$		2	mA
Collector to Emitter Saturation Voltage	$V_{CE(SAT)}$	$I_C=10\text{A}$, $V_{GE}=15\text{V}$	$T_C=25^\circ\text{C}$	2.45	2.7	V
			$T_C=150^\circ\text{C}$	3.7	4.2	V
Gate to Emitter Threshold Voltage	$V_{GE(TH)}$	$I_C=90\mu\text{A}$, $V_{CE}=V_{GE}$	6.0	6.8		V
Gate to Emitter Leakage Current	I_{GES}	$V_{GE}=\pm 20\text{V}$			± 250	nA
Switching SOA	SSOA	$T_J=150^\circ\text{C}$, $R_G=10\Omega$, $V_{GE}=15\text{V}$, $L=400\mu\text{H}$, $V_{CE(PK)}=1200\text{V}$	55			A
Gate to Emitter Plateau Voltage	V_{GEP}	$I_C=10\text{A}$, $V_{CE}=600\text{V}$		10.4		V
On-State Gate Charge	$Q_{G(ON)}$	$I_C=10\text{A}$, $V_{CE}=600\text{V}$	$V_{GE}=15\text{V}$	100	120	nC
			$V_{GE}=20\text{V}$	130	150	nC
Current Turn-On Delay Time	$t_{d(ON)I}$	IGBT and Diode at $T_J=25^\circ\text{C}$ $I_{CE}=1\text{A}$, $V_{CE}=30\text{V}$, $V_{GE}=15\text{V}$, $R_G=10\Omega$		250		ns
Current Rise Time	t_{rI}			400		ns
Current Turn-Off Delay Time	$t_{d(OFF)I}$			275		ns
Current Fall Time	t_{fI}			165		ns

UTC assumes no responsibility for equipment failures that result from using products at values that exceed, even momentarily, rated values (such as maximum ratings, operating condition ranges, or other parameters) listed in products specifications of any and all UTC products described or contained herein. UTC products are not designed for use in life support appliances, devices or systems where malfunction of these products can be reasonably expected to result in personal injury. Reproduction in whole or in part is prohibited without the prior written consent of the copyright owner. The information presented in this document does not form part of any quotation or contract, is believed to be accurate and reliable and may be changed without notice.