

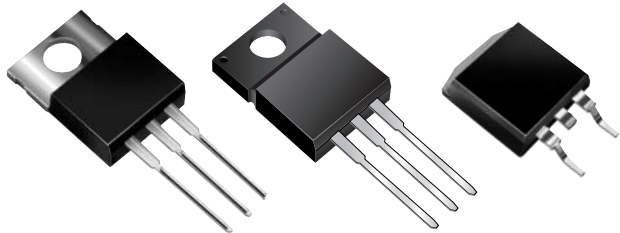


UG8JCT, UGF8JCT, UGB8JCT Series

New Product

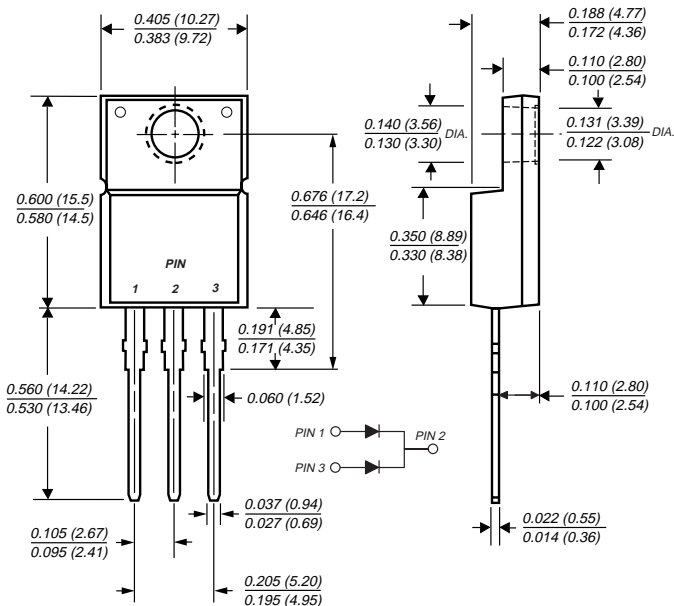
Vishay Semiconductors
formerly General Semiconductor

Dual Ultrafast Plastic Rectifier Series

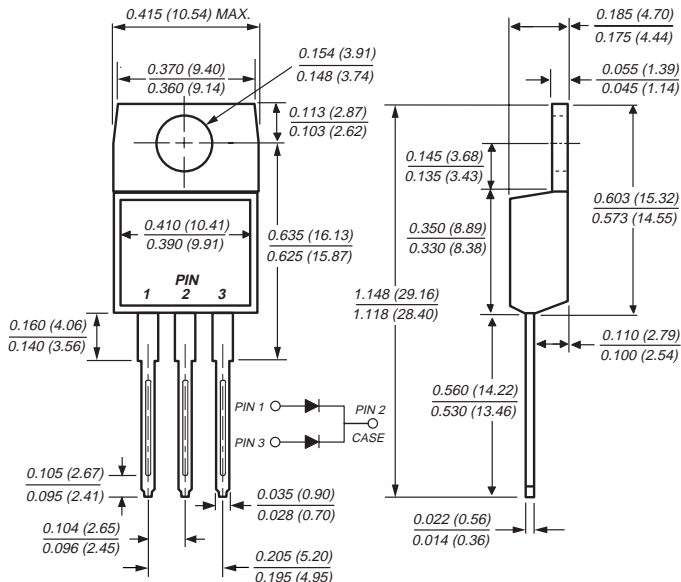


Reverse Voltage 500 to 600V
Forward Current 8A
Reverse Recovery Time 25ns

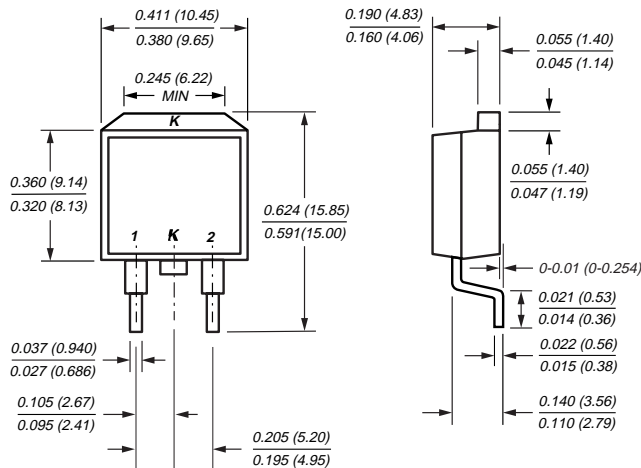
ITO-220AB (UGF8JCT Series)



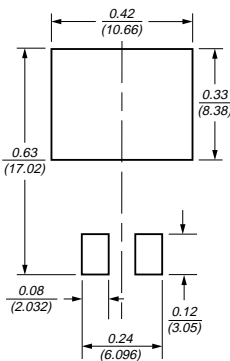
TO-220AB (UG8JCT Series)



TO-263AB (UGB8JCT Series)



Mounting Pad Layout TO-263AB



Dimensions in inches and (millimeters)

Features

- Plastic package has Underwriters Laboratories Flammability Classification 94V-0
- Ideally suited for free wheeling diode power factor correction applications
- Soft recovery characteristics
- Excellent high temperature switching
- Optimized to reduce switching losses
- High temperature soldering guaranteed: 250°C/10 seconds at terminals
- Glass passivated chip junction

Mechanical Data

Case: JEDEC TO-220AB, ITO-220AB & TO-263AB molded plastic body

Terminals: Plated leads, solderable per MIL-STD-750, Method 2026

Polarity: As marked

Mounting Position: Any

Mounting Torque: 10 in-lbs maximum

Weight: 0.08 oz., 2.24 g

UG8JCT, UGF8JCT, UGB8JCT Series



Vishay Semiconductors
formerly General Semiconductor

Maximum Ratings (T_C = 25°C unless otherwise noted)

Parameter	Symbol	UG8HCT	UG8JCT	Unit
Maximum repetitive peak reverse voltage	V _{RRM}	500	600	V
Maximum working reverse voltage	V _{RWM}	400	480	V
Maximum RMS voltage	V _{RMS}	350	420	V
Maximum DC blocking voltage	V _{DC}	500	600	V
Maximum average forward rectified current	I _{F(AV)}	8.0		A
Peak forward surge current 8.3ms single half sine-wave superimposed on rated load (JEDEC Method) per leg at T _C = 100°C	I _{FSM}	65		A
Operating junction and storage temperature range	T _J , T _{STG}	-55 to +150		°C
RMS Isolation voltage (UGF types only) from terminals to heatsink with t = 1.0 second, RH ≤ 30%	V _{ISOL}	4500 ⁽¹⁾ 3500 ⁽²⁾ 1500 ⁽³⁾		V

Electrical Characteristics (T_C = 25°C unless otherwise noted)

Parameter	Symbol	UG8HCT	UG8JCT	Unit
Maximum instantaneous forward voltage per leg ⁽⁴⁾ I _F = 4A, T _J = 25°C I _F = 4A, T _J = 125°C	V _F	1.75 1.50		V
Maximum DC reverse current per leg at V _{RWM} T _J = 25°C T _J = 100°C T _J = 125°C	I _R	30 800 4.0		μA μA mA
Maximum reverse recovery time per leg at I _F = 0.5A, I _R = 1.0A, I _{rr} = 0.25A	t _{rr}	25		ns
Maximum reverse recovery time per leg at I _F = 1.0A, di/dt = 50A/μs, V _R = 30V, I _{rr} = 0.1 I _{RM}	t _{rr}	50		ns
Typical softness factor (t _b /t _a) I _F = 4.0A, di/dt = 240A/μs, V _R = 400V, I _{rr} = 0.1 I _{RM}	S	0.9		—
Maximum reverse recovery current per leg at I _F = 4.0A, di/dt = 32A/μs, V _R = 400V, T _C = 125°C	I _{RM}	3.0		A
Maximum reverse recovery current per leg at I _F = 4.0A, di/dt = 240A/μs, V _R = 400V, T _C = 125°C	I _{RM}	8		A
Peak forward recovery time per leg at I _F = 4.0A, di/dt = 64A/μs, V _F = 1.1V _{Fmax}	t _{fr}	500		ns

Thermal Characteristics (T_C = 25°C unless otherwise noted)

Parameter	Symbol	UG8	UGF8	UGB8	Unit
Typical thermal resistance from junction to case	R _{θJC}	3.5	6.0	3.5	°C/W

Notes: (1) Clip mounting (on case), where lead does not overlap heatsink with 0.110" offset
(3) Screw mounting with 4-40 screw, where washer diameter is ≤ 4.9 mm (0.19")

(2) Clip mounting (on case), where leads do overlap heatsink
(4) Pulse test: 300μs pulse width, 1% duty cycle

Ordering Information

Product	Case	Package Code	Package Option
UG8HCT - UG8JCT	TO-220AB	45	Anti-Static tube, 50/tube, 2K/carton
UGF8HCT - UGF8JCT	ITO-220AB	45	Anti-Static tube, 50/tube, 2K/carton
UGB8HCT - UGB8JCT	TO-263AB	31	13" reel, 800/reel, 4.8K/carton
		45	Anti-Static tube, 50/tube, 2K/carton
		81	Anti-Static 13" reel, 800/reel, 4.8K/carton



Ratings and Characteristic Curves ($T_A = 25^\circ\text{C}$ unless otherwise noted)

Fig. 1 – Maximum Forward Current Derating Curve

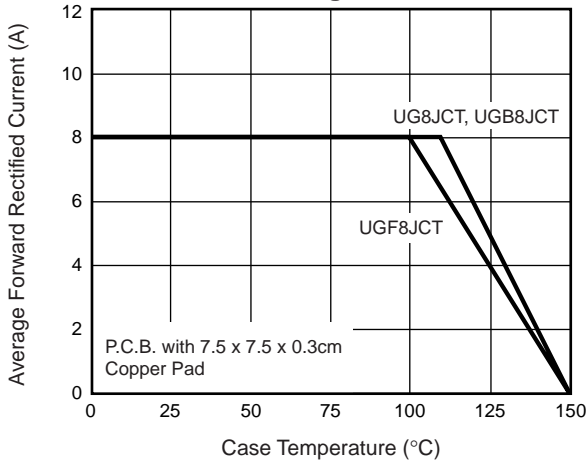


Fig. 2 – Maximum Non-Repetitive Peak Forward Surge Current Per Leg

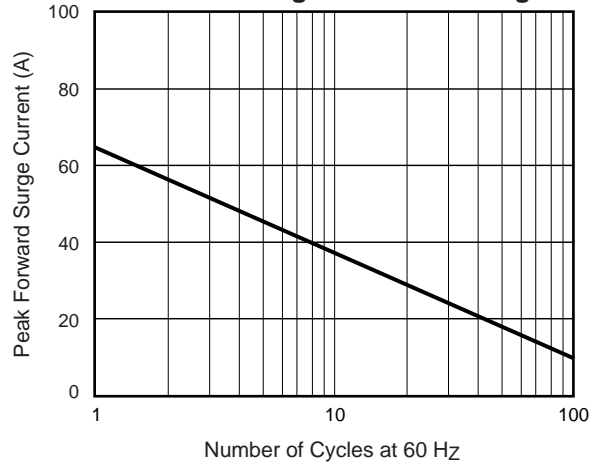


Fig. 3 – Typical Instantaneous Forward Characteristics Per Leg

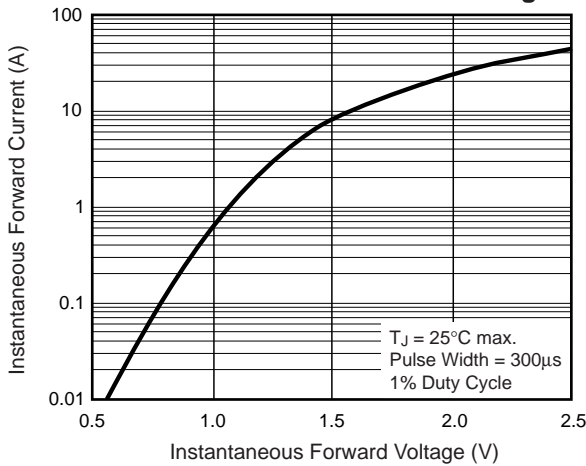


Fig. 4 – Typical Reverse Leakage Characteristics Per Leg

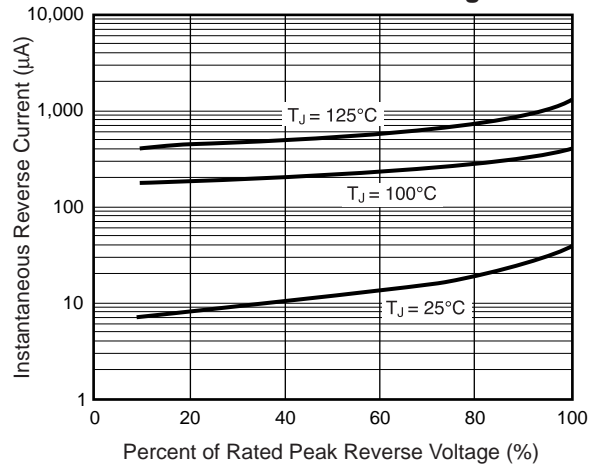


Fig. 5 – Typical Junction Capacitance Per Leg

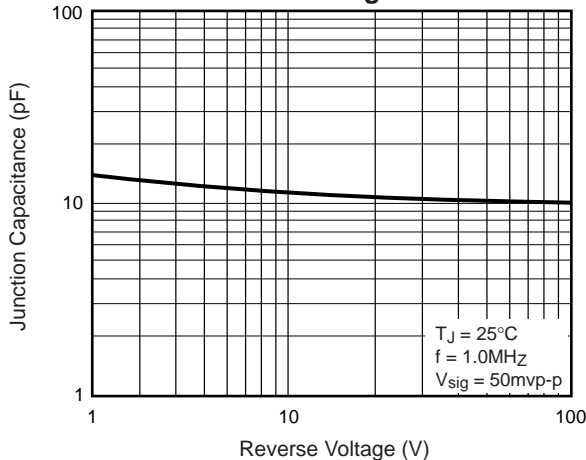


Fig. 6 – Reverse Switching Characteristics Per Leg

