



UH200

Preliminary

LINEAR INTEGRATED CIRCUIT

2-PHASE DC MOTOR DRIVE IC

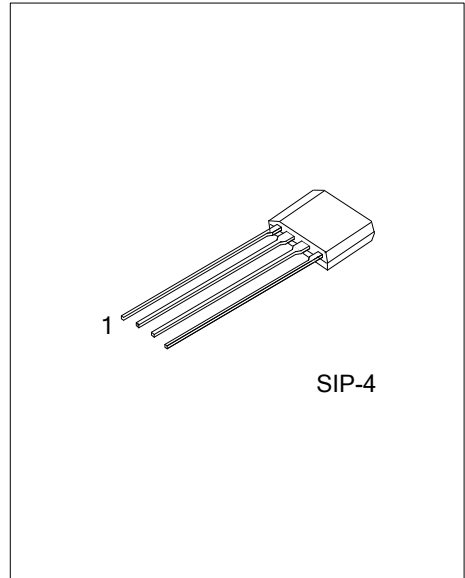
DESCRIPTION

The UTC **UH200** is a Latch-Type Hall Effect sensor with built-in output drivers. An internal bandgap voltage regulator is used to provide temperature compensated source and allows a wide operating supply range.

Open-collector drivers can provide a large sinking current for brush-less DC fan and Motor Driver.

FEATURES

- * Wide power supply range: 2.0V~20V
- * Built-in hall sensor/ drivers
- * Excellent hysteresis with temperature compensation
- * Output sink current up to 0.45A
- * Reverse power protection

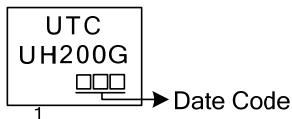


ORDERING INFORMATION

Ordering Number	Package	Packing
UH200G-G04-K	SIP-4	Bulk

<p>UH200G-G04-K</p> <p>(1) Packing Type (2) Package Type (3) Green Package</p>	<p>(1) K: Bulk (2) G04: SIP-4 (3) G: Halogen Free and Lead Free</p>
--	---

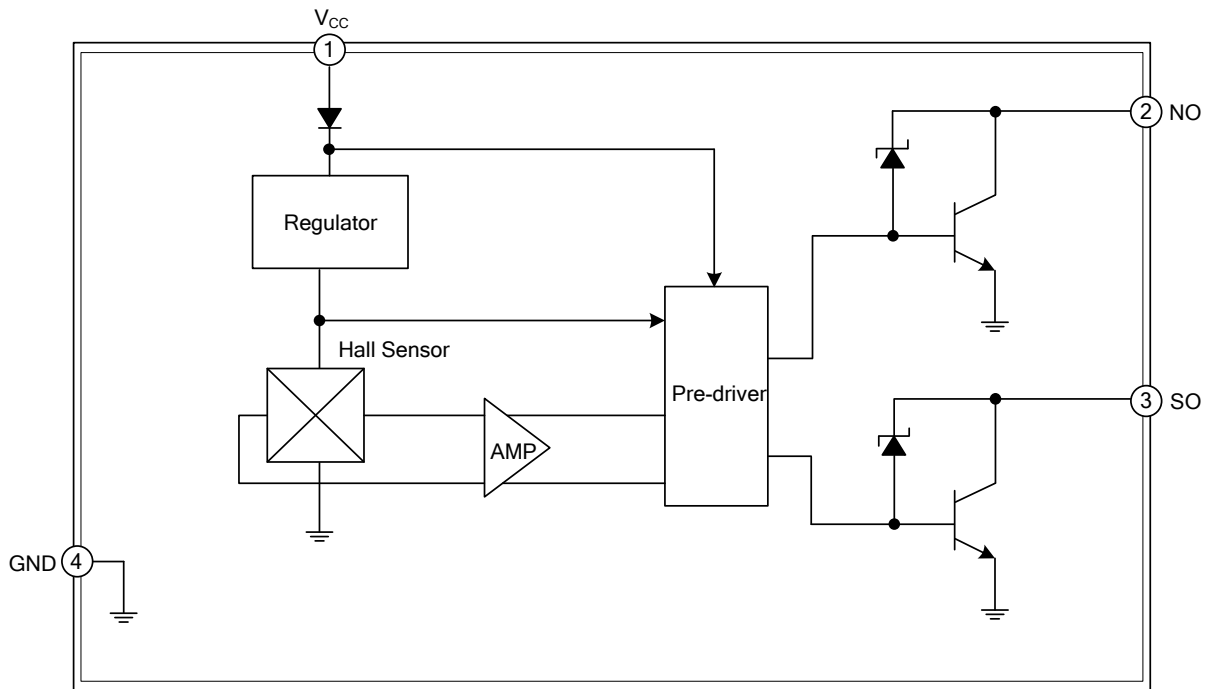
MARKING



■ PIN DESCRIPTION

PIN NO.	PIN NAME	DESCRIPTION
1	V _{CC}	Power Supply
2	NO	Output pin
3	SO	Output pin
4	GND	Ground

■ BLOCK DIAGRAM



■ ABSOLUTE MAXIMUM RATING ($T_A=25^{\circ}\text{C}$, unless otherwise specified)

PARAMETER		SYMBOL	RATINGS	UNIT
Zener Breakdown Voltage		V_Z	35	V
NO/SO Pin Voltage			30	V
VCC Pin Voltage			20	V
Peak Sink Current	Peak Current	I_O	1A \leq 100 μ s	
	Continuous Current		450	mA
Power Dissipation		P_D	500	mW
Junction Temperature		T_J	+150	$^{\circ}\text{C}$
Operating Temperature Range		T_{OPR}	-20~+85	$^{\circ}\text{C}$
Storage Temperature		T_{STG}	-65~+150	$^{\circ}\text{C}$

Note: Absolute maximum ratings are those values beyond which the device could be permanently damaged. Absolute maximum ratings are stress ratings only and functional device operation is not implied.

■ THERMAL CHARACTERISTICS

PARAMETER	SYMBOL	RATINGS	UNIT
Junction to Ambient	θ_{JA}	0.15	$^{\circ}\text{C}/\text{mW}$

■ DC ELECTRICAL CHARACTERISTICS ($T_A=25^{\circ}\text{C}$, unless otherwise specified)

PARAMETER	SYMBOL	TEST CONDITIONS	MIN	TYP	MAX	UNIT
Minimum Operating Voltage	V_{CC}	No Use Pin is Open (Fig 1)		2.0		V
Maximum Operating Voltage	V_{CC}	$I_{CC}<20$ mA, No Use Pin is Open (Fig 1)		20.0		V
Quiescent Supply Current	I_{CC}	No Use Pin is Open V_{CC} , 2.0V~20V (Fig 1)	4	16	20	mA
NO/SO Saturation Voltage	V_{SAT}	$I_O=450$ mA (Fig 1)			1.1	V

■ NO/SO SATURATION VOLTAGE V_S . OUTPUT CURRENT (I_O)

PARAMETER	SYMBOL	TEST CONDITIONS	MIN	TYP	MAX	UNIT	
NO/SO Saturation Voltage		$V_{CC}=5\text{V}$, $T_{EMP.}=25^{\circ}\text{C}$	$I_O=250$ mA			0.37	V
			$I_O=300$ mA			0.48	V
			$I_O=350$ mA			0.55	V
			$I_O=400$ mA			0.65	V
			$I_O=450$ mA			0.76	V
			$I_O=500$ mA			0.86	V

Note: Fig 1 The IC output state is under N magnetic field.

■ AC ELECTRICAL CHARACTERISTICS ($T_A=25^{\circ}\text{C}$, unless otherwise specified)

PARAMETER	SYMBOL	TEST CONDITIONS	MIN	TYP	MAX	UNIT
Rise Time	t_R	$R_L=100\Omega(5\text{W})$ $C_L=20\text{pF}$ (Fig 1)			10	μS
Fall Time	t_F	$R_L=100\Omega(5\text{W})$ $C_L=20\text{pF}$ (Fig 1)			300	nS

■ MAGNETIC CHARACTERISTICS ($T_A = -20^\circ\text{C} \sim +85^\circ\text{C}$, unless otherwise specified)

A grade

PARAMETER	SYMBOL	MIN	TYP	MAX	UNIT
Operate Point	B_{OP}	5		65	G
Release Point	B_{RP}	-65		-5	G
Hysteresis	B_{HYS}	10		130	G

B grade

PARAMETER	SYMBOL	MIN	TYP	MAX	UNIT
Operate Point	B_{OP}	5		80	G
Release Point	B_{RP}	-80		-5	G
Hysteresis	B_{HYS}	10		160	G

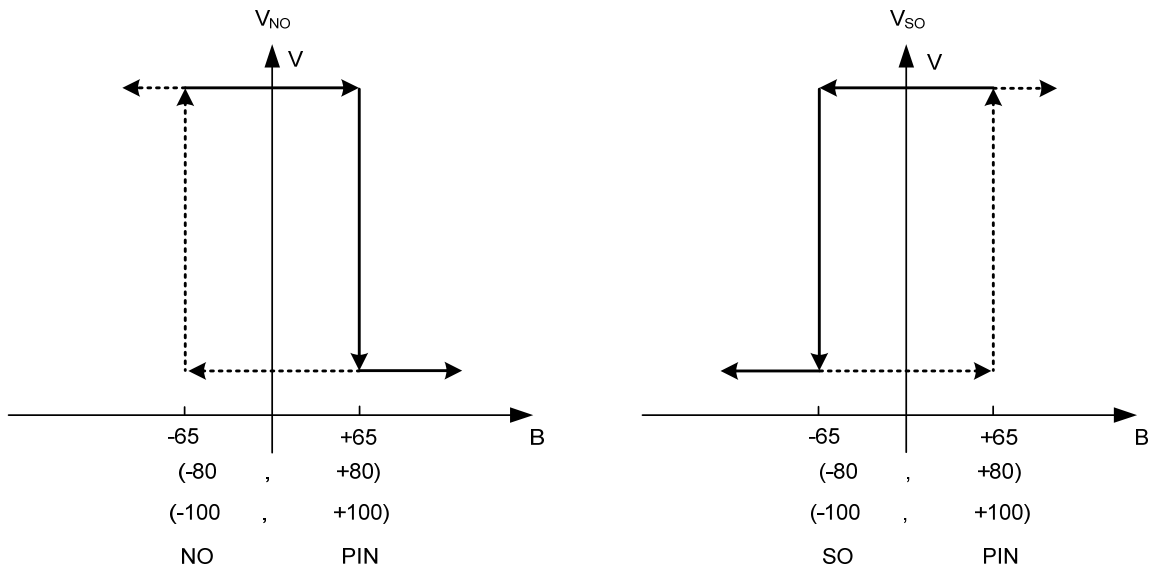
Bu grade

PARAMETER	SYMBOL	MIN	TYP	MAX	UNIT
Operate Point	B_{OP}			80	G
Release Point	B_{RP}	-80			G
Hysteresis	B_{HYS}			160	G

C grade

PARAMETER	SYMBOL	MIN	TYP	MAX	UNIT
Operate Point	B_{OP}			100	G
Release Point	B_{RP}	-100			G
Hysteresis	B_{HYS}			200	G

■ HYSTERESIS CHARACTERISTICS



■ TEST CIRCUIT

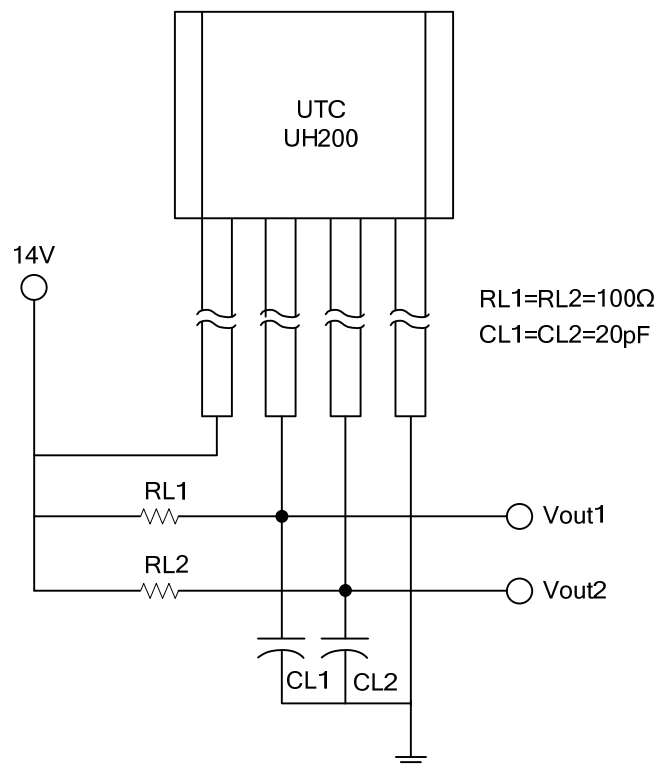
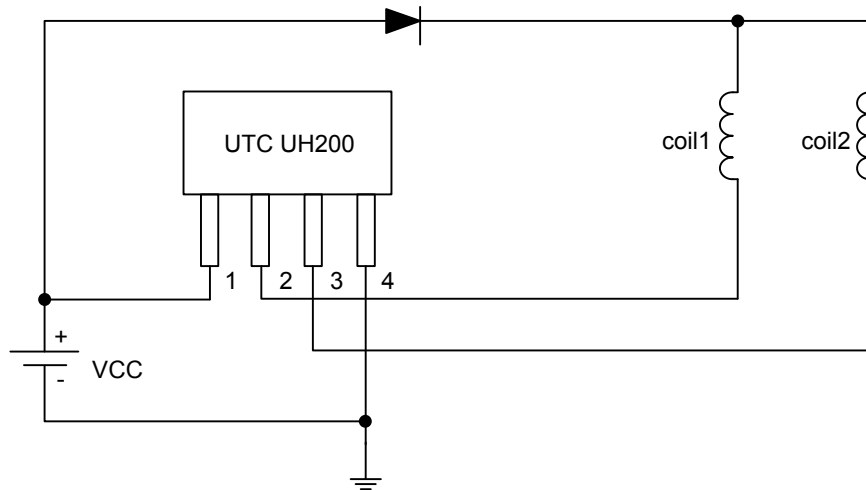


Fig 1

■ TYPICAL APPLICATION CIRCUIT



UTC assumes no responsibility for equipment failures that result from using products at values that exceed, even momentarily, rated values (such as maximum ratings, operating condition ranges, or other parameters) listed in products specifications of any and all UTC products described or contained herein. UTC products are not designed for use in life support appliances, devices or systems where malfunction of these products can be reasonably expected to result in personal injury. Reproduction in whole or in part is prohibited without the prior written consent of the copyright owner. The information presented in this document does not form part of any quotation or contract, is believed to be accurate and reliable and may be changed without notice.