

PRELIMINARY



Single Output UHP Models

3.3 Volts @ 30 Amps
100 Watt, DC/DC Converters

Features

- Regulated 3.3V output @ 30 Amps
- Input range: 36V-75V
- Open frame: 2.3" x 2.4" x 0.47"
- Industry-standard package/pinout
- Light weight: 2.24 ounces (63.5g)
- Remote sense, Trim, On/Off Control
- High efficiency: 89%
- Fully isolated, 1500Vdc guaranteed
- Input under and overvoltage shutdown
- Output overvoltage protection
- Short circuit protection; thermal shutdown
- UL1950 and EN60950 safety approvals
- CE mark

DATEL's fully isolated UHP series of DC/DC converters affords users a practical solution for their low-voltage/high-current applications. With an input voltage range of 36 to 75 Volts, the UHP-3.3/30-D48 delivers 30 Amps of output current from a fully regulated 3.3V output. Using both surface-mount technology and planar magnetics, these converters are manufactured on a 2.3" x 2.4" open-frame package with an industry-standard pinout configuration.

UHP converters utilize a full-bridge, fixed-frequency topology along with synchronous output rectification to achieve a high efficiency of 89%. This efficiency, coupled with the open-frame package that allows unrestricted air flow, reduces internal component temperatures thereby allowing operation at elevated ambient temperatures.

These DC/DC's provide output trim, sense pins and primary side on/off control (available with positive or negative logic) or sync. Standard features also include input overvoltage and undervoltage shutdown circuitry, output overvoltage protection, output short-circuit and current limiting protection and thermal shutdown. All devices meet IEC950, UL1950 and EN60950 safety standards and carry the CE mark (meet LVD) requirements). CB reports are available on request.

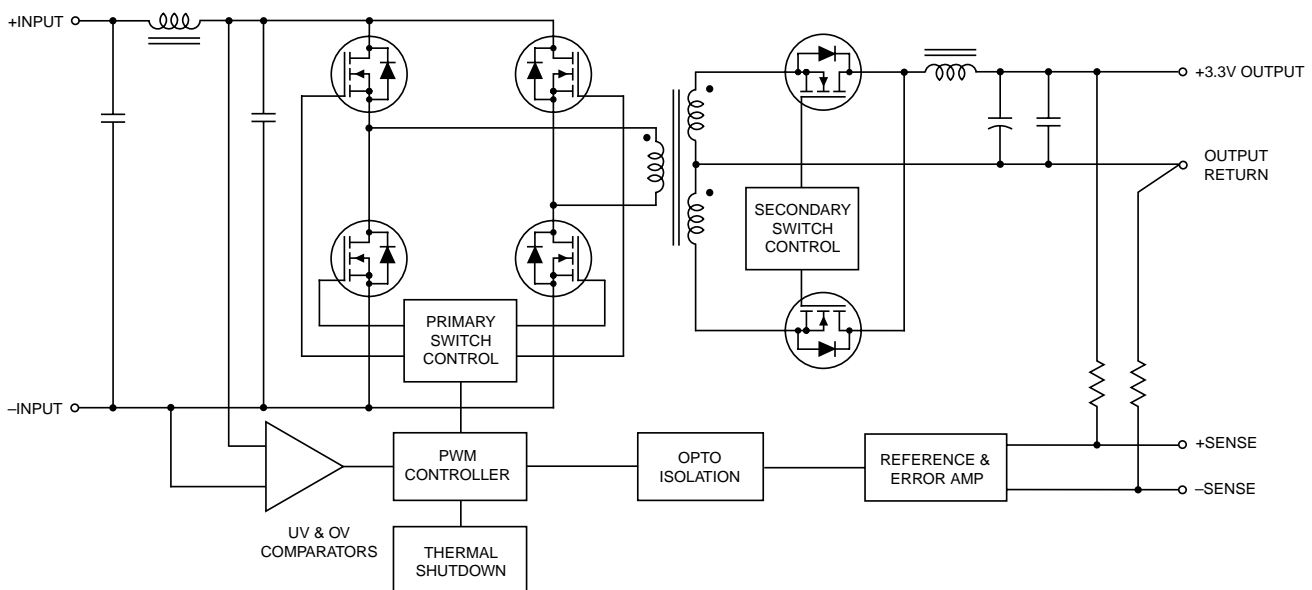


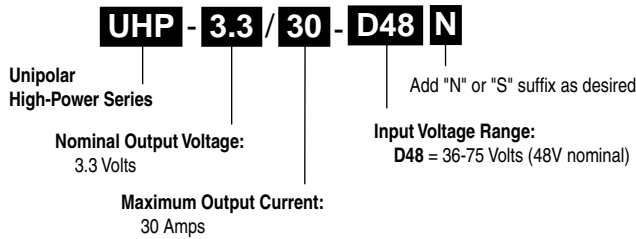
Figure 1. Simplified Schematic

Performance Specifications and Ordering Guide ^①

Model	Output						Input			Efficiency		Package (Case, Pinout)
	V _{OUT} (Volts)	I _{OUT} ^② (Amps)	R/N (mVp-p) ^②		Regulation (Max.)		V _{IN} Nom. (Volts)	Range (Volts)	I _{IN} ^④ (mA)	Min.	Typ.	
			Typ.	Max.	Line	Load ^③						
UHP-3.3/30-D48	3.3	30	80	120	±1%	±1%	48	36-75	120/2340	86.5	88%	C27, P17

- ① Typical at T_A = +25°C under nominal line voltage and full-load conditions.
- ② Ripple/Noise (R/N) measured over a 20MHz bandwidth with 10µF tantalum and 1µF ceramic output capacitors.
- ③ Tested from no load to 100% load.
- ④ Nominal line voltage, no load/full load condition.

PART NUMBER STRUCTURE

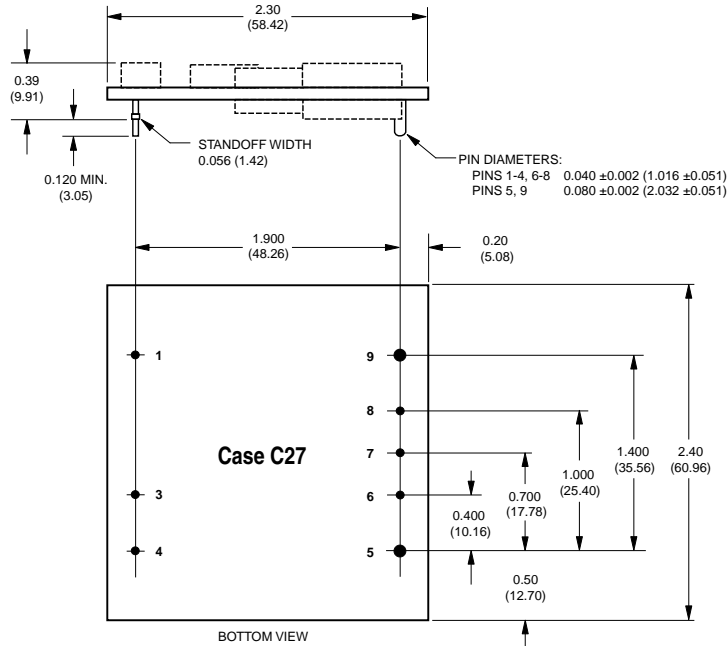


Part Number Suffixes

UHP 30 Amp DC/DC's are designed so a negative logic on/off control ("N" suffix) or a Sync function ("S" suffix) can be added in the pin 3 position.

- No Suffix** On/Off Control function (positive polarity)
- N** Negative polarity on/off control
- S** Sync function

MECHANICAL SPECIFICATIONS



I/O Connections

Pin	Function P17
1	-Input
2	No Pin
3	On/Off Control
4	+Input
5	+Output
6	+Sense
7	Trim
8	-Sense
9	-Output

Performance/Functional Specifications

Typical @ T_A = +25°C under nominal line voltage, full-load conditions, unless noted. ①

Input	
Input Voltage Range	36-75 Volts (48V nominal)
Overvoltage Shutdown	77-81 Volts (79V typical)
Start-Up Threshold	34-36 Volts (35V typical)
Undervoltage Shutdown	32.5-34.5 Volts (33.5V typical)
Input Current:	
Normal Operating Conditions	See Ordering Guide
Standby Mode:	
Off, OV, UV, Thermal Shutdown	TBD typical
Input Reflected Ripple Current:	
Source Impedance	<0.1Ω, no external input filtering TBD
Internal Input Filter Type	Pi (0.01μF - TBDμH - 3.3μF)
Reverse-Polarity Protection	1 minute duration, 5A maximum
On/Off Control (Pin 3): ③ ④ ⑥	On = open or 2.5V to +V _{IN} , I _{IN} = less than 50μA Off = 0-0.8V, I _{IN} = 200μA @ 0V
"N" Suffix Models	On = 0-0.8V, I _{IN} = TBD @ 0V Off = open or TBD Volts
Sync (Option, Pin 6): ③ ④ ⑥	
Input Threshold	TBD Volts
Input Voltage Low	TBD Volts
Input Voltage High	TBD Volts
Input Resistance	TBD minimum
Output High Voltage (100μA load)	TBD Volts
Output Drive Current	TBD
Input/Output Pulse Width	TBD nsec
Output	
V_{OUT} Accuracy:	
3.3V Output	±1.0% maximum
Minimum Loading Per Specification	No load
Ripple/Noise (20MHz BW) ⑤	See Ordering Guide
Line/Load Regulation	See Ordering Guide
Efficiency	See Ordering Guide
Output Voltage Sense Range	+10%
Trim Range ②	±10%, -20%
Isolation Voltage:	
Input-to-Output	1500Vdc minimum
Isolation Resistance	100MΩ
Isolation Capacitance	940pF
Current Limit Inception:	
3.3V @ 98.5% V _{OUT}	33-35 Amps
Short Circuit Current:	
3.3V Output	TBD Amps average current
Overvoltage Protection:	
3.3V Output	Comparator, latching TBD Volts
Maximum Capacitive Loading	TBD μF
Temperature Coefficient	±0.02% per °C
Dynamic Characteristics	
Dynamic Load Response:	
3.3V (50-100% load step to 1% V _{OUT})	TBDμsec maximum
Start-Up Time:	
V _{IN} to V _{OUT}	TBD
On/Off to V _{OUT}	TBD
Switching Frequency	350kHz (±35kHz)

DynaEnvironmental	
MTBF ⑦	Bellcore, ground fixed, full power 25°C ambient TBD million hours
Operating Temperature (Ambient): ②	
Without Derating (200lhm)	+52°C
With Derating	To +100°C (See Derating Curves)
Thermal Shutdown	TBD
Storage Temperature	-40 to +120°C
Physical	
Dimensions	2.3" x 2.4" x 0.465" (58.4 x 61 x 11.8mm)
Pin Material	Brass, solder coated
Weight:	2.24 ounces (63.5 grams)
Primary to Secondary Insulation Level	Operational

- ① All models are specified with external 10μF tantalum and 1μF ceramic output capacitors.
 ② See Technical Notes/Graphs for details.
 ③ The On/Off Control function can be replaced with a Sync function. See Part Number Suffixes and Technical Notes for details.
 ④ Applying a voltage to On/Off Control (pin 3) when no input power is applied to the converter can cause permanent damage.
 ⑤ Output noise may be further reduced with the installation of additional external output capacitors. See Technical Notes.
 ⑥ On/Off control is designed to be driven with open collector or by appropriate voltage levels. Voltages must be referenced to the -Input (pin 1).
 ⑦ Demonstrated MTBF available on request.

Absolute Maximum Ratings	
Input Voltage:	
Continuous:	81 Volts
Transient (100msec):	100 Volts
Input Reverse-Polarity Protection	Input Current must be <5A. 1 minute duration. Fusing recommended.
Output Current	Current limited. Devices can withstand an indefinite output short circuit.
On/Off Control (Pin 3) Max. Voltages	
Referenced to -Input (pin 1)	+V _{IN}
Storage Temperature	-40 to +120°C
Lead Temperature (Soldering, 10 sec.)	+300°C
These are stress ratings. Exposure of devices to any of these conditions may adversely affect long-term reliability. Proper operation under conditions other than those listed in the Performance/Functional Specifications Table is not implied, nor recommended.	

TECHNICAL NOTES

Trimming Output Voltages

UHP converters have a trim capability (pin 7) that allows users to adjust the output voltage 5%. Adjustments can be accomplished via a trim pot, Figure 2, or a single fixed resistor as shown in Figures 3 and 4. A single fixed resistor can increase or decrease the output voltage depending on its connection. Fixed resistors should have absolute TCR's less than 100ppm/°C to minimize sensitivity to changes in temperature.

A single resistor connected from the Trim (pin 7) to the +Sense (pin 6), see Figure 3, will increase the output voltage. A resistor connected from the Trim (pin 7) to the -Sense (pin 8) will decrease the output voltage. See Figure 4.

Trim adjustments greater than +10%/-20% can have an adverse effect on the converter's performance and are not recommended.

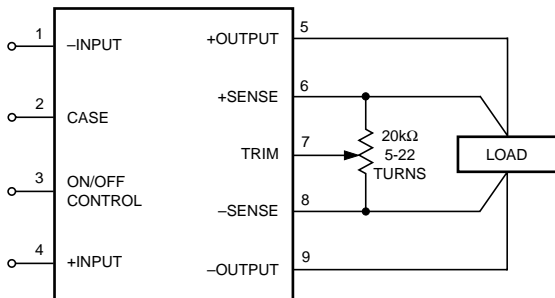


Figure 2. Trim Connections Using A Trim Pot

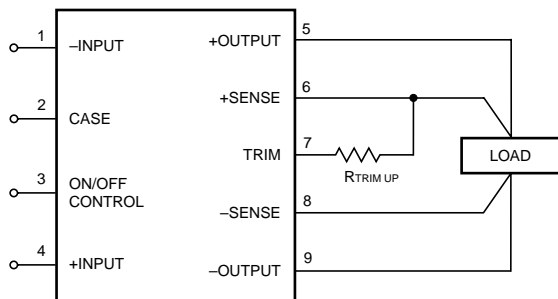


Figure 3. Trim Connections To Increase Output Voltages Using Fixed Resistors

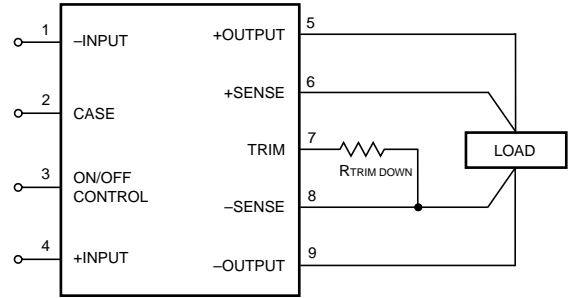


Figure 4. Trim Connections To Decrease Output Voltages Using Fixed Resistors

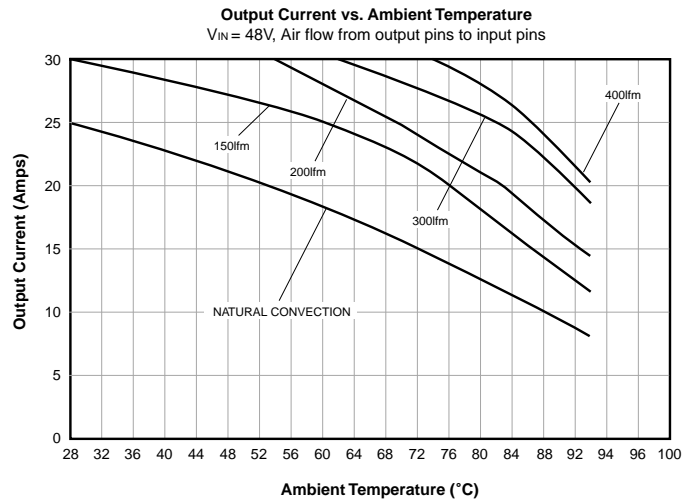
Trim Up Equation

$$R_{TUP} (k\Omega) = \frac{13.3(V_O - 1.226)}{V_O - 3.3} - 10.2$$

Trim Down Equation

$$R_{TDOWN} (k\Omega) = \frac{16.31}{3.3 - V_O} - 10.2$$

Accuracy of adjustment is subject to tolerances or resistor values and factory-adjusted output accuracy. V_O = desired output voltage.



ISO 9001 REGISTERED

DS0492

2/01

DATEL, Inc. 11 Cabot Boulevard, Mansfield, MA 02048-1151
 Tel: (508) 339-3000 (800) 233-2765 Fax: (508) 339-6356
 Internet: www.datel.com Email: sales@datel.com

DATEL (UK) LTD. Tadley, England Tel: (01256)-880444
 DATEL S.A.R.L. Montigny Le Bretonneux, France Tel: 01-34-60-01-01
 DATEL GmbH München, Germany Tel: 89-544334-0
 DATEL KK Tokyo, Japan Tel: 3-3779-1031, Osaka Tel: 6-6354-2025

DATEL makes no representation that the use of its products in the circuits described herein, or the use of other technical information contained herein, will not infringe upon existing or future patent rights. The descriptions contained herein do not imply the granting of licenses to make, use, or sell equipment constructed in accordance therewith. Specifications are subject to change without notice. The DATEL logo is a registered DATEL, Inc. trademark.