

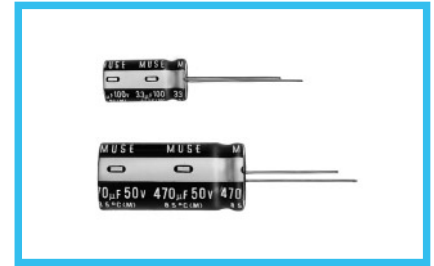
# ALUMINUM ELECTROLYTIC CAPACITORS



Premium Grade Type, For Audio Equipment



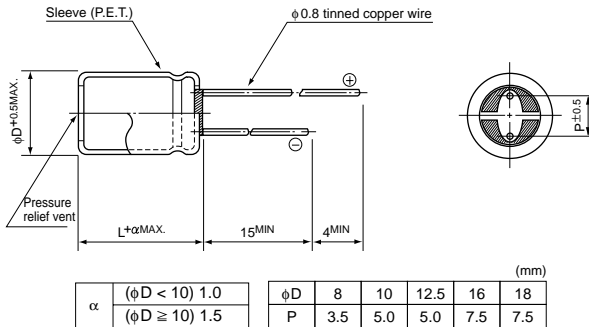
- Premium grade “nichicon MUSE” acoustic series.
- Ideally suited for first class audio equipment where qualitative and quantitative comfortableness is required.
- Compliant to the RoHS directive (2002/95/EC).



## Specifications

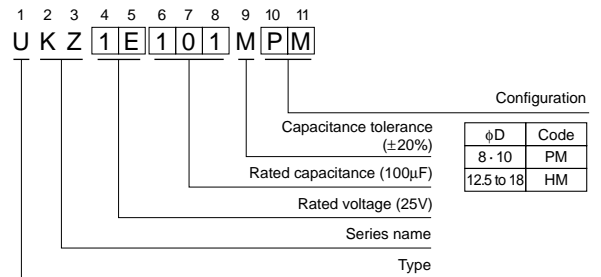
Item	Performance Characteristics				
Category Temperature Range	-40 to +85°C				
Rated Voltage Range	25 to 100V				
Rated Capacitance Range	10 to 1000μF				
Capacitance Tolerance	±20% at 120Hz, 20°C				
Leakage Current	After 1 minute's application of rated voltage, leakage current is 0.01CV or less.				
Tangent of loss angle (tan δ)	Measurement frequency : 120Hz, Temperature : 20°C				
	Rated voltage (V)	25	50	100	
	tan δ (MAX.)	0.12	0.08	0.07	
Stability at Low Temperature	Measurement frequency : 120Hz				
	Rated voltage (V)	25	50	100	
	Impedance ratio ZT / Z20 (MAX.)	Z-25°C / Z+20°C	2	2	2
		Z-40°C / Z+20°C	4	3	3
Endurance	The specifications listed at right shall be met when the capacitors are restored to 20°C after the rated voltage is applied for 1000 hours at 85°C.				
	Capacitance change	Within ±20% of the initial capacitance value			
	tan δ	150% or less than the initial specified value			
Shelf Life	After storing the capacitors under no load at 85°C for 1000 hours and then performing voltage treatment based on JIS C 5101-4 clause 4.1 at 20°C, they shall meet the specified values for the endurance characteristics listed above.				
	Leakage Current	Less than or equal to the initial specified value			
Marking	Printed with gold color letter on black sleeve.				

## Radial Lead Type



• Please refer to page 20 about the end seal configuration.

## Type numbering system (Example : 25V 100μF)



## Dimensions

$\phi D \times L$  (mm)

Cap. (μF)	V			
	Code	25	50	100
10	100	1E	1H	2A
22	220			
33	330	8 × 11.5	10 × 12.5	10 × 20
47	470	10 × 12.5	10 × 16	12.5 × 20
100	101	10 × 16	12.5 × 20	16 × 25
220	221	12.5 × 20	16 × 25	16 × 35.5
330	331	12.5 × 25	16 × 31.5	18 × 35.5
470	471	16 × 25	16 × 35.5	
1000	102	16 × 35.5	18 × 40	

Please refer to page 20, 21, 22 about the formed or taped product spec.  
Please refer to page 4 for the minimum order quantity.