

ULN2003/04

High Voltage/High Current Darlington Transistor Arrays

Product Specification

Linear Products

DESCRIPTION

These high voltage, high current Darlington transistor arrays are comprised of seven silicon NPN Darlington pairs on a common monolithic substrate. All units feature open-collector outputs and integral suppression diodes for inductive loads. Peak in-rush currents to 600mA are allowable, making them ideal for driving tungsten filament lamps, also.

The Type ULN2003 has a series base resistor to each Darlington pair, and thus allows operation directly with TTL or CMOS 5V supply voltage.

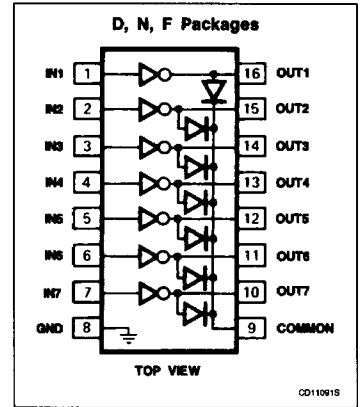
The Type ULN2004 has an appropriate series input resistor to allow its operation directly from CMOS or PMOS outputs utilizing supply voltages of 6 to 15V. The required input current is below that of the Type ULN2003.

In all cases, the individual Darlington pair collector current rating is 500mA. However, outputs may be paralleled for higher load current capability. All devices are supplied in a 16-pin dual in-line plastic package.

FEATURES

- Peak in-rush current 600mA
- Protected internally against inductive loads
- Open-collector topology
- Compatible with most logic technologies

PIN CONFIGURATION



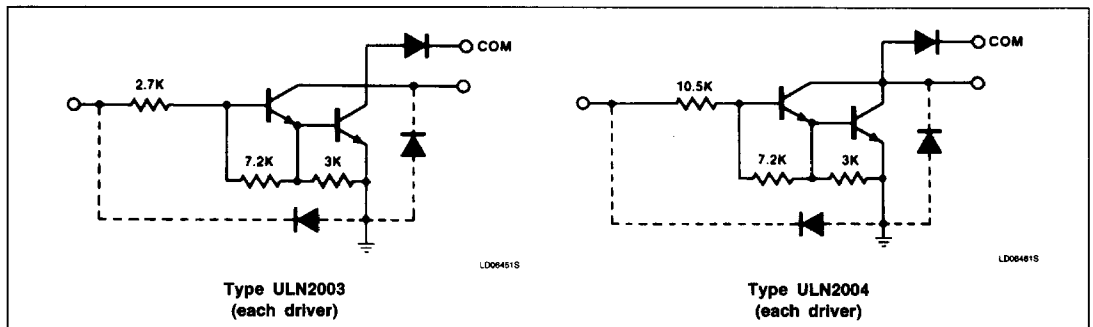
ORDERING INFORMATION

DESCRIPTION	TEMPERATURE RANGE	ORDER CODE
16-Pin Plastic DIP	0 to +70°C	ULN2003N
16-Pin Plastic DIP	0 to +70°C	ULN2004N
16-Pin Cerdip	0 to +70°C	ULN2003F
16-Pin Cerdip	0 to +70°C	ULN2004F
16-Pin Plastic SO	0 to +70°C	ULN2003D
16-Pin Plastic SO	0 to +70°C	ULN2004D

High Voltage/High Current Darlington Transistor Arrays

ULN2003/04

EQUIVALENT SCHEMATICS



ABSOLUTE MAXIMUM RATINGS $T_A = 25^\circ\text{C}$ free air temperature for any one Darlington pair unless otherwise specified.¹

SYMBOL	PARAMETER	RATING	UNIT
V_{CE}	Output voltage	50	V
V_{IN}	Input voltage	30	V
V_{EBO}	Emitter base voltage	6	V
I_C	Continuous collector current	500	mA
I_B	Continuous base current	25	mA
P_D	Maximum power dissipation ²		
	F package	1190	mW
	N package	1450	mW
	D package	1090	mW
T_J	Operating junction temperature	150	$^\circ\text{C}$
T_A	Operating ambient temperature range	0 to +85	$^\circ\text{C}$
T_{STG}	Storage temperature range	-65 to +150	$^\circ\text{C}$

NOTES:

1. Under normal operating conditions, these units will sustain 350mA per output with $V_{CE(SAT)} = 1.6\text{V}$ at 70°C with a pulse width of 20ms and a duty cycle of 30%.
2. Derate above 25°C , at the following rates:
 F package at $9.5\text{mW}/^\circ\text{C}$
 N package at $11.6\text{mW}/^\circ\text{C}$
 D package at $8.7\text{mW}/^\circ\text{C}$

High Voltage/High Current Darlington Transistor Arrays

ULN2003/04

DC ELECTRICAL CHARACTERISTICS $T_A = 25^\circ\text{C}$, unless otherwise specified.^{1, 2, 3}

SYMBOL	PARAMETER	TEST CONDITIONS	TEST FIG.	LIMITS			UNIT
				Min	Typ	Max	
I_{CEX}	Output leakage current Type ULN2004	$V_{CE} = 50\text{V}$, $T_A = 70^\circ\text{C}$ $V_{CE} = 50\text{V}$, $T_A = 70^\circ\text{C}$, $V_{IN} = 1\text{V}$	1A			100	μA
			1B			500	μA
$V_{CE(SAT)}$	Collector-emitter Saturation voltage	$I_C = 350\text{mA}$, $I_B = 500\mu\text{A}$ $I_C = 200\text{mA}$, $I_B = 350\mu\text{A}$ $I_C = 100\text{mA}$, $I_B = 250\mu\text{A}$	2		1.25	1.6	V
			2		1.1	1.3	V
			2		0.9	1.1	V
$I_{IN(ON)}$	Input current Type ULN2003 Type ULN2004	$V_{IN} = 3.85\text{V}$ $V_{IN} = 5\text{V}$ $V_{IN} = 12\text{V}$	3		0.93	1.35	mA
			3		0.35	0.5	mA
			3		1.0	1.45	mA
$I_{IN(OFF)}$	Input current	$I_C = 500\mu\text{A}$, $T_A = 70^\circ\text{C}$	4	50	65		μA
$V_{IN(ON)}$	Input voltage Type ULN2003	$V_{CE} = 2\text{V}$, $I_C = 200\text{mA}$ $V_{CE} = 2\text{V}$, $I_C = 250\text{mA}$ $V_{CE} = 2\text{V}$, $I_C = 300\text{mA}$	5			2.4	V
			5			2.7	V
			5			3.0	V
	Type ULN2004	$V_{CE} = 2\text{V}$, $I_C = 125\text{mA}$ $V_{CE} = 2\text{V}$, $I_C = 200\text{mA}$ $V_{CE} = 2\text{V}$, $I_C = 275\text{mA}$ $V_{CE} = 2\text{V}$, $I_C = 350\text{mA}$	5			5.0	V
			5			6.0	V
			5			7.0	V
			5			8.0	V
C_{IN}	Input capacitance			15	30	pF	
I_R	Clamp diode leakage current	$V_R = 50\text{V}$	6			50	μA
V_F	Clamp diode forward voltage	$I_F = 350\text{mA}$	7		1.7	2	V

NOTES:

- All limits stated apply to the complete Darlington series except as specified for a single device type.
- The $I_{IN(OFF)}$ current limit guarantees against partial turn-on of the output.
- The $V_{IN(ON)}$ voltage limit guarantees a minimum output sink current per the specified test conditions.

AC ELECTRICAL CHARACTERISTICS $T_A = 25^\circ\text{C}$, unless otherwise specified.^{1, 2, 3}

SYMBOL	PARAMETER	TEST CONDITIONS	TEST FIG.	LIMITS			UNIT
				Min	Typ	Max	
t_{PLH}	Turn-on delay	$0.5 E_{IN}$ to $0.5 E_{OUT}$			1.0	5	μs
t_{PHL}	Turn-off delay	$0.5 E_{IN}$ to $0.5 E_{OUT}$			1.0	5	μs

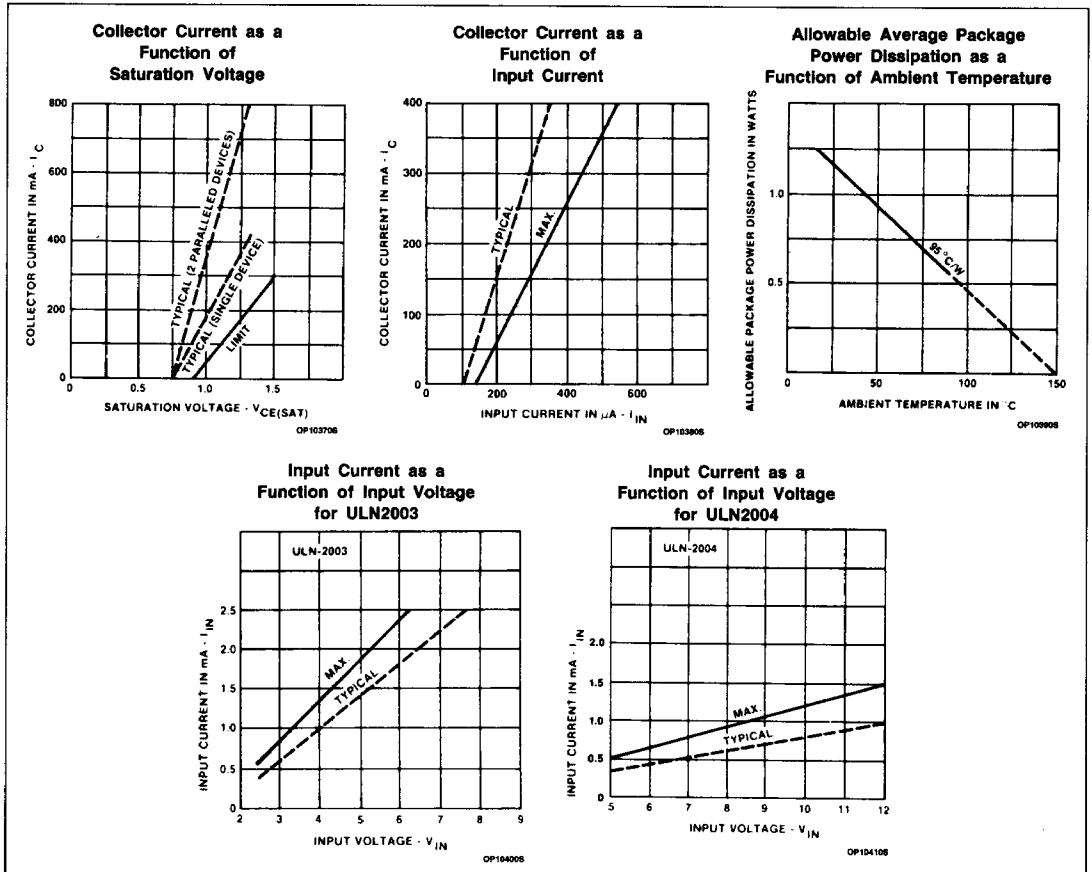
NOTES:

- All limits stated apply to the complete Darlington series except as specified for a single device type.
- The $I_{IN(OFF)}$ current limit guarantees against partial turn-on of the output.
- The $V_{IN(ON)}$ voltage limit guarantees a minimum output sink current per the specified test conditions.

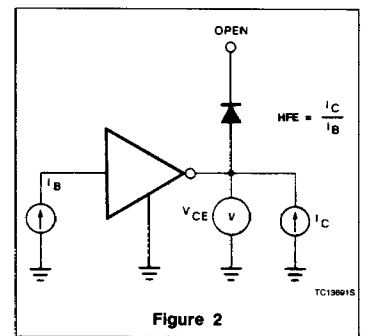
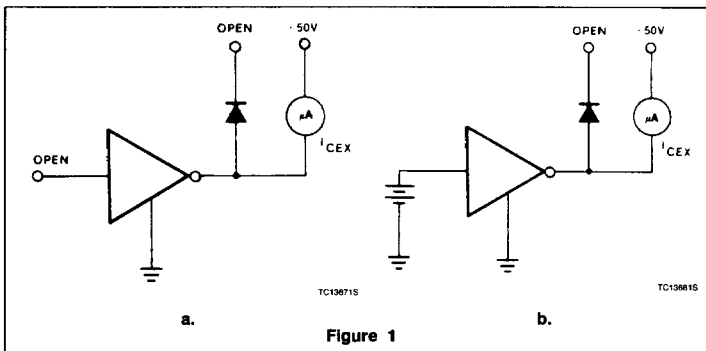
High Voltage/High Current Darlington Transistor Arrays

ULN2003/04

TYPICAL PERFORMANCE CHARACTERISTICS



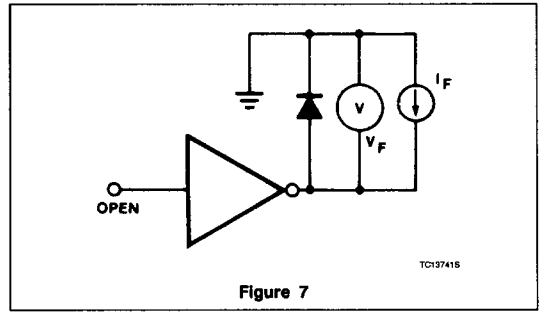
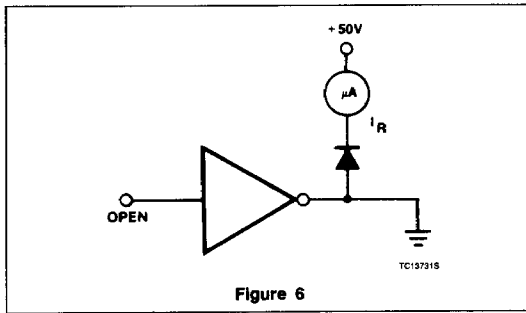
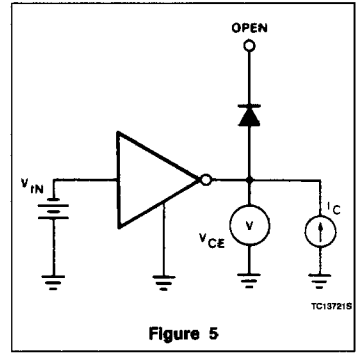
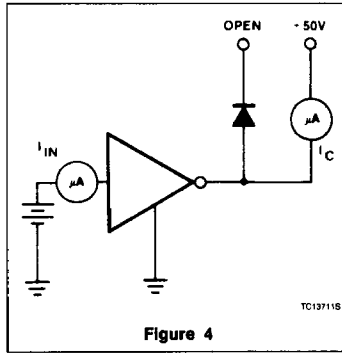
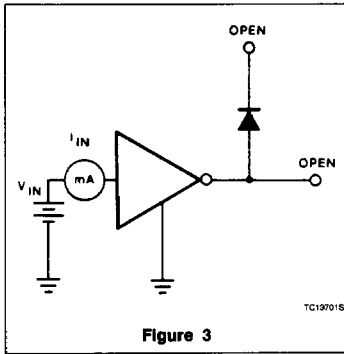
TEST CIRCUITS



High Voltage/High Current Darlington Transistor Arrays

ULN2003/04

TEST CIRCUITS (Continued)



TYPICAL APPLICATIONS

