

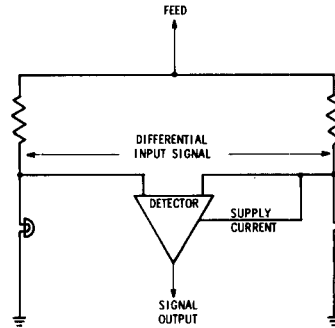
# LAMP MONITORS

## ULQ2453M, ULN2454L/M, AND ULN2455A/L

### FEATURES

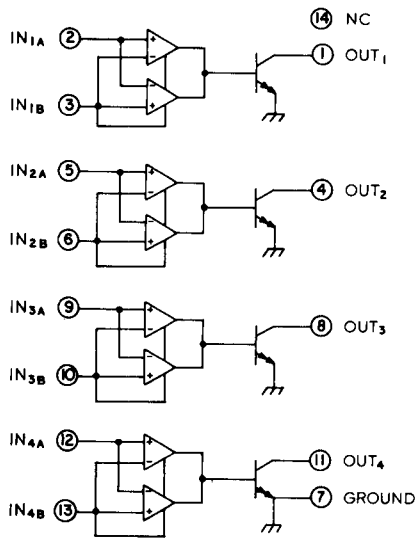
- No Standby Power Requirement
- Integral to Wiring Assembly
- Fail Safe
- Reverse-Voltage Protected
- Internal Transient Protection
- -40°C to +85°C Operating Temp. Range

### BASIC BRIDGE MONITORING SYSTEM



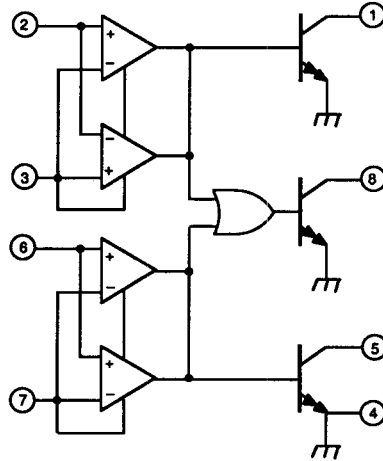
Dwg. No. A-11,473

### ULN2455A and ULN2455L



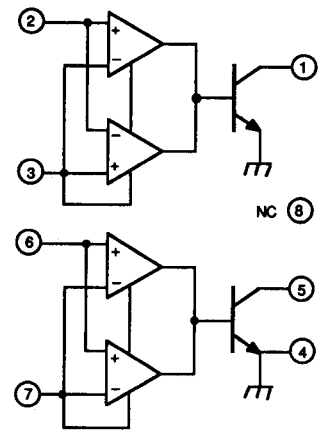
Dwg. No. A-12,033

### ULN2454L and ULN2454M



Dwg. FS-010

### ULQ2453M



Dwg. FS-009A