



ULV2362

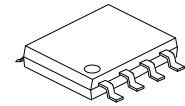
Preliminary

LINEAR INTEGRATED CIRCUIT

HIGH-PERFORMANCE LOW-VOLTAGE OPERATIONAL AMPLIFIERS

DESCRIPTION

The UTC **ULV2362** is a high-performance dual operational amplifier. This device can be operated at a very low supply voltage ($\pm 1V$), while maintaining a wide output swing. The UTC **ULV2362** offers a dramatically improved dynamic range of signal conditioning in low-voltage system. The UTC **ULV2362** also provides higher performance than other general-purpose operational amplifier by combining higher unity-gain bandwidth and faster slew rate. With its low distortion and low-noise performance, it is well suited for audio applications.



SOP-8

FEATURES

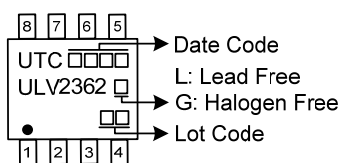
- * Low Supply-Voltage Operation: $V_{CC} = \pm 1V$ (Min.)
- * Wide Bandwidth: 7MHz (Typ.) at $V_{CC} = \pm 2.5V$
- * High Slew Rate: $3V/\mu s$ (Typ.) at $V_{CC} = \pm 2.5V$
- * Low Noise: $8nV/\sqrt{Hz}$ (Typ.) at $f = 1kHz$
- * Wide Output Voltage Swing: $\pm 2.4V$ (Typ.) at $V_{CC} = \pm 2.5V$, $R_L = 10k\Omega$

ORDERING INFORMATION

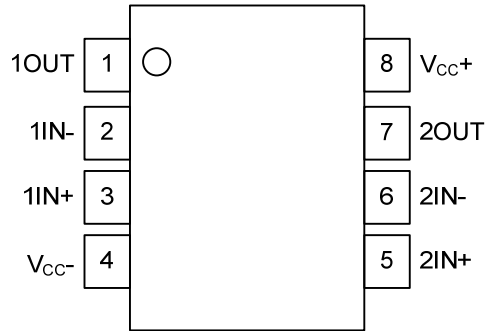
Ordering Number		Package	Packing
Lead Free	Halogen Free		
ULV2362L-S08-R	ULV2362G-S08-R	SOP-8	Tape Reel

<p>ULV2362G-S08-R</p> <ul style="list-style-type: none"> (1) Packing Type (2) Package Type (3) Green Package 	<ul style="list-style-type: none"> (1) R: Tape Reel (2) S08: SOP-8 (3) G: Halogen Free and Lead Free, L: Lead Free
---	---

MARKING



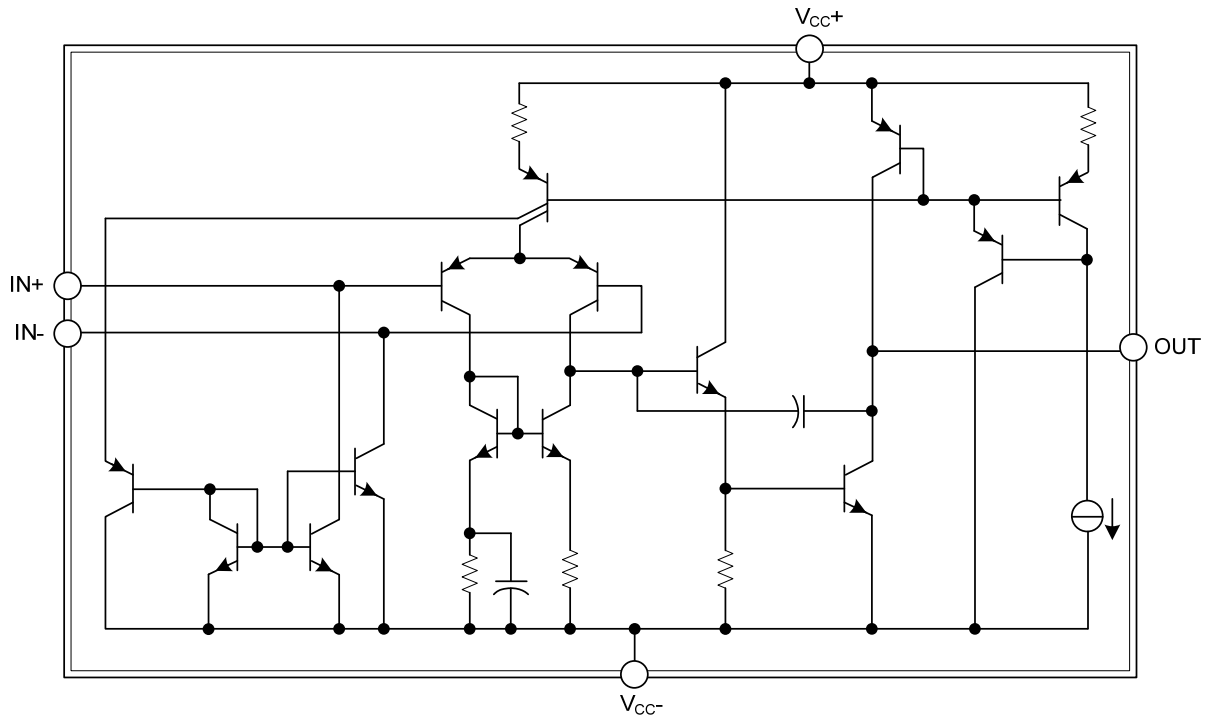
■ PIN CONFIGURATION



■ PIN DESCRIPTION

PIN NO.	PIN NAME	DESCRIPTION
1	1OUT	Channel one output
2	1IN-	Negative channel one input
3	1IN+	Positive channel one input
4	V _{CC-}	The lowest voltage
5	2IN+	Positive channel two input
6	2IN-	Negative channel two input
7	2OUT	Channel two output
8	V _{CC+}	Supply Voltage

■ BLOCK DIAGRAM



■ ABSOLUTE MAXIMUM RATING

PARAMETER	SYMBOL	RATINGS	UNIT
Supply Voltage (Note 2)	V_{CC+}	3.5	V
	V_{CC-}	-3.5	V
Differential Input Voltage (Note 3)	V_{ID}	± 3.5	V
Input Voltage (any input) (Notes 2, 4)	V_I	$\pm V_{CC}$	V
Output Voltage	V_O	± 3.5	V
Output Current	I_O	20	mA
Operating Virtual Junction Temperature	T_J	+150	$^{\circ}\text{C}$
Storage Temperature Range	T_{STG}	-65 ~ +150	$^{\circ}\text{C}$

Notes: 1. Absolute maximum ratings are those values beyond which the device could be permanently damaged.

Absolute maximum ratings are stress ratings only and functional device operation is not implied.

2. All voltage values, except differential voltages, are with respect to the midpoint between V_{CC+} and V_{CC-} .
3. Differential voltages are at $IN+$ with respect to $IN-$.
4. All input voltage values must not exceed V_{CC} .

■ RECOMMENDED OPERATING CONDITIONS

PARAMETER	SYMBOL	RATINGS	UNIT
Supply Voltage	V_{CC}	$\pm 1 \sim \pm 2.5$	V
Operating Free Air Temperature	T_A	-40 ~ +85	$^{\circ}\text{C}$

■ THERMAL DATA

PARAMETER	SYMBOL	RATINGS	UNIT
Junction to Ambient	θ_{JA}	97	$^{\circ}\text{C}/\text{W}$

■ ELECTRICAL CHARACTERISTICS ($V_{CC}=\pm 1.5\text{V}$, unless otherwise noted)

PARAMETER	SYMBOL	TEST CONDITIONS	MIN	TYP	MAX	UNIT
Input Offset Voltage	V_{IO}	$V_O=0, V_{IC}=0$		1	6	mV
Input Offset Current	I_{IO}	$V_O=0, V_{IC}=0$		5	100	nA
Input Bias Current	I_{IB}	$V_O=0, V_{IC}=0$		20	150	nA
Common-Mode Input Voltage	V_{IC}	$ V_{IO} \leq 7.5\text{mV}$	± 0.5			V
Maximum Positive-Peak Output Voltage	V_{OM+}	$R_L=10\text{k}\Omega$	1.2	1.4		V
Maximum Negative-Peak Output Voltage	V_{OM-}	$R_L=10\text{k}\Omega$	-1.2	-1.4		V
Supply Current (Per Amplifier)	I_{CC}	$V_O=0$, No load		2.5	4	mA
Large-Signal Differential Voltage Amplification	A_{VD}	$V_O=\pm 1\text{V}, R_L=10\text{k}\Omega$		55		dB
Common-Mode Rejection Ratio	CMRR	$V_{IC}=\pm 0.5\text{V}$		75		dB
Supply-Voltage Rejection Ratio	k_{SVR}	$V_{CC}=\pm 1.5\text{V} \sim \pm 2.5\text{V}$		80		dB

■ ELECTRICAL CHARACTERISTICS ($V_{CC}=\pm 2.5V$, unless otherwise specified)

PARAMETER	SYMBOL	TEST CONDITIONS	MIN	TYP	MAX	UNIT
Input Offset Voltage	V_{IO}	$V_O=0, V_{IC}=0$		1	6	mV
Input Offset Current	I_{IO}	$V_O=0, V_{IC}=0$		5	100	nA
Input Bias Current	I_{IB}	$V_O=0, V_{IC}=0$		20	150	nA
Common-Mode Input Voltage	V_{IC}	$ V_{IO} \leq 7.5mV$	± 1.5			V
Maximum Positive-Peak Output Voltage	V_{OM+}	$R_L=10k\Omega$	2	2.4		V
Maximum Negative-Peak Output Voltage	V_{OM-}	$R_L=10k\Omega$	-2	-2.4		V
Supply Current (Per Amplifier)	I_{CC}	$V_O=0, \text{No load}$		2.5	5	mA
Large-Signal Differential Voltage Amplification	A_{VD}	$V_O=\pm 1V, R_L=10k\Omega$		60		dB
Common-Mode Rejection Ratio	CMRR	$V_{IC}=\pm 0.5V$		85		dB
Supply-Voltage Rejection Ratio	k_{SVR}	$V_{CC}=\pm 1.5V \sim \pm 2.5V$		80		dB

■ OPERATING CHARACTERISTICS

$V_{CC}=\pm 1.5V, T_A=25^\circ C$

PARAMETER	SYMBOL	TEST CONDITIONS	MIN	TYP	MAX	UNIT
Slew Rate	SR	$A_V=1, V_I=\pm 0.5V$		2.5		V/ μs
Unity-Gain Bandwidth	B_1	$A_V=40, R_L=10k\Omega, C_L=100pF$		6		MHz
Equivalent Input Noise Voltage	V_n	$R_S=100\Omega, R_F=10k\Omega, f=1kHz$		9		nV/ \sqrt{Hz}

$V_{CC}=\pm 2.5V, T_A=25^\circ C$

PARAMETER	SYMBOL	TEST CONDITIONS	MIN	TYP	MAX	UNIT
Slew Rate	SR	$A_V=1, V_I=\pm 0.5V$		3		V/ μs
Unity-Gain Bandwidth	B_1	$A_V=40, R_L=10k\Omega, C_L=100pF$		7		MHz
Equivalent Input Noise Voltage	V_n	$R_S=100\Omega, R_F=10k\Omega, f=1kHz$		8		nV/ \sqrt{Hz}
Total Harmonic Distortion, Plus Noise	THD+N	$A_V=1, V_O=\pm 1.2V, R_L=10k\Omega, f=3kHz$		0.004		%

UTC assumes no responsibility for equipment failures that result from using products at values that exceed, even momentarily, rated values (such as maximum ratings, operating condition ranges, or other parameters) listed in products specifications of any and all UTC products described or contained herein. UTC products are not designed for use in life support appliances, devices or systems where malfunction of these products can be reasonably expected to result in personal injury. Reproduction in whole or in part is prohibited without the prior written consent of the copyright owner. UTC reserves the right to make changes to information published in this document, including without limitation specifications and product descriptions, at any time and without notice. This document supersedes and replaces all information supplied prior to the publication hereof.