

## ***2-Bit Bidirectional Voltage-Level Translator for Open-Drain and Push-Pull Application***

**UM3202Q DFN8 1.70×1.35**

**UM3202H CSP8 1.9×0.9**

**UM3202V VSSOP8**

### **General Description**

The UM3202Q/3202H/3202V is  $\pm 15\text{kV}$  dual channel ESD-protected level translator provide the level shifting necessary to allow data transfer in a multi-voltage system. Externally applied voltages,  $V_{CCB}$  and  $V_{CCA}$ , set the logic levels on either side of the device. A low-voltage logic signal present on the  $V_{CCA}$  side of the device appears as a high-voltage logic signal on the  $V_{CCB}$  side of the device, and vice-versa. The UM3202Q/3202H/3202V bidirectional level translator utilizes a transmission-gate based design to allow data translation in either direction ( $V_{CCA} \leftrightarrow V_{CCB}$ ) on any single data line. The UM3202Q/3202H/3202V accepts  $V_{CCA}$  from +1.65V to +3.6V and  $V_{CCB}$  from +2.3V to +5.5V, making it ideal for data transfer between low-voltage ASICs / PLDs and higher voltage systems.

The UM3202Q/3202H/3202V enters a three-state output mode to reduce supply current when output enable (OE) is low. The UM3202Q/3202H/3202V is designed so that the OE input circuit is supplied by  $V_{CCA}$ .  $\pm 15\text{kV}$  ESD protection on the  $V_{CCB}$  side for greater protection in applications that route signals externally.

The UM3202Q/3202H/3202V is a dual level translator available in DFN8 1.70×1.35, CSP8 1.9×0.9 and VSSOP8 packages.

### **Applications**

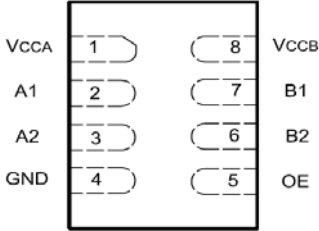
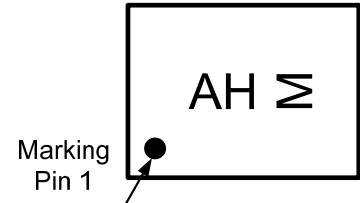
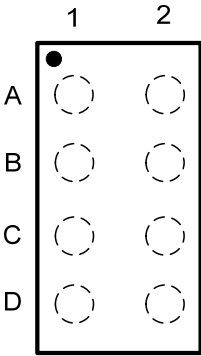
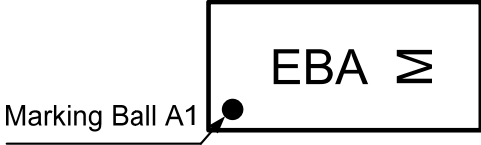
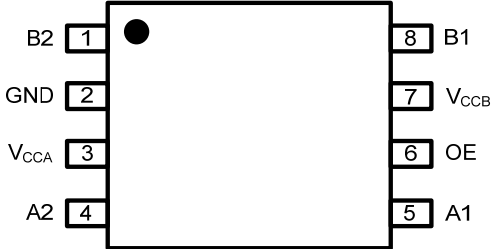
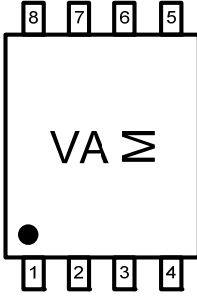
- SPI, MICROWIRE, and I<sup>2</sup>C Level Translation
- Low-Voltage ASIC Level Translation
- Smart Card Readers
- Cell-Phone Cradles
- Portable POS Systems
- Portable Communication Devices
- Low-Cost Serial Interfaces
- Cell-Phones
- GPS
- Telecommunications Equipment

### **Features**

- Max Data Rates:  
24Mbps (Push Pull),  
2Mbps (Open Drain)
- Bidirectional Level Translation
- 1.65V to 3.6V on A Port and 2.3V to 5.5V on B Port ( $V_{CCA} \leq V_{CCB}$ )
- $\pm 15\text{kV}$  ESD Protection on B Port
- No Power-Supply Sequencing Required  
 $V_{CCA}$  or  $V_{CCB}$  can be Ramped First
- DFN8, CSP8 and VSSOP8 Packages

## Pin Configurations

## Top View

<p style="text-align: center;"><b>(Top View)</b></p> 	 <p style="text-align: center;"><b>M: Month Code</b> <b>UM3202Q</b> <b>DFN8 1.70×1.35</b></p>
<p style="text-align: center;"><b>(Top View)</b></p> 	 <p style="text-align: center;"><b>M: Month Code</b> <b>UM3202H</b> <b>CSP8 1.9×0.9</b></p>
	 <p style="text-align: center;"><b>M: Month Code</b> <b>UM3202V</b> <b>VSSOP8</b></p>

## Ball Mapping for UM3202H

	1	2
A	B2	B1
B	GND	V <sub>CCB</sub>
C	V <sub>CCA</sub>	OE
D	A2	A1

Transparent Top View

## Pin Description

Pin Name	Function
V <sub>CCA</sub>	A-Port Supply Voltage. $1.65V \leq V_{CCA} \leq 3.6V$ and $V_{CCA} \leq V_{CCB}$
A1	Input/Output 1. Referenced to V <sub>CCA</sub>
A2	Input/Output 2. Referenced to V <sub>CCA</sub>
GND	Ground
OE	3-State Output Enable. Pull OE low to place all outputs in 3-state mode. Referenced to V <sub>CCA</sub>
B2	Input/Output 2. Referenced to V <sub>CCB</sub>
B1	Input/Output 1. Referenced to V <sub>CCB</sub>
V <sub>CCB</sub>	B-Port Supply Voltage. $2.3V \leq V_{CCB} \leq 5.5V$

## Ordering Information

Part Number	Packaging Type	Marking Code	Shipping Qty
UM3202Q	DFN8 1.70×1.35	AH	3000pcs/7 Inch Tape & Reel
UM3202H	CSP8 1.9×0.9	EBA	
UM3202V	VSSOP8	VA	

**Absolute Maximum Ratings (Note 1)**

Over operating free-air temperature range (unless otherwise noted)

Symbol	Parameter		Value	Unit
$V_{CCA}$	Supply Voltage Range		-0.5 to +4.5	V
$V_{CCB}$	Supply Voltage Range		-0.5 to +6.5	V
$V_I$	Input Voltage Range	A Ports	-0.5 to +4.5	V
		B Ports	-0.5 to +6.5	
$V_O$	Voltage Range Applied to Any Output in the High-Impedance or Power-Off State	A Ports	-0.5 to +4.5	V
		B Ports	-0.5 to +6.5	
$V_O$	Voltage Range Applied to Any Output in the High or Low State (Note 2)	A Ports	-0.5 to ( $V_{CCA}+0.5$ )	V
		B Ports	-0.5 to ( $V_{CCB}+0.5$ )	
$I_{IK}$	Input Clamp Current	$V_I < 0$	-50	mA
$I_{OK}$	Output Clamp Current	$V_O < 0$	-50	mA
$I_O$	Continuous Output Current		$\pm 50$	mA
	Continuous Current through $V_{CCA}$ , $V_{CCB}$ , or GND		$\pm 100$	
$T_{OP}$	Operating Temperature Range		-40 to +85	$^{\circ}\text{C}$
$T_{STG}$	Storage Temperature Range		-65 to +150	$^{\circ}\text{C}$

Note 1. Stresses beyond those listed under "absolute maximum ratings" may cause permanent damage to the device. These are stress ratings only and functional operation of the device at these or any other conditions beyond those indicated under "recommended operating conditions" is not implied. Exposure to absolute-maximum-rated conditions for extended periods may affect device reliability.

Note 2. The value of  $V_{CCA}$  and  $V_{CCB}$  are provided in the recommended operating conditions table.

**Recommended Operating Conditions (Note 1, 2)**

Symbol	Parameter		$V_{CCA}$	$V_{CCB}$	Min	Max	Unit
$V_{CCA}$	Supply Voltage				1.65	3.6	V
$V_{CCB}$					2.3	5.5	
$V_{IH}$	High Level Input Voltage	A-Port	1.65V to 1.95V	2.3V to 5.5V	$V_{CCI}-0.2$	$V_{CCI}$	V
			2.3V to 3.6V		$V_{CCI}-0.4$	$V_{CCI}$	
		B-Port	1.65V to 3.6V	2.3V to 5.5V	$V_{CCI}-0.4$	$V_{CCI}$	
		OE			$V_{CCA}\times 0.65$	5.5	
$V_{IL}$	Low Level Input Voltage	A-Port	1.65V to 3.6V	2.3V to 5.5V	0	0.15	V
		B-Port			0	0.15	
		OE			0	$V_{CCA}\times 0.35$	
$\Delta t/\Delta V$	Input Transition Rise or Fall Time	A-Port Push-Pull Driving	1.65V to 3.6V	2.3V to 5.5V		10	ns/V
		B-Port Push-Pull Driving				10	
		Control Input				10	

Note 1.  $V_{CCI}$  is the supply voltage associated with the input port.

Note 2.  $V_{CCA}$  must be less than or equal to  $V_{CCB}$  and must not exceed 3.6 V.

**Electrical Characteristics (Note 1, 2, 3)**

Over recommended operating free-air temperature range (unless otherwise noted)

Parameter	Test Conditions	V <sub>CCA</sub>	V <sub>CCB</sub>	T <sub>A</sub> =25°C		-40°C to 85°C		Unit
				Typ	Max	Min	Max	
V <sub>OHA</sub>	I <sub>OH</sub> =-20μA	1.65V to 3.6V	2.3V to 5.5V			V <sub>CCA</sub> ×0.8		V
V <sub>OLA</sub>	I <sub>OL</sub> =1mA	1.65V to 3.6V	2.3V to 5.5V			0.4		V
V <sub>OHB</sub>	I <sub>OH</sub> =-20μA	1.65V to 3.6V	2.3V to 5.5V			V <sub>CCB</sub> ×0.8		V
V <sub>OLB</sub>	I <sub>OL</sub> =1mA	1.65V to 3.6V	2.3V to 5.5V			0.4		V
I <sub>I</sub>	OE	V <sub>I</sub> =V <sub>CCI</sub> or GND	1.65V to 3.6V	2.3V to 5.5V	±1		±2	μA
I <sub>OZ</sub>	A or B Port	OE=V <sub>IL</sub>	1.65V to 3.6V	2.3V to 5.5V	±1		±2	μA
I <sub>CCA</sub>	V <sub>I</sub> =V <sub>O</sub> =open, I <sub>O</sub> =0	1.65V to V <sub>CCB</sub>	2.3V to 5.5V			2.4		μA
		3.6V	0V			2.2		
		0V	5.5V			-1		
I <sub>CCB</sub>	V <sub>I</sub> =V <sub>O</sub> =open, I <sub>O</sub> =0	1.65V to V <sub>CCB</sub>	2.3V to 5.5V			12		μA
		3.6V	0V			-1		
		0V	5.5V			1		
I <sub>CCA</sub> +I <sub>CCB</sub>	V <sub>I</sub> =V <sub>O</sub> =open, I <sub>O</sub> =0	1.65V to 3.6V	2.3V to 5.5V			14.4		μA
C <sub>i</sub>	OE		3.3V	3.3V	2.5		3.5	pF
C <sub>IO</sub>	A Port		3.3V	3.3V	5		6.5	pF
	B Port				12		16.5	

 Note 1. V<sub>CCI</sub> is the supply voltage associated with the input port.

 Note 2. V<sub>CCO</sub> is the supply voltage associated with the output port.

 Note 3. V<sub>CCA</sub> must be less than or equal to V<sub>CCB</sub> and must not exceed 3.6V.

**Timing Requirements**

 Over recommended operating free-air temperature range, V<sub>CCA</sub>=1.8V±0.15V (unless otherwise noted)

			V <sub>CCB</sub> =2.5V ±0.2V		V <sub>CCB</sub> =3.3V ±0.3V		V <sub>CCB</sub> =5V ±0.5V		Unit
			Min	Max	Min	Max	Min	Max	
Data Rate	Push-Pull Driving		24		24		24		Mbps
	Open-Drain Driving		2		2		2		
t <sub>w</sub> Pulse Duration	Push-Pull Driving	Data	41		41		41		ns
	Open-Drain Driving	Inputs	500		500		500		

**Timing Requirements (Continued)**

 Over recommended operating free-air temperature range, V<sub>CCA</sub>=2.5V±0.2V (unless otherwise noted)

			V <sub>CCB</sub> =2.5V ±0.2V		V <sub>CCB</sub> =3.3V ±0.3V		V <sub>CCB</sub> =5V ±0.5V		Unit
			Min	Max	Min	Max	Min	Max	
Data Rate	Push-Pull Driving		24		24		24		Mbps
	Open-Drain Driving		2		2		2		
t <sub>w</sub> Pulse Duration	Push-Pull Driving	Data	41		41		41		ns
	Open-Drain Driving	Inputs	500		500		500		

**Timing Requirements (Continued)**

Over recommended operating free-air temperature range,  $V_{CCA}=3.3V \pm 0.3V$  (unless otherwise noted)

		$V_{CCB}=3.3V \pm 0.3V$		$V_{CCB}=5V \pm 0.5V$		Unit
		Min	Max	Min	Max	
Data Rate	Push-Pull Driving	24		24		Mbps
	Open-Drain Driving	2		2		
$t_w$ Pulse Duration	Push-Pull Driving	41		41		ns
	Open-Drain Driving	500		500		

**Switching Characteristics**

Over recommended operating free-air temperature range,  $V_{CCA}=1.8V \pm 0.15V$  (unless otherwise noted)

Parameter	From (Input)	To (Output)	Test Conditions	$V_{CCB}=2.5V \pm 0.2V$		$V_{CCB}=3.3V \pm 0.3V$		$V_{CCB}=5V \pm 0.5V$		Unit
				Min	Max	Min	Max	Min	Max	
$t_{PHL}$	A	B	Push-Pull	4.6		4.7		5.8		ns
			Open-Drain	2.9	8.8	2.9	9.6	3	10	
$t_{PLH}$			Push-Pull	6.8		6.8		7		
			Open-Drain	45	260	36	208	27	198	
$t_{PHL}$	B	A	Push-Pull	4.4		4.5		4.7		ns
			Open-Drain	1.9	5.3	1.1	4.4	1.2	4	
$t_{PLH}$			Push-Pull	5.3		4.5		0.5		
			Open-Drain	45	175	36	140	27	102	
$t_{en}$	OE	A	200		200		200		ns	
		B	200		200		200			
$t_{dis}$	OE	A	50		40		35		ns	
		B	50		40		35			
$t_{rA}$	A Port Rise Time		Push-Pull	3.2	9.5	2.3	9.3	2	7.6	ns
			Open-Drain	38	165	30	132	22	95	
$t_{rB}$	B Port Rise Time		Push-Pull	4	10.8	2.7	9.1	2.7	7.6	ns
			Open-Drain	34	145	23	106	10	58	
$t_{fA}$	A Port Fall Time		Push-Pull	2	5.9	1.9	6	1.7	13.3	ns
			Open-Drain	4.4	6.9	4.3	6.4	4.2	6.1	
$t_{fB}$	B Port Fall Time		Push-Pull	2.9	7.6	2.8	7.5	2.8	8.8	ns
			Open-Drain	6.9	13.8	7.5	16.2	7	16.2	
$t_{SK(O)}$	Channel-to-Channel			1		1		1		ns
Max Data Rate			Push-Pull	24		24		24		Mbps
			Open-Drain	2		2		2		

**Switching Characteristics (Continued)**

Over recommended operating free-air temperature range,  $V_{CCA}=2.5V \pm 0.2V$  (unless otherwise noted)

Parameter	From (Input)	To (Output)	Test Conditions	$V_{CCB}=2.5V \pm 0.2V$		$V_{CCB}=3.3V \pm 0.3V$		$V_{CCB}=5V \pm 0.5V$		Unit
				Min	Max	Min	Max	Min	Max	
$t_{PHL}$	A	B	Push-Pull		3.2		3.3		3.4	ns
			Open-Drain	1.7	6.3	2	6	2.1	5.8	
$t_{PLH}$			Push-Pull		3.5		4.1		4.4	
			Open-Drain	43	250	36	206	27	190	
$t_{PHL}$	B	A	Push-Pull		3		3.6		4.3	ns
			Open-Drain	1.8	4.7	2.6	4.2	1.2	4	
$t_{PLH}$			Push-Pull		2.5		1.6		0.7	
			Open-Drain	44	170	37	140	27	103	
$t_{en}$	OE	A		200		200		200	ns	
		B		200		200		200		
$t_{dis}$	OE	A		50		40		35	ns	
		B		50		40		35		
$t_{rA}$	A Port Rise Time	Push-Pull	2.8	7.4	2.6	6.6	1.8	5.6	ns	
		Open-Drain	34	149	28	121	24	89		
$t_{rB}$	B Port Rise Time	Push-Pull	3.2	8.3	2.9	7.2	2.4	6.1	ns	
		Open-Drain	35	151	24	112	12	64		
$t_{fA}$	A Port Fall Time	Push-Pull	1.9	5.7	1.9	5.5	1.8	5.3	ns	
		Open-Drain	4.4	6.9	4.3	6.2	4.2	5.8		
$t_{fB}$	B Port Fall Time	Push-Pull	2.2	7.8	2.4	6.7	2.6	6.6	ns	
		Open-Drain	5.1	8.8	5.4	9.4	5.4	10.4		
$t_{SK(O)}$	Channel-to-Channel			1		1		1	ns	
Max Data Rate			Push-Pull	24		24		24	Mbps	
			Open-Drain	2		2		2		

**Switching Characteristics (Continued)**

Over recommended operating free-air temperature range,  $V_{CCA}=3.3V \pm 0.3V$  (unless otherwise noted)

Parameter	From (Input)	To (Output)	Test Conditions	$V_{CCB}=3.3V \pm 0.3V$		$V_{CCB}=5V \pm 0.5V$		Unit
				Min	Max	Min	Max	
$t_{PHL}$	A	B	Push-Pull		2.4		3.1	ns
			Open-Drain	1.2	4.2	1.4	4.6	
$t_{PLH}$			Push-Pull		4.2		4.4	
Open-Drain			36	204	28	165		
$t_{PHL}$	B	A	Push-Pull		2.5		3.3	ns
$t_{PLH}$			Open-Drain	1	124	1	97	
			Push-Pull		2.5		2.6	
Open-Drain			3	139	3	105		
$t_{en}$	OE	A		200		200	ns	
		B		200		200		
$t_{dis}$	OE	A		40		35	ns	
		B		40		35		
$t_{rA}$	A Port Rise Time		Push-Pull	2.3	5.6	1.9	4.8	ns
			Open-Drain	25	116	19	85	
$t_{rB}$	B Port Rise Time		Push-Pull	2.5	6.4	2.1	7.4	ns
			Open-Drain	26	116	14	72	
$t_{fA}$	A Port Fall Time		Push-Pull	2	5.4	1.9	5	ns
			Open-Drain	4.3	6.1	4.2	5.7	
$t_{fB}$	B Port Fall Time		Push-Pull	2.3	7.4	2.4	7.6	ns
			Open-Drain	5	7.6	4.8	8.3	
$t_{SK(O)}$	Channel-to-Channel			1		1	ns	
Max Data Rate			Push-Pull	24		24	Mbps	
			Open-Drain	2		2		



## Applications Information

The UM3202Q/3202H/3202V can be used in level-translation applications for interfacing devices or systems operating at different interface voltages with one another. The UM3202Q/3202H/3202V is ideal for use in application where an open-drain driver is connected to the data I/Os. The UM3202Q/3202H/3202V can also be used in applications where a push-pull driver is connected to the data I/Os, but the UM3302 might be a better option for such push-pull applications.

## Block Diagram

The UM3202Q/3202H/3202V (block diagram see Figure 1) does not require a direction-control signal to control the direction of data flow from A to B or from B to A. Each A-port I/O has an internal 10kΩ pull-up resistor to  $V_{CCA}$ , and each B-port I/O has an internal 10kΩ pull-up resistor to  $V_{CCB}$ . During a rising edge, the one-shot turns on the PMOS transistors (PU1, PU2) for a short duration, that speeds up the low-to-high transition.

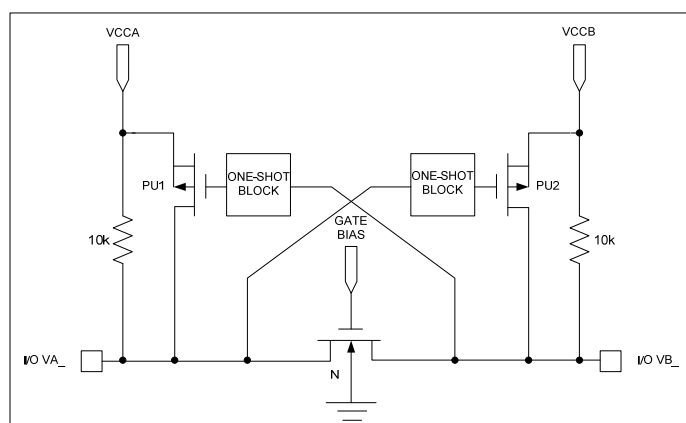


Figure 1 Block Diagram of UM3202Q/3202H/3202V I/O Cell

## Input Driver Requirements

The fall time ( $t_{fA}$ ,  $t_{fB}$ ) of a signal depends on the output impedance of the external device driving the data I/Os of the UM3202Q/3202H/3202V. Similarly, the  $t_{pHL}$  and the maximum data rates also depend on the output impedance of the external driver. The values for  $t_{fA}$ ,  $t_{fB}$ ,  $t_{pHL}$ , and the maximum data rates in the data sheet assume that the output impedance of the external driver is less than 50Ω.

## Power Up

During operation, ensure that  $V_{CCA} \leq V_{CCB}$  at all times. During power-up sequencing,  $V_{CCA} \geq V_{CCB}$  does not damage the device, so any power supply can be ramped up first.

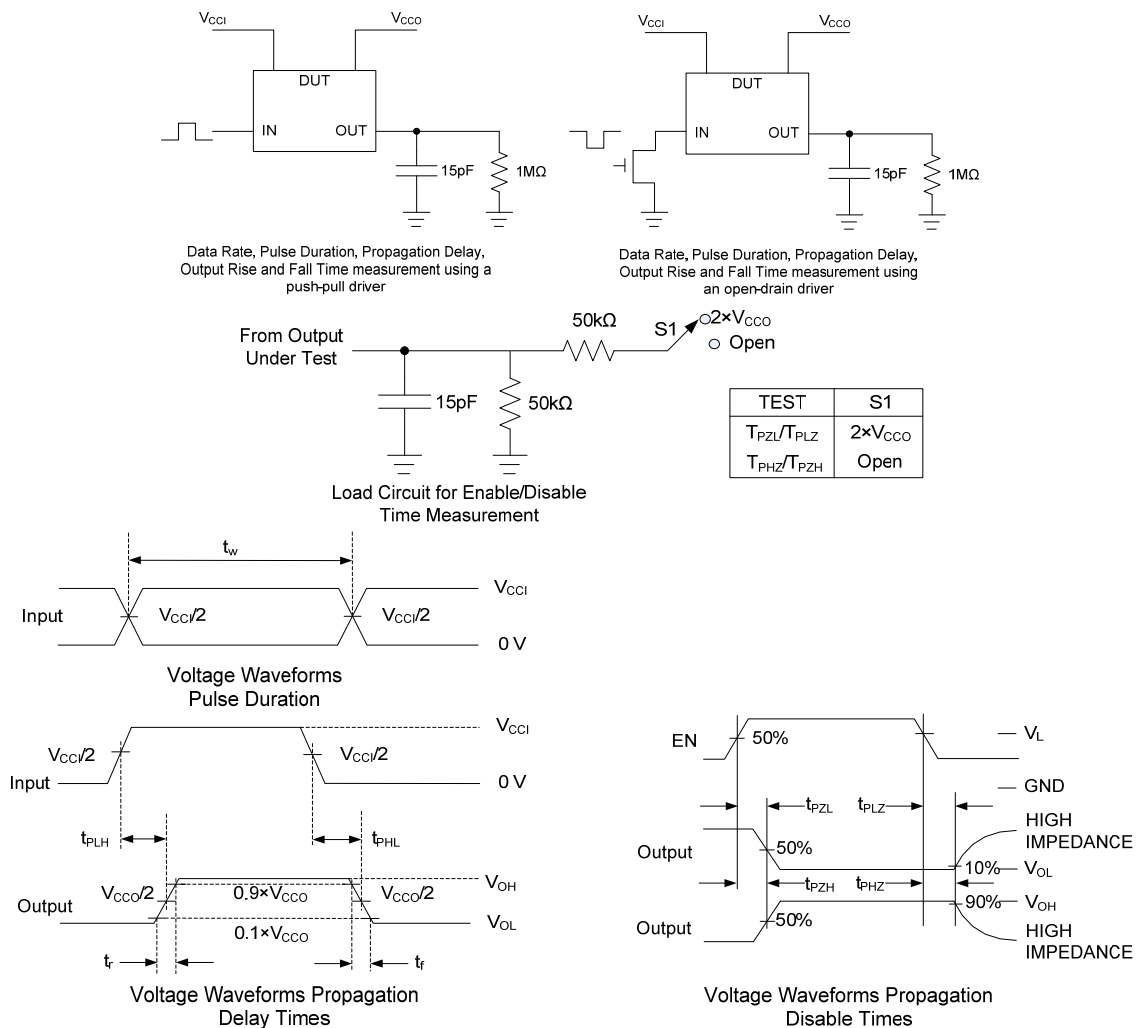
## Enable and Disable

The UM3202Q/3202H/3202V has an OE input that is used to disable the device by setting OE=low, which places all I/Os in the high-impedance (Hi-Z) state. The disable time ( $t_{dis}$ ) indicates the delay between the time when OE goes low and when the outputs actually get disabled (Hi-Z). The enable time ( $t_{en}$ ) indicates the amount of time the user must allow for the one-shot circuitry to become operational after OE is taken high.

## Pull-up or Pull-down Resistors on I/O Lines

Each A-port I/O has an internal 10kΩ pull-up resistor to  $V_{CCA}$ , and each B-port I/O has an internal 10kΩ pull-up resistor to  $V_{CCB}$ . If a smaller value of pull-up resistor is required, an external resistor must be added from the I/O to  $V_{CCA}$  or  $V_{CCB}$  (in parallel with the internal 10kΩ resistor).

## Test Circuits



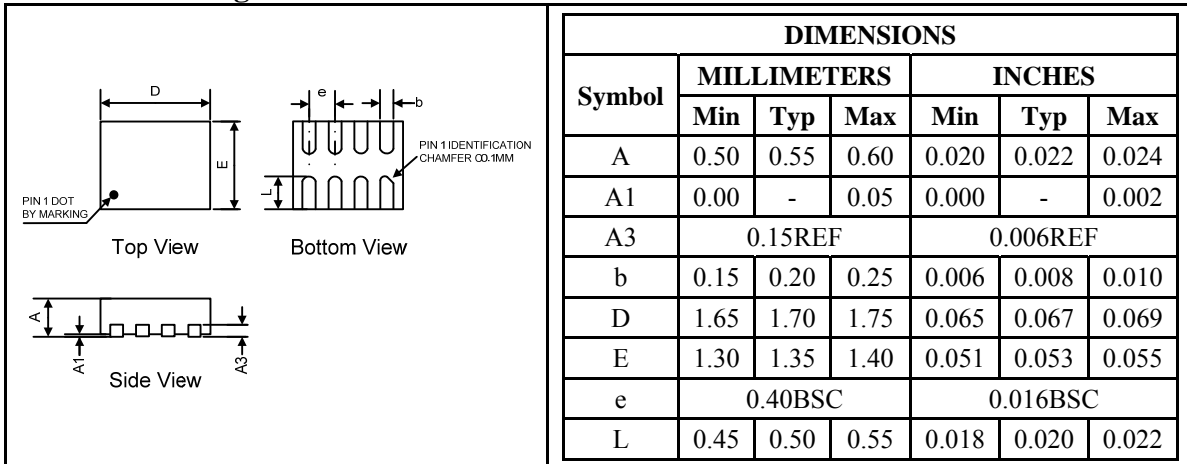
- A.  $C_L$  includes probe and jig capacitances.
- B. Waveform 1 is for an output with internal conditions such that the output is low, except when disabled by the output control.
- Waveform 2 is for an output with internal conditions such that the output is high, except when disabled by the output control.
- C. All input pulses are supplied by generators having the following characteristics:  $PRR \leq 100\text{MHz}$ ,  $Z_0 = 50\Omega$ ,  $dV/dt \geq 1\text{V/ns}$ .
- D. The outputs are measured one at a time, with one transition per measurement.
- E.  $T_{PLZ}$  and  $T_{PHZ}$  are the same as  $t_{dis}$ .
- F.  $T_{PZL}$  and  $T_{PZH}$  are the same as  $t_{en}$ .
- G.  $T_{PLH}$  and  $T_{PHL}$  are the same as  $t_{pd}$ .
- H.  $V_{CCI}$  is the  $V_{CC}$  associated with the input port.
- I.  $V_{CCO}$  is the  $V_{CC}$  associated with the output port.
- J. All parameters and waveforms are not applicable to all devices.

**Figure 2 Load Circuits and Voltage Waveforms**

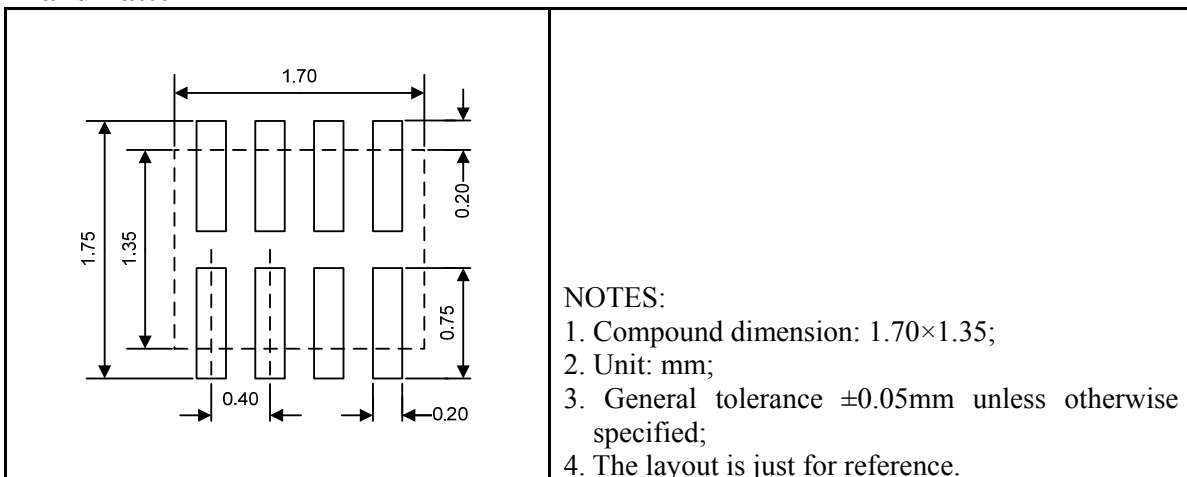
## Package Information

### UM3202Q: DFN8 1.70×1.35

#### Outline Drawing



#### Land Pattern

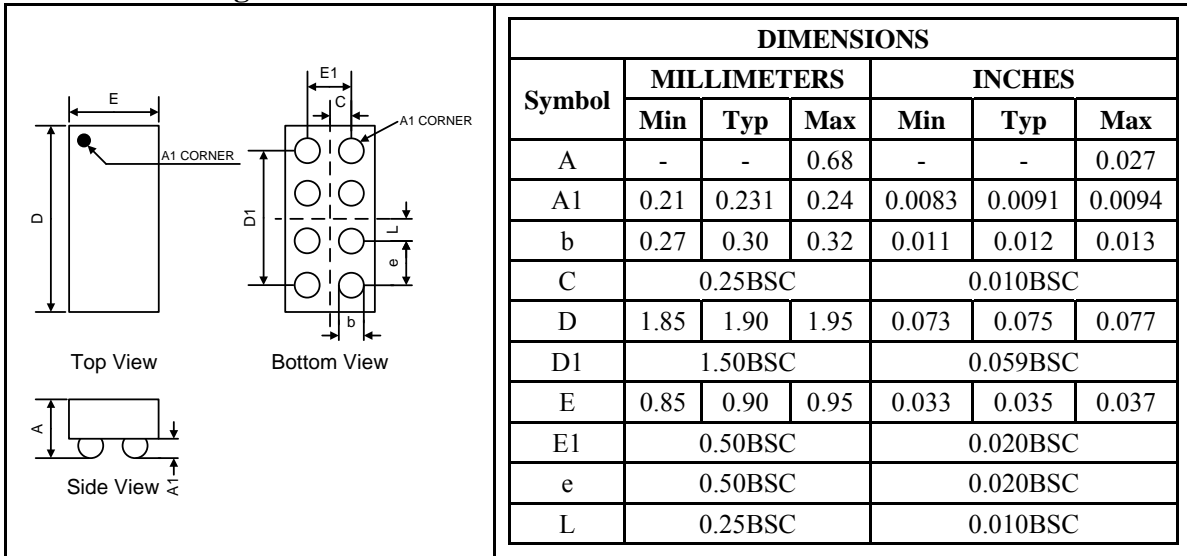


#### Tape and Reel Orientation

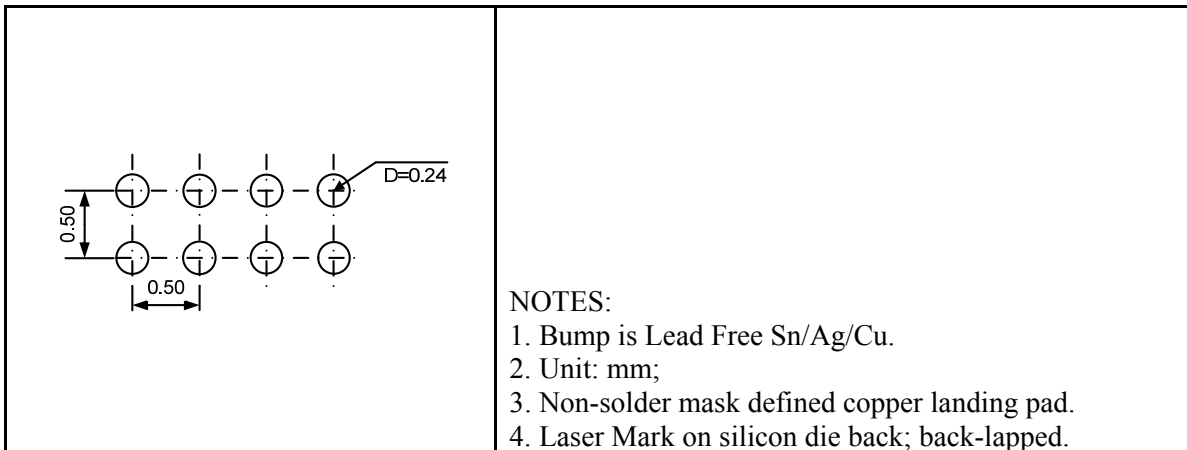


## UM3202H: CSP8 1.9×0.9

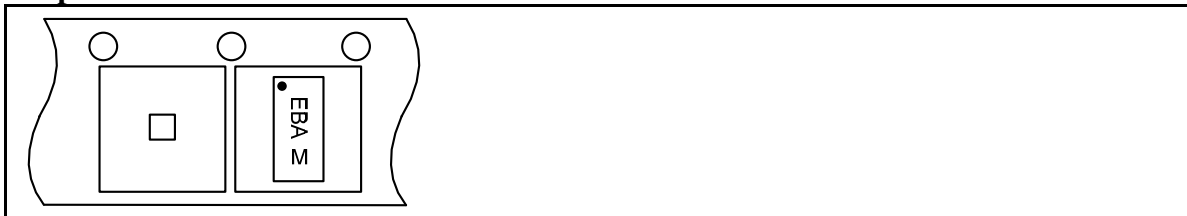
### Outline Drawing



### Land Pattern

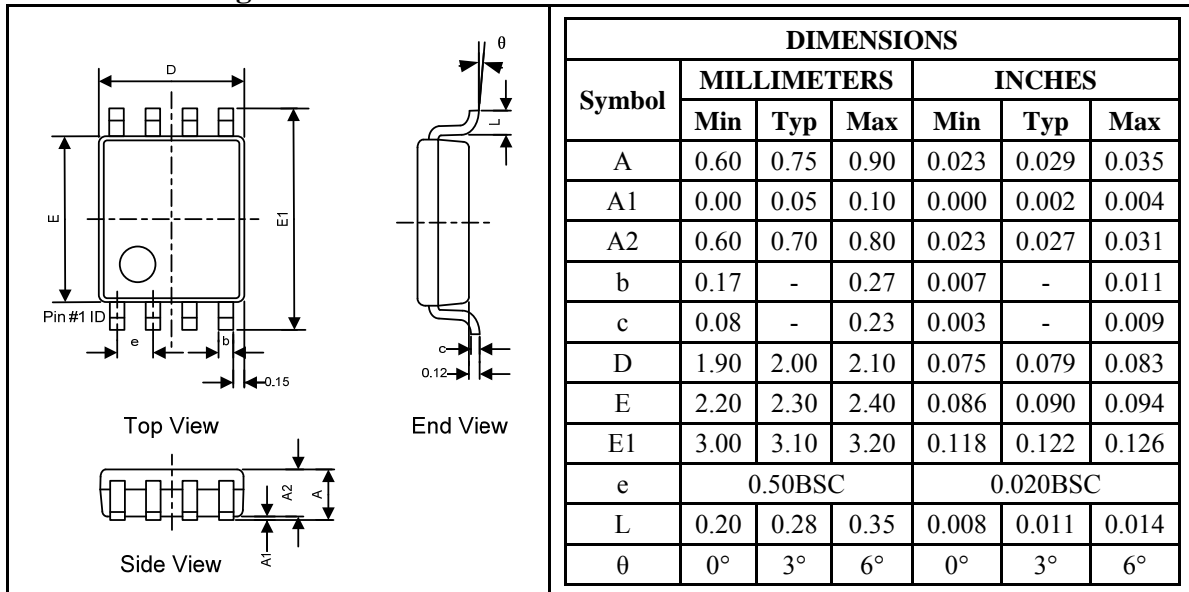


### Tape and Reel Orientation

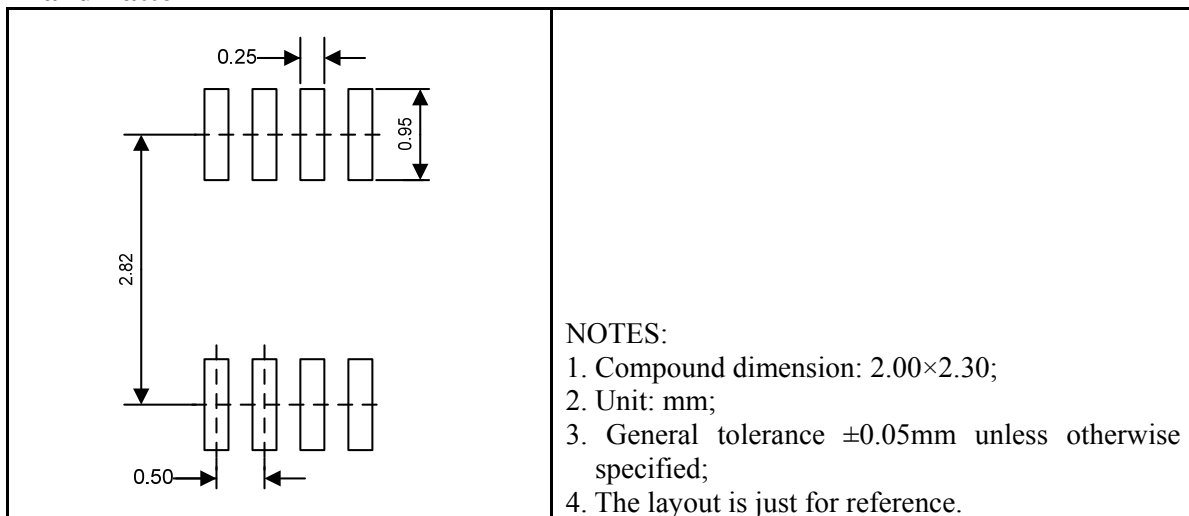


## UM3202V: VSSOP8

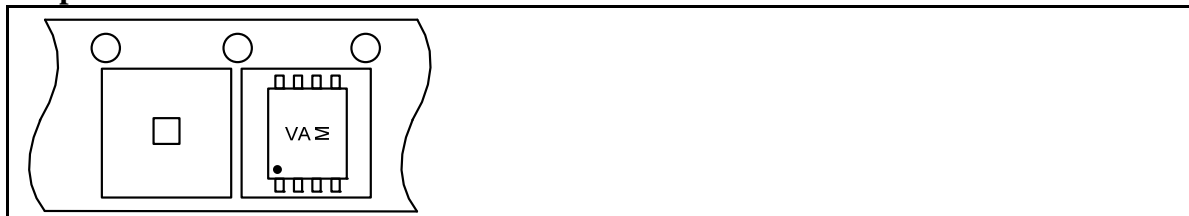
### Outline Drawing



### Land Pattern



### Tape and Reel Orientation



---

## **GREEN COMPLIANCE**

Union Semiconductor is committed to environmental excellence in all aspects of its operations including meeting or exceeding regulatory requirements with respect to the use of hazardous substances. Numerous successful programs have been implemented to reduce the use of hazardous substances and/or emissions.

All Union components are compliant with the RoHS directive, which helps to support customers in their compliance with environmental directives. For more green compliance information, please visit:

[http://www.union-ic.com/index.aspx?cat\\_code=RoHSDeclaration](http://www.union-ic.com/index.aspx?cat_code=RoHSDeclaration)

## **IMPORTANT NOTICE**

The information in this document has been carefully reviewed and is believed to be accurate. Nonetheless, this document is subject to change without notice. Union assumes no responsibility for any inaccuracies that may be contained in this document, and makes no commitment to update or to keep current the contained information, or to notify a person or organization of any update. Union reserves the right to make changes, at any time, in order to improve reliability, function or design and to attempt to supply the best product possible.



Union Semiconductor, Inc

Add: Unit 606, No.570 Shengxia Road, Shanghai 201210

Tel: 021-51093966

Fax: 021-51026018

Website: [www.union-ic.com](http://www.union-ic.com)