



T-77-13

UM3481A Series

Multi-Instrument Melody Generator



Features

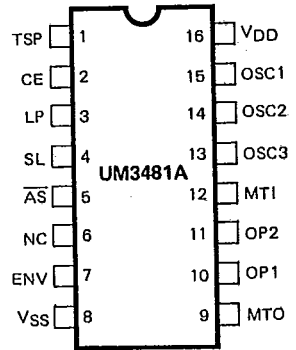
- Powered by a 1.5V battery
- Low standby current
- 512-note memory, up to 16 songs
- Plays all the songs repeatedly or auto stop
- Plays one song only, repeatedly or auto stop
- 14 tones selectable
- 8 beats selectable
- Any song can be selected sequentially
- 3 timbres – piano, organ and mandolin
- 5 tempos available through mask setting
- On-chip envelope modulator and pre-amplifier

General Description

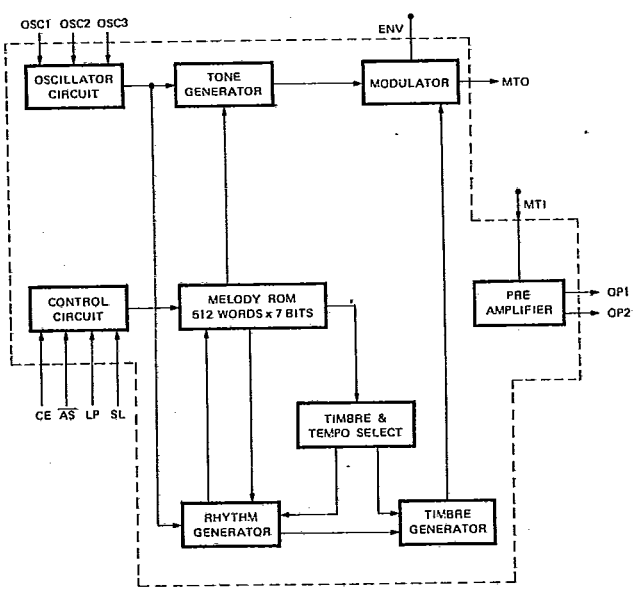
The UM3481A is a mask-ROM-programmed multi-instrument melody generator, implemented in CMOS technology. It is designed to play the melody according to the previously programmed information and is capable of generating 16 songs with 3 instrument effects: piano, organ and mandolin.

The device also includes a pre-amplifier which provides a simple interface to the driver circuit. The UM3481A series is intended for applications such as toys, door bells, music boxes, melody clock/timers and telephones.

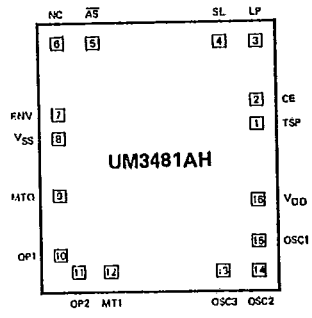
Pin Configuration



Block Diagram



Pad Configuration





UM3481A Series

T-77-13

Absolute Maximum Ratings*

DC Supply Voltage -0.3V to 3.0V
 Input/Output Voltage $V_{SS} - 0.3$ to $V_{DD} + 0.3V$
 Operating Ambient Temperature $-10^{\circ}C$ to $60^{\circ}C$
 Storage Temperature $-55^{\circ}C$ to $125^{\circ}C$

***Comments**

Stresses above those listed under "Absolute Maximum Ratings" may cause permanent damage to the device. These are stress ratings only. Functional operation of this device at these or any other conditions above those indicated in the operational sections of this specification is not implied and exposure to absolute maximum rating conditions for extended periods may affect device reliability.

D.C. Electrical Characteristics

($V_{DD} = 1.5V$, $V_{SS} = 0V$, $T_A = 25^{\circ}C$, unless otherwise specified.)

Parameter	Symbol	Min.	Typ.	Max.	Conditions
Operating Voltage	V_{DD}	1.35V	1.5V	3V	
Stand-By Current	I_{STB}	0.1 μA	—	12 μA	$V_{DD} = 1.5V$ unloaded
Input Voltage-High	V_{IH}	$V_{DD} - 0.3V$	—	V_{DD}	
Input Voltage-Low	V_{IL}	V_{SS}	—	$V_{SS} + 0.3V$	
Input Current High	I_{IH}	1.5 μA	3 μA	6 μA	$V_{IH} = V_{DD}$
Input Current Low	I_{IL}	—	—	0.1 μA	$V_{IL} = V_{SS}$
ENV Pin Drive Current	I_{ENV}	500 μA	—	—	$V_{ENV} = 0.8V$
Output Current (OP1)	I_{OL}	200 μA	—	1200 μA	$V_{OL} = 0.8V$
Output Current (OP2)	I_{OH}	200 μA	—	1200 μA	$V_{OH} = 0.7V$



UM3481A Series

T-77-13

Pin Description

Pin No.	Designation	Description
1	TSP	Output flag signal of melody auto stop In normal operation, this pin should be open
2	CE	Chip enabled if connected to V _{DD} Chip disabled if connected to V _{SS}
3	LP	Plays only one song if this pin is connected to V _{DD} Plays all songs if this pin is connected to V _{SS}
4	SL	A positive going edge applied to this pin will change to the next song
5	$\overline{\text{AS}}$	The melody will repeat if this pin is connected to V _{DD} The melody will stop automatically if this pin is connected to V _{SS}
6	NC	No connection
7	ENV	Envelope circuit terminal
8	V _{SS}	Negative supply power
9	MTO	Modulated tone signal output
10	OP1	Pre-amplifier output 1
11	OP2	Pre-amplifier output 2
12	MTI	Modulated tone signal input to the pre-amplifier
13	OSC3	Pins 13-15 can be connected as an RC oscillator External oscillating signal can be input to Pin 15
14	OSC2	
15	OSC1	
16	V _{DD}	Positive power supply

Melody



UM3481A Series

T-77-13

Functional Description

Oscillator & Control Circuit

The resistor R_1 & capacitor C_1 are connected externally to set the frequency at 100 KHz. Addition of R_S (shown in application CKT) in series with input inverter is to make the circuit insensitive to the variation of supply voltage. In standby condition (CE is Low) the operation of the OSC is inhibited. As soon as a high level signal is applied to the CE terminal, the circuit starts oscillating. Since the OSC frequency is used as a time base of the tone, rhythm and tempo generators, its accuracy will affect the quality of the melody.

the modulator circuit. The output waveforms are shown in Fig. 1 and the modulator circuit shown in Fig. 2. Proper selection of C_2, R_2 can produce envelopes of desired charging and discharging time.

Pre-amplifier

The pre-amplifier circuit is shown in Fig. 3. Feedback resistor R_5 must be connected to obtain proper bias of pre-amp stage. In the standby state the pre-amp is disabled, and OP1 is pulled up to V_{DD} , OP2 is pulled down to V_{SS} .

Modulator Circuit

The tone signal and the timbre signal are put through

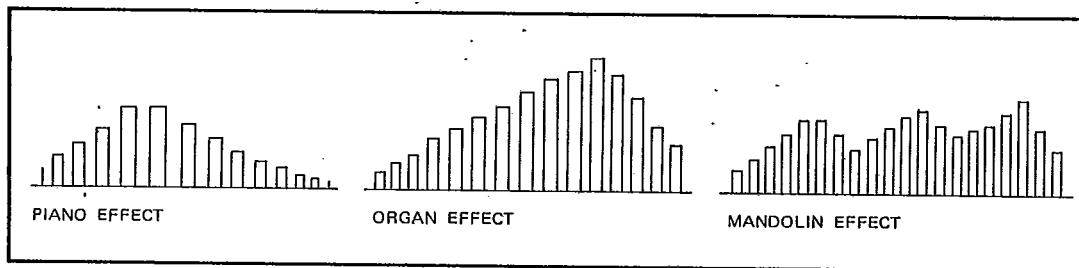


Figure 1. Waveforms at MTO

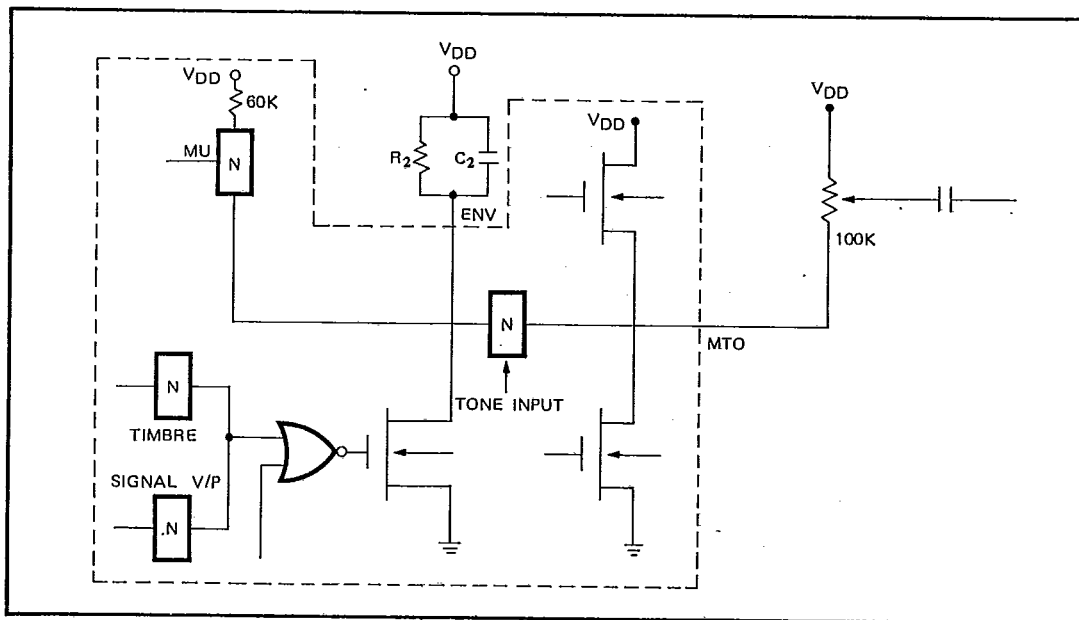


Figure 2. Modulator Circuit



T-77-13

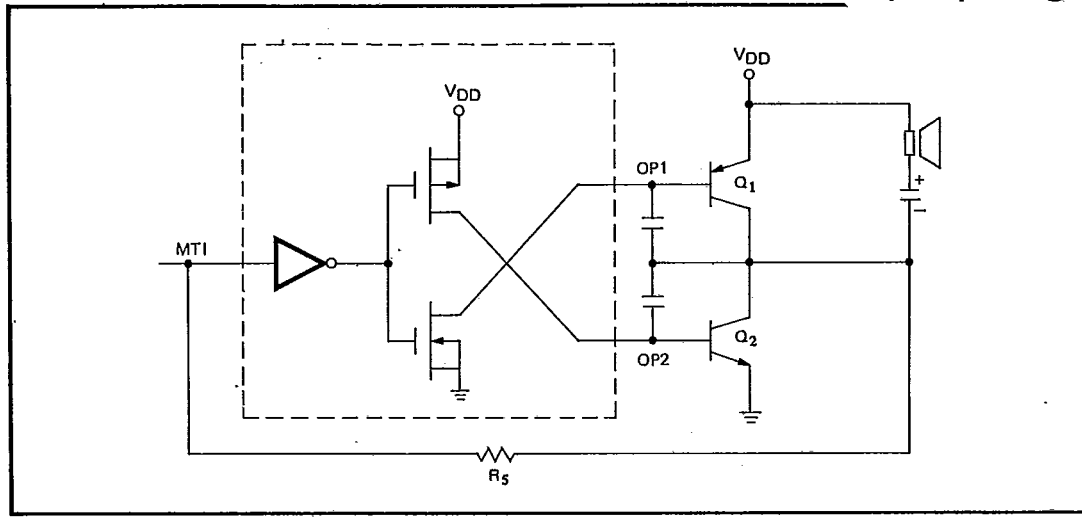


Figure 3. Pre-amplifier Circuit



Program Truth Table

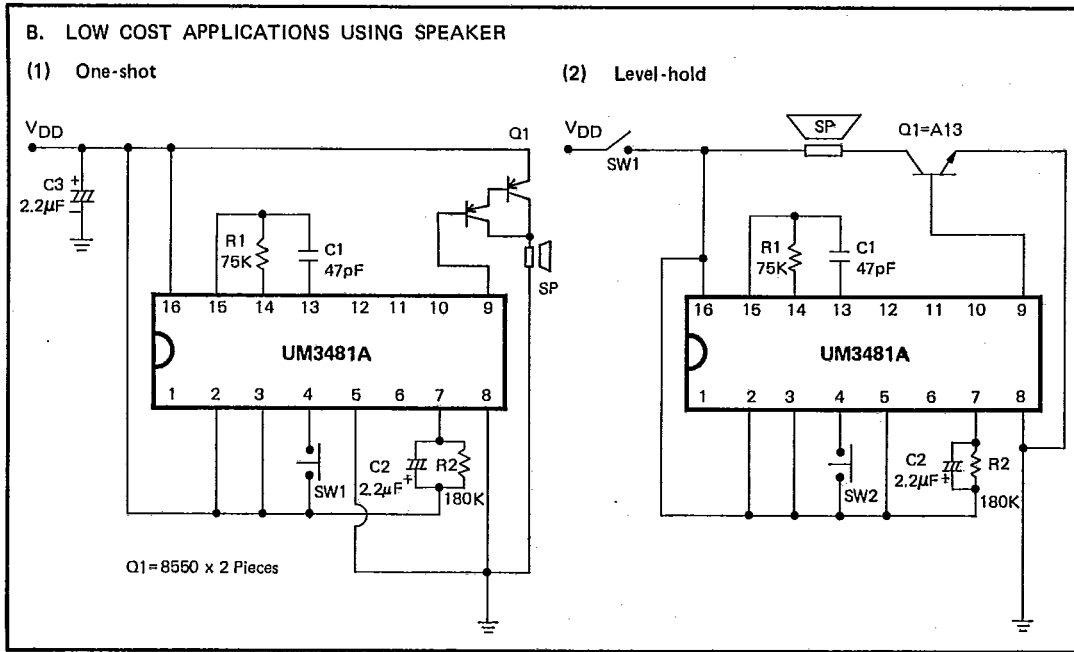
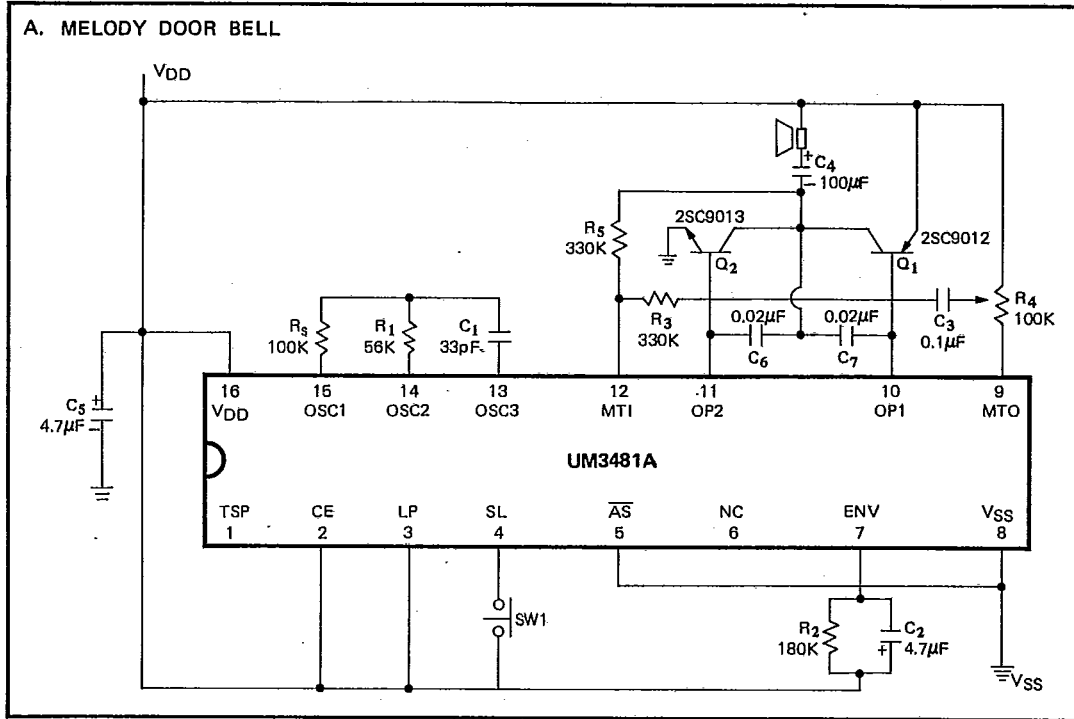
Items	CE	SL	LP	AS	Program
1	0	X	X	X	Standby
2	1	0	0	0	Start from first melody → last melody → stop
3		0	0	1	Start from first melody → last melody → repeat from first melody
4		0	1	0	Start from the present melody → stop
5	1	0	1	1	Repeat the present melody
6	1		0	0	Change to the next melody → last melody → stop
7	1		0	1	Change to the next melody → last melody → repeat from first melody
8	1		1	0	Change to the next melody → stop
9	1		1	1	Change to the next melody → repeat the same melody



UM3481A Series

T-77-13

Typical Applications





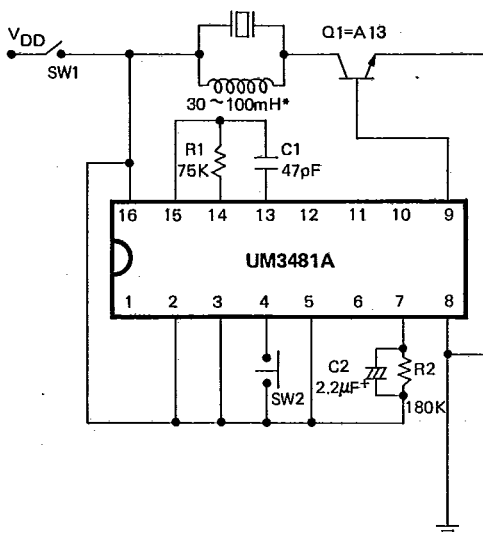
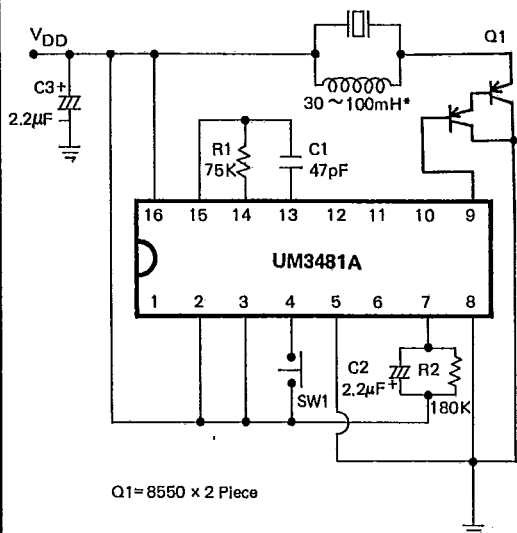
UM3481A Series

T-77-13

C. LOW COST APPLICATIONS USING PIEZO BUZZER

(1) One-shot

(2) Level-hold



Q1= 8550 x 2 Piece

*The inductor paralleled with piezo can be replaced by a 100 KΩ resistor but the sound will be smaller.



Song List

UM3481A

- Jingle Bells
- Santa Claus Is Coming to Town
- Silent Night, Holy Night
- Joy to the World
- Rudolph, the Red-nosed Reindeer
- We Wish You a Merry Christmas
- O Come, All Ye Faithful
- Hark, the Herald Angels Sing

UM3482A

- American Patrol
- Rabbits
- Oh My Darling, Clementine
- Butterfly
- London Bridge is Falling Down
- Row, Row, Row Your Boat
- Are You Sleeping
- Happy Birthday
- Joy Symphony
- Home Sweet Home
- Wiegenlied
- Melody on Purple Bamboo

UM3483A

- L'eau Vive (Living Water)
- Home on the Range
- Romance de Amor
- Comin' Thro' the Ryel
- Wedding March
- Happy Birthday
- Humoresque
- Lorelei

- The Last Rose of Summer
- Love Song from Sikang

UM3484

- Westminster
- Chime Function

UM34810A

- Jingle Bells
- Rudolph, the Red-nosed Reindeer
- Santa Claus is Coming to Town
- Little Drummer Boy
- Silent Night
- White Christmas
- Oh! My Lord
- The Peace Carol
- When a Child is Born
- Eion's Daughter
- Away in A Manger
- We Wish You a Merry Christmas
- O! Come All Ye Faithful
- Hark, the Herald Angels Sing
- Angels We Have Heard On High
- O! Tannenbaum

UM34811A

- Twinkle Twinkle Little Star
- Coo Coo Waltz (1)
- Eency Weency Spider
- Lullaby
- Santa Lucia
- Oh My Darling, Clementine
- Are You Sleeping

- Rock-a-bye Baby
- London Bridge is Falling Down
- Little Brown Jug
- Butterfly
- Long Long Ago
- Coo Coo Waltz (2)
- Mary Had a Little Lamb
- The Train is Running Fast
- Dream of Home and Mother

UM34813A (With Chime)

1. Chim Chim Cher-ee
2. Buttons and Bows
3. Dream of Home and Mother
4. Popeye the Sailor Man
5. London Bridge is Falling Down
6. March of Toy Soldiers
7. Lullaby (Schubert)
8. Congratulations
9. Cuckoo Waltz
10. Song of Joy
11. March of New World
12. Yellow Rose of Texas

UM34814A

- Hound Dog
- Love Me Tender, Love Me True
- My Way
- Are You Lonesome Tonight
- You'll Never Walk Alone
- Surrender

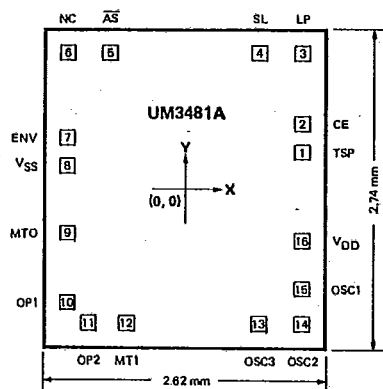


UM3481A Series

T-77-13

Bonding Diagram

unit: μm



Pad No.	Designation	X	Y
1	TSP	1163.57	640.08
2	CE	1163.57	836.68
3	LP	1163.57	1220.72
4	SL	662.94	1209.29
5	AS	-913.38	1220.72
6	NC	-1097.28	1220.72
7	ENV	-1159.00	496.06
8	VSS	-1159.00	299.47
9	MTO	-1149.86	-491.49
10	OP1	-1149.86	-1028.70
11	OP2	-1044.70	-1216.15
12	MT1	-861.82	-1216.15
13	OSC3	745.24	-1216.16
14	OSC2	1163.57	-1217.42
15	OSC1	1154.43	-1032.26
16	VDD	1154.43	-619.51

Ordering Information

Part Number	Package
UM3481AH	Chip
UM3481A	16L DIP