

600mA, 1.5MHz, Synchronous Step-Down DC-DC Converter *UM3500 SOT23-5*

General Description

The UM3500 is a 1.5MHz constant frequency, slope compensated current mode PWM step-down converter. The device integrates a main switch and a synchronous rectifier for high efficiency without an external Schottky diode. It is ideal for powering portable equipment that runs from a single cell lithium-Ion (Li+) battery. The UM3500 can supply 600mA of load current from a 2.5V to 5.5V input voltage. The output voltage can be regulated as low as 0.6V. The UM3500 can also run at 100% duty cycle for low dropout operation, extending battery life in portable system. Pulse Skipping Mode operation at light loads provides very low output ripple voltage for noise sensitive applications.

The UM3500 is available in a low profile SOT23-5 package.

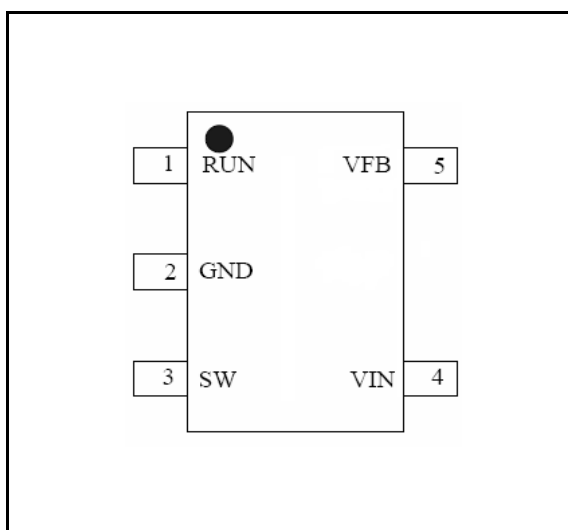
Applications

- Cellular and Smart Phones
- Microprocessors and DSP Core Supplies
- Wireless and DSL Modems
- PDAs, GPS
- MP3 Player
- Portable Instruments

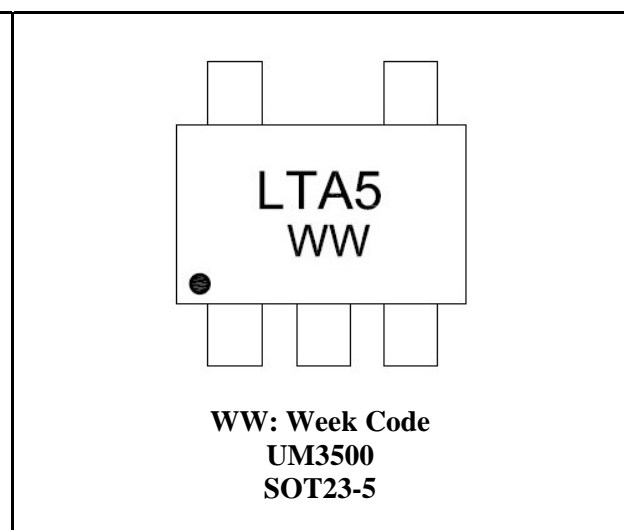
Features

- High Efficiency: Up to 96%
- 1.5MHz Constant Switching Frequency
- 600mA Output Current
- Integrated Main Switch and Synchronous Rectifier. No External Schottky Diode.
- 2.5V to 5.5V Input Voltage Range
- Output Voltage as Low as 0.6V
- 100% Duty Cycle in Dropout
- Low Quiescent Current: 50 μ A
- Short Circuit Protection
- Thermal Fault Protection
- <1 μ A Shutdown Current
- Lead Free SOT23-5 Package

Pin Configurations



Top View



Ordering Information

Part Number	Packaging Type	Marking Code	Shipping Qty
UM3500	SOT23-5	LTA5	3000pcs/7Inch Tape & Reel

Pin Description

Pin Number	Symbol	Function
1	RUN	Regulator enables control input. Drive RUN above 1.0V to turn on the part. Drive RUN below 0.4V to turn it off. In shutdown, all functions are disabled drawing <math><1\mu\text{A}</math> supply current. Do not leave RUN floating.
2	GND	Ground.
3	SW	Power switch output. It is the switch node connection to Inductor. This pin connects to the drains of the internal P-CH and N-CH MOSFET switches.
4	VIN	Supply input pin. Must be closely decoupled to GND, Pin 2, with a 2.2 μF or greater ceramic capacitor.
5	VFB	Feedback input pin. Connect FB to the center point of the external resistor divider. Bonding option

Absolute Maximum Ratings (Note 1)

Symbol	Parameter	Value	Unit
V_{IN}	Input Voltage	-0.3 to +6.0	V
V_{RUN}, V_{FB}	RUN, VFB Voltages	+0.3 to $V_{IN}+0.3$	V
V_{SW}, V_{OUT}	SW, VOUT Voltages	+0.3 to $V_{IN}+0.3$	V
I_{SW}	Peak SW Sink and Source Current	1.5	A
T_O	Operating Temperature	-40 to +85	$^{\circ}\text{C}$
T_{STG}	Storage Temperature Range	-65 to +150	$^{\circ}\text{C}$

Note 1: Stresses greater than those listed under Maximum Ratings may cause permanent damage to the device. This is a stress rating only and functional operation of the device at these or any other conditions above those indicated in the operational sections of this specification is not implied. Exposure to absolute maximum rating conditions for extended periods may affect reliability.

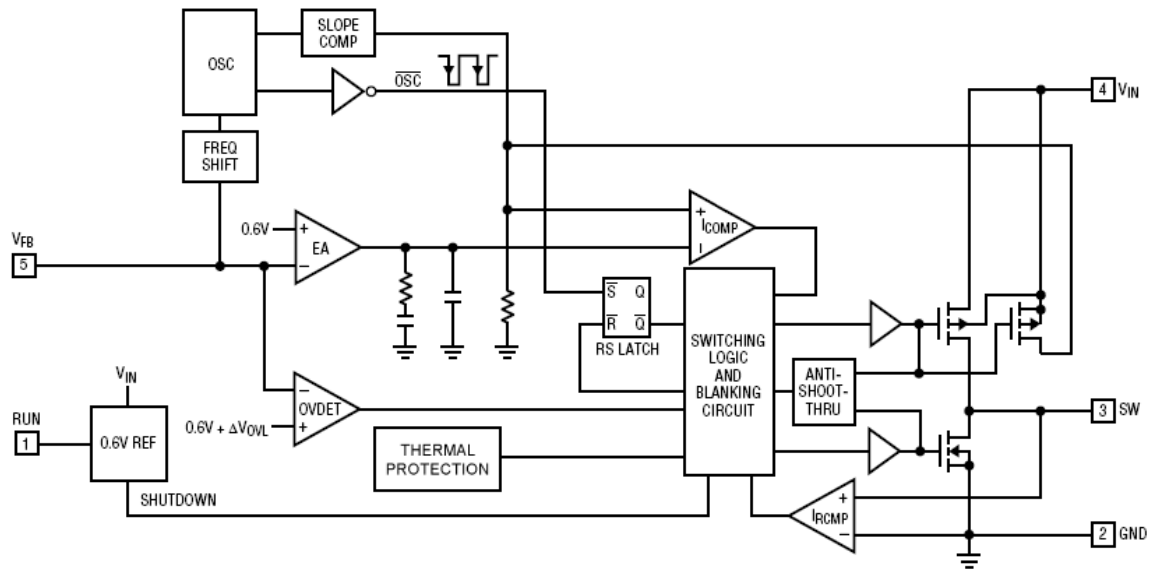
Electrical Characteristics (Note 2)

 ($V_{IN}=V_{RUN}=3.6V$, $T_A=+25^{\circ}C$, unless otherwise noted)

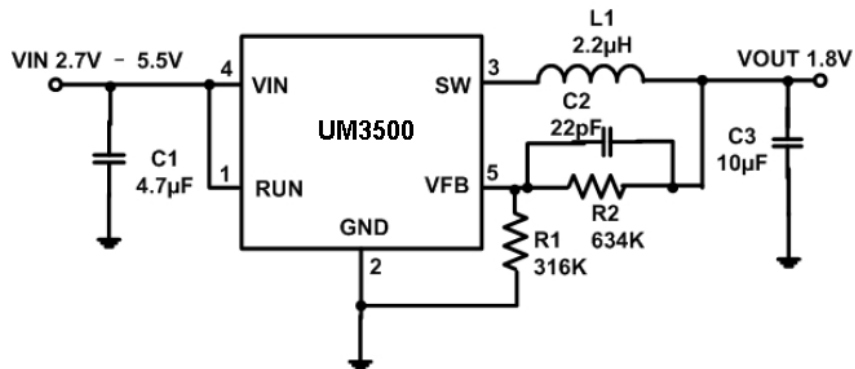
Symbol	Parameter	Test Conditions	Min	Typ	Max	Unit
V_{IN}	Input Voltage Range		2.5		5.5	V
I_Q (Active)	Input DC Supply Current (Active Mode)	$V_{FB}=3.6V$, $V_{FB}=V_{REF}+5\%$		50	100	μA
I_Q (Shutdown)	Input DC Supply Current (Shutdown Mode)	$V_{FB}=0V$, $V_{IN}=4.2V$		0.08	1.0	μA
V_{FB}	Regulated Feedback Voltage	$T_A=+25^{\circ}C$	0.5880	0.6000	0.6120	V
		$0^{\circ}C \leq T_A \leq 85^{\circ}C$	0.5865	0.6000	0.6135	
		$-40^{\circ}C \leq T_A \leq 85^{\circ}C$	0.5850	0.6000	0.6150	
I_{FB}	VFB Input Bias Current	$V_{FB}=0.65V$			± 30	nA
	Reference Voltage Line Regulation	$2.5V \leq V_{IN} \leq 5.5V$, $V_{OUT}=V_{FB}$ ($R2=0$)		0.11	0.40	%/V
	Output Voltage Line Regulation	$2.5V \leq V_{IN} \leq 5.5V$, $I_{OUT}=10mA$		0.11	0.40	%/V
	Output Voltage Load Regulation	$100mA \leq I_{OUT} \leq 600mA$		0.0015		%/mA
$I_{O(Max)}$	Maximum Output Current	$V_{IN}=3.6V$, $V_{OUT}=1.8V$	600			mA
f	Oscillator Frequency	$V_{FB}=0.6V$ or $V_{OUT}=100\%$	1.2	1.5	1.8	MHz
$R_{DS(ON)}$	$R_{DS(ON)}$ of P-CH MOSFET	$V_{IN}=3.6V$, $I_{SW}=100mA$		0.40	0.50	Ω
	$R_{DS(ON)}$ of N-CH MOSFET	$V_{IN}=3.6$, $I_{SW}=-100mA$		0.35	0.45	Ω
I_p	Peak Inductor Current	$V_{IN}=3.0V$, $V_{FB}=0.5V$ or $V_{OUT}=90\%$, Duty Cycle < 35%		1.20		A
I_{SWL}	SW Leakage	$V_{RUN}=0V$, $V_{SW}=0V$ or $5V$ $V_{IN}=5V$		± 0.01	± 1	μA
V_H	RUN High-Level Threshold	$-40^{\circ}C \leq T_A \leq 85^{\circ}C$	1.0			V
V_L	RUN Low-Level Threshold	$-40^{\circ}C \leq T_A \leq 85^{\circ}C$			0.4	V
I_{RUNL}	RUN Leakage Current	$V_{RUN}=3.6V$		2.0	3.5	μA
$\eta_{(MAX)}$	Max. Efficiency	$V_{IN}=2.7V$, $V_{OUT}=2.5V$	90			%
	Thermal Shutdown Temp			160		$^{\circ}C$

Note2: 100% production test at +25°C. Specifications over the temperature range are guaranteed by design and characterization.

Block Diagram



Typical Application Circuit



Function Description

UM3500 is a monolithic switching mode Step-Down DC-DC converter. It utilizes internal MOSFETs to achieve high efficiency and can generate very low output voltage by using internal reference at 0.6V. It operates at a fixed switching frequency, and uses the slope compensated current mode architecture. This Step-Down DC-DC Converter supplies 600mA output current at $V_{IN}=3.6V$ with input voltage range from 2.5V to 5.5V.

Current Mode PWM Control

Slope compensated current mode PWM control provides stable switching and cycle by cycle current limit for excellent load and line responses. During normal operation, the internal main switch is turned on for a certain time to ramp the inductor current at each rising edge of the internal oscillator, and turned off when the peak inductor current reaches the controlled value. When the main switch is off, the synchronous rectifier will be turned on immediately and stay on until either the inductor current starts to reverse, as indicated by the current reversal comparator, IRCMP, or the beginning of the next clock cycle.

Pulse Skipping Mode Operation

At very light loads, the UM3500 will automatically enter Pulse Skipping Mode to increase efficiency, further extending battery life. In this mode, the control loop skips PWM pulses while maintaining output in regulation, and the switching frequency depends on the load condition. This is a kind of PFM mode operation.

Dropout Operation

When the input voltage decreases toward the value of the output voltage, the UM3500 allows the main switch to remain on for more than one switching cycle and increases the duty cycle (Note 1) until it reaches 100%. The output voltage then is the input voltage minus the voltage drop across the main switch and the inductor. At low input supply voltage, the $R_{DS(ON)}$ of the P-Channel MOSFET increases, and the efficiency of the converter decreases. Caution must be exercised to ensure the heat dissipated not to exceed the maximum junction temperature of the IC.

Note 1: The duty cycle D of a step-down converter is defined as:

$$D = T_{ON} \times f_{OSC} \times 100\% \cong V_{OUT} / V_{IN} \times 100\%$$

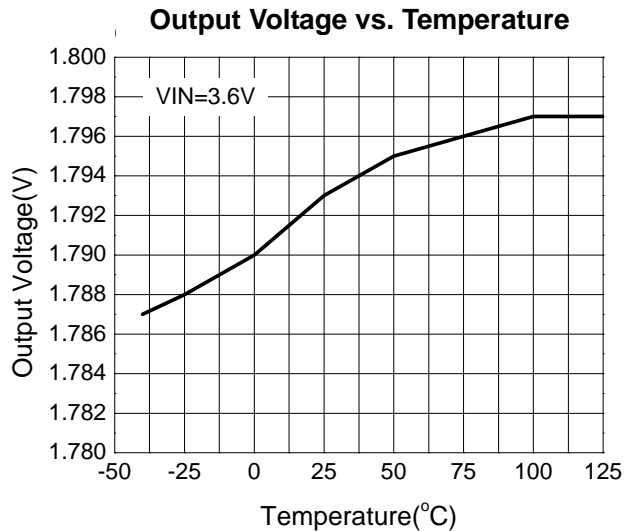
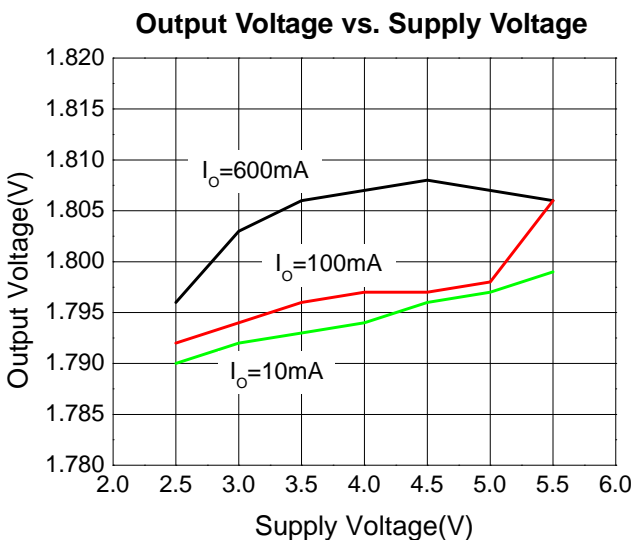
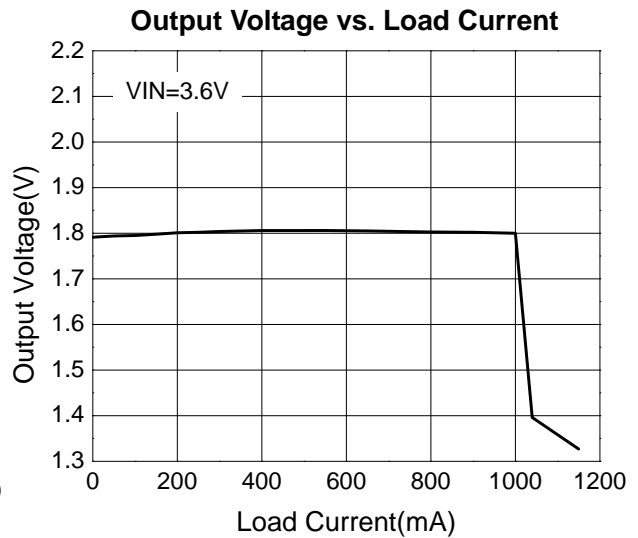
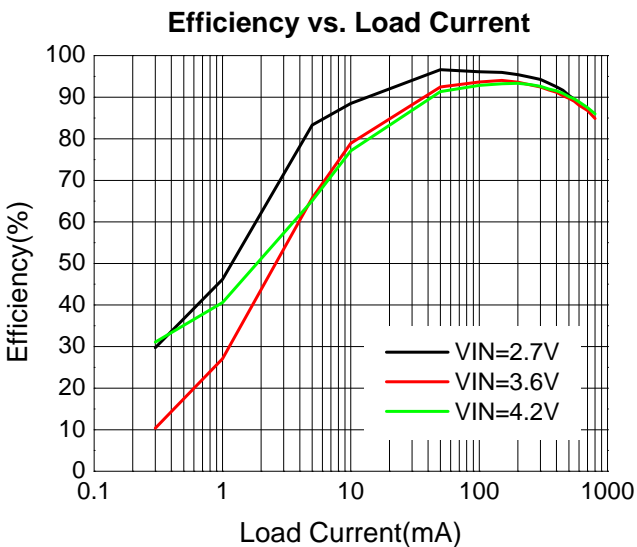
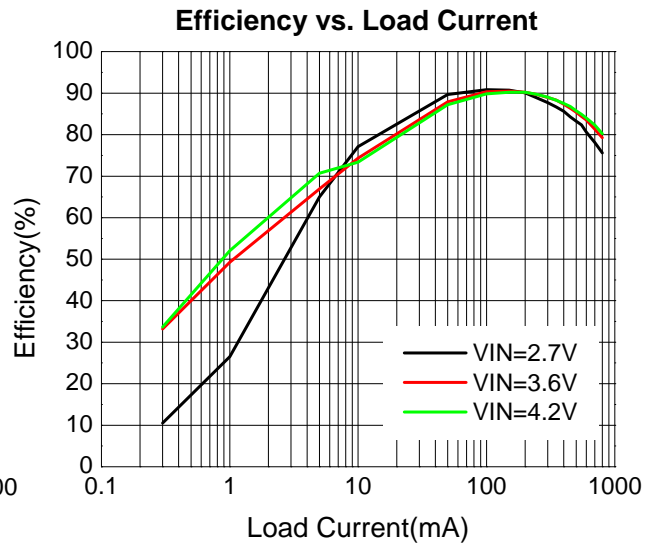
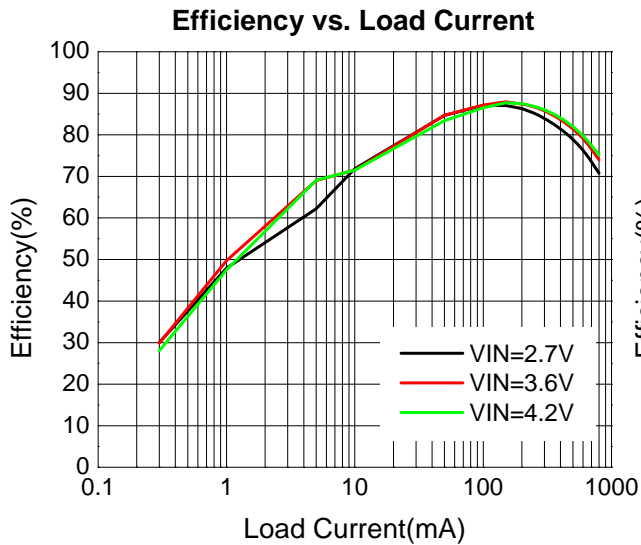
Where T_{ON} is the main switch on time and f_{OSC} is the oscillator frequency (1.5MHz).

Maximum Load Current

The UM3500 will operate with input supply voltage as low as 2.5V, however, the maximum load current decreases at lower input due to large IR drop on the main switch and synchronous rectifier. The slope compensation signal reduces the peak inductor current as a function of the duty cycle to prevent sub-harmonic oscillations at duty cycles greater than 50%. Conversely the current limit increases as the duty cycle decreases.

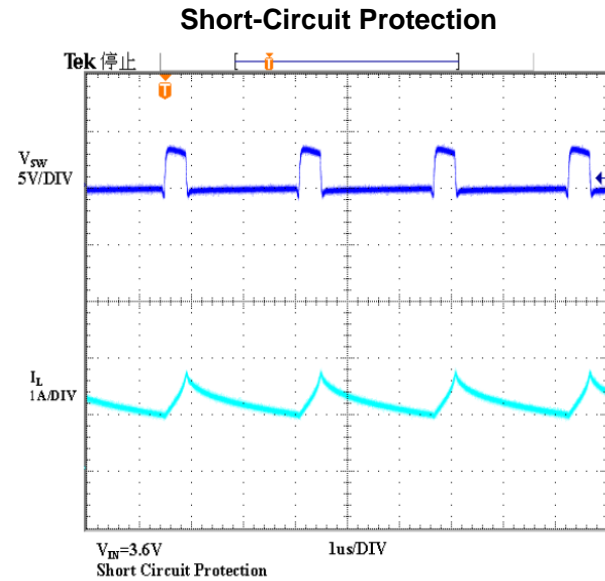
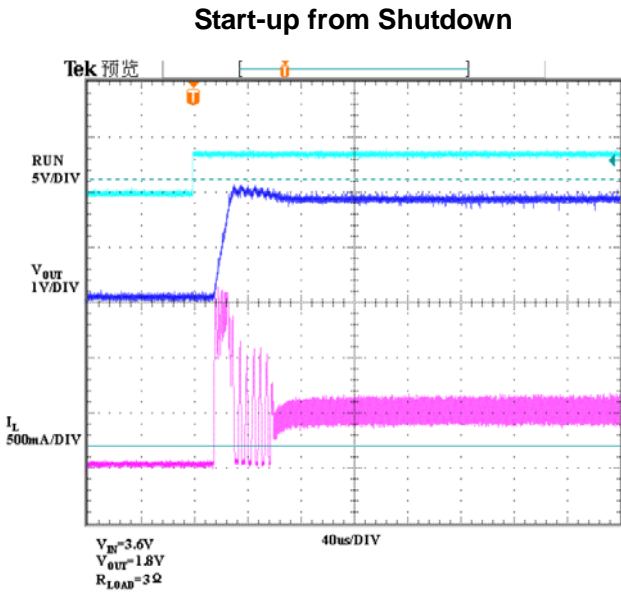
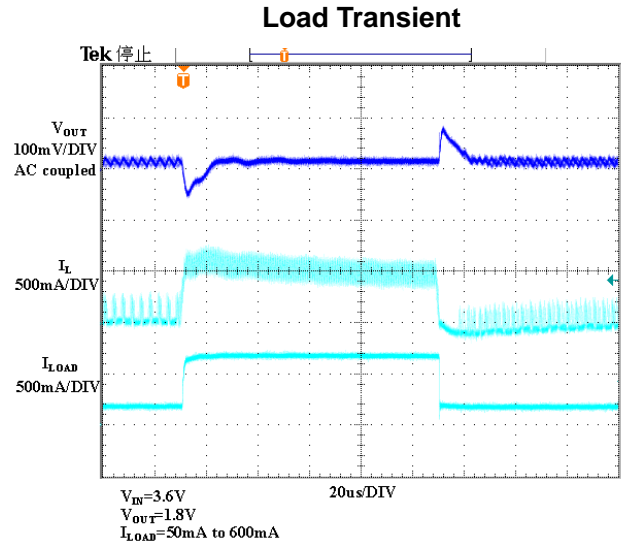
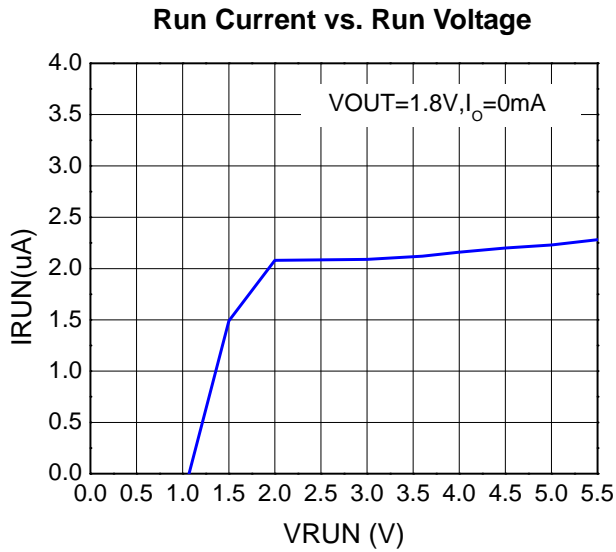
Typical Performance Characteristics

($L1=2.2\mu H$, $C1=4.7\mu F$, $C3=10\mu F$, $T_A=+25^\circ C$, unless otherwise noted.)



Typical Performance Characteristics (Continued)

($L=2.2\mu\text{H}$, $C1=4.7\mu\text{F}$, $C3=10\mu\text{F}$, $T_A=+25^\circ\text{C}$, unless otherwise noted.)



Applications Information

Output Voltage Setting

The external resistor divider sets the output voltage. The feedback resistor R1 also sets the feedback loop bandwidth with the internal compensation capacitor.

Choose R1 around 300kΩ for optimal transient response. R2 is then given by:

$$R2 = \frac{R1}{\frac{V_{OUT}}{0.6V} - 1}$$

Inductor Selection

A 1μH to 10μH inductor with DC current rating at least 25% higher than the maximum load current is recommended for most applications. For best efficiency, the inductor DC resistance shall be <200mΩ.

For most designs, the inductance value can be derived from the following equation:

$$L = \frac{V_{OUT} \times (V_{IN} - V_{OUT})}{V_{IN} \times \Delta I_L \times f_{OSC}}$$

Where ΔI_L is the inductor ripple current. Choose inductor ripple current approximately 30% of the maximum load current, 600mA.

The maximum inductor peak current is:

$$I_{L(MAX)} = I_{LOAD} + \frac{\Delta I_L}{2}$$

Under light load conditions below 100mA, larger inductance is recommended for improved efficiency.

Input Capacitor Selection

The input capacitor reduces the surge current drawn from the input and switching noise from the device. The input capacitor impedance at the switching frequency shall be less than input source impedance to prevent high frequency switching current passing to the input. Ceramic capacitors with X5R or X7R dielectrics are highly recommended because of their low ESR and small temperature coefficients. For most applications, a 4.7μF capacitor is sufficient.

Output Capacitor Selection

The output capacitor keeps output voltage ripple small and ensures regulation loop stable. The output capacitor impedance shall be low at the switching frequency. Ceramic capacitor with X5R or X7R dielectrics are recommended. The output ripple ΔV_{OUT} is approximately:

$$\Delta V_{OUT} \leq \frac{V_{OUT} \times (V_{IN} - V_{OUT})}{V_{IN} \times f_{OSC} \times L} \times \left(ESR + \frac{1}{8 \times f_{OSC} \times C3} \right)$$

Layout Guidance

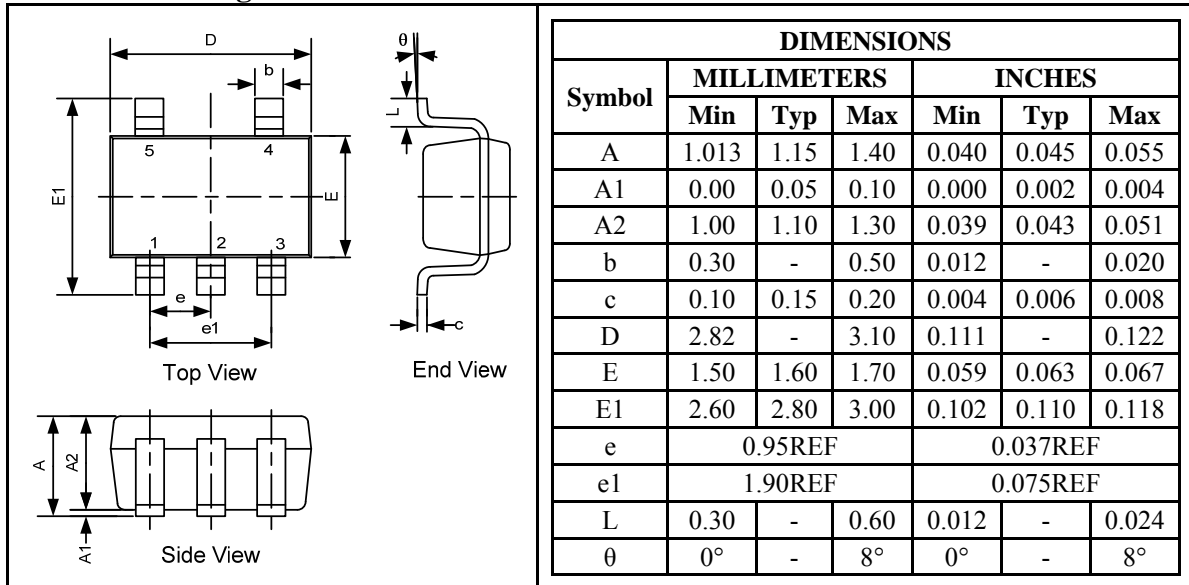
When laying out the PC board, the following suggestions should be taken to ensure proper operation of the UM3500.

1. The power traces, including the GND trace, the SW trace and the VIN trace should be kept short, direct and wide to allow large current flow. Put enough multiply-layer pads when they need to change the trace layer.
2. Connect the input capacitor C1 to the VIN pin as closely as possible to get good power filter effect.
3. Keep the switching node, SW, away from the sensitive FB node.
4. Do not trace signal line under inductor.

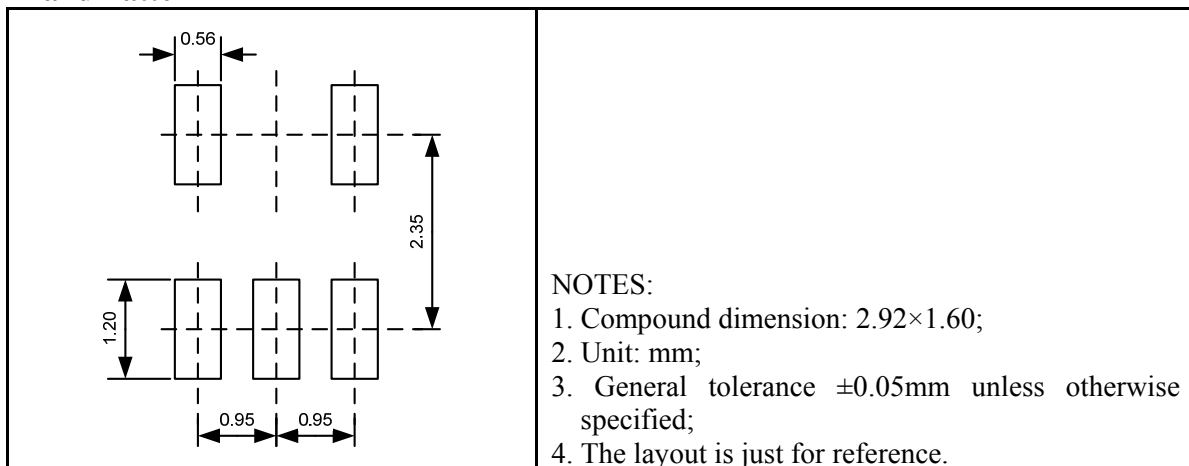
Package Information

UM3500: SOT23-5

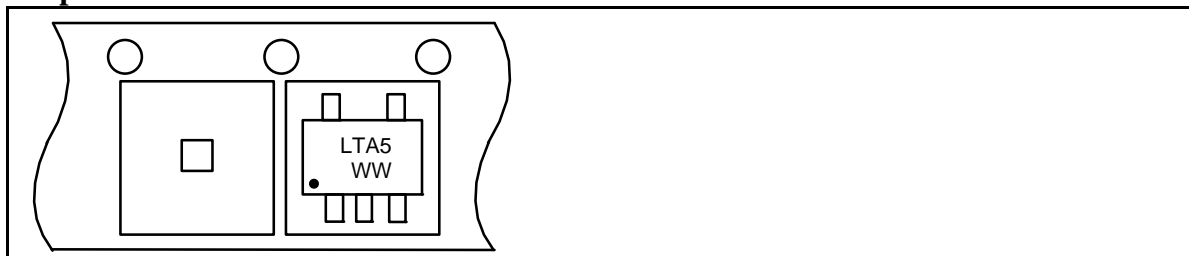
Outline Drawing



Land Pattern



Tape and Reel Orientation



GREEN COMPLIANCE

Union Semiconductor is committed to environmental excellence in all aspects of its operations including meeting or exceeding regulatory requirements with respect to the use of hazardous substances. Numerous successful programs have been implemented to reduce the use of hazardous substances and/or emissions.

All Union components are compliant with the RoHS directive, which helps to support customers in their compliance with environmental directives. For more green compliance information, please visit:

http://www.union-ic.com/index.aspx?cat_code=RoHSDeclaration

IMPORTANT NOTICE

The information in this document has been carefully reviewed and is believed to be accurate. Nonetheless, this document is subject to change without notice. Union assumes no responsibility for any inaccuracies that may be contained in this document, and makes no commitment to update or to keep current the contained information, or to notify a person or organization of any update. Union reserves the right to make changes, at any time, in order to improve reliability, function or design and to attempt to supply the best product possible.



Union Semiconductor, Inc

Add: Unit 606, No.570 Shengxia Road, Shanghai 201210

Tel: 021-51093966

Fax: 021-51026018

Website: www.union-ic.com