



UM82C284

Clock Generator And Ready Interface

ADVANCED PRODUCT DESCRIPTION

Features

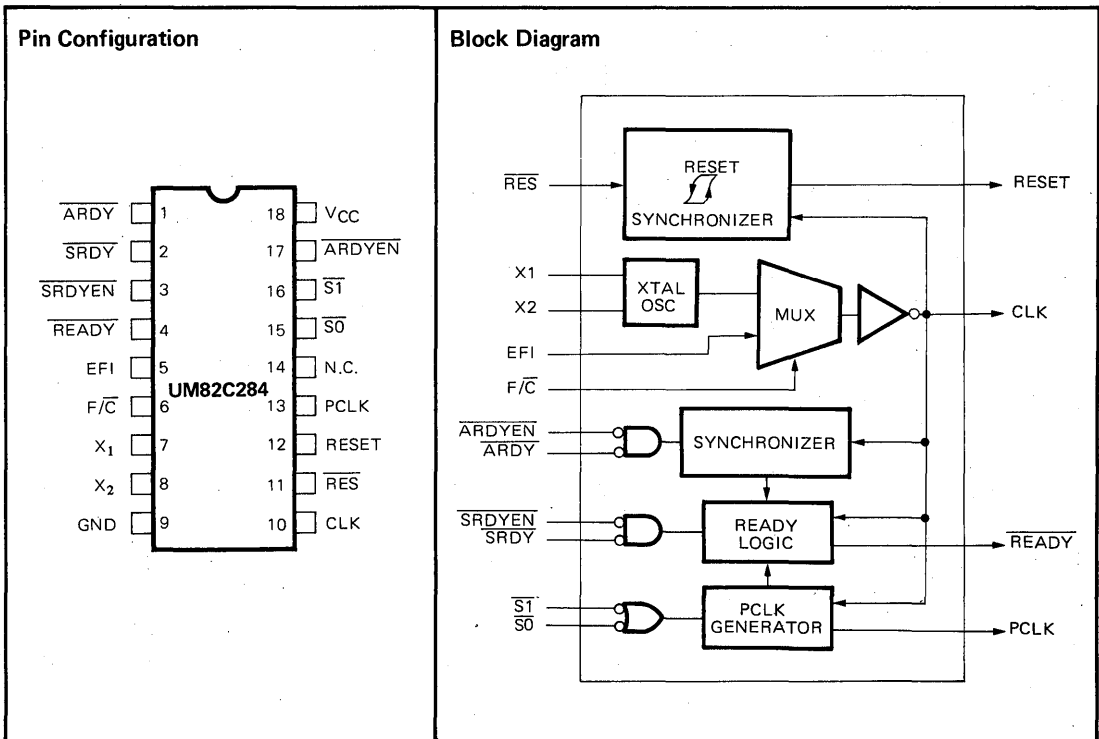
- Generates system clock for 80286 processors
- Uses crystal or TTL signal for frequency source
- Provides local $\overline{\text{READY}}$ and Multibus* $\overline{\text{READY}}$ synchronization
- 18-pin package
- Single +5V power supply
- Generates system reset output from schmitt trigger input

General Description

UM82C284 is a clock generator/driver which provides clock signals for 80286 processors and support components. It also contains logic to supply $\overline{\text{READY}}$ to the CPU from

either asynchronous or synchronous sources and synchronous $\overline{\text{RESET}}$ from an asynchronous input with hysteresis. It is fabricated in Si-Gate CMOS process.

*Multibus is a patented bus of INTEL



Peripheral IC