



# UMR11N

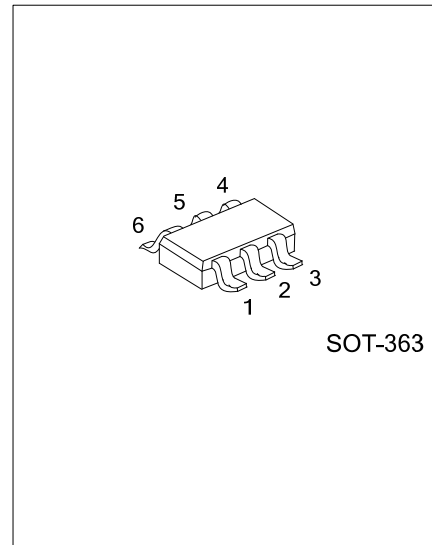
**DIODE**

## SWITCHING DIODE

■ DESCRIPTION

The UTC **UMR11N** is a small signal switching diode, it uses UTC's advanced technology to provide customers with high reliability, etc.

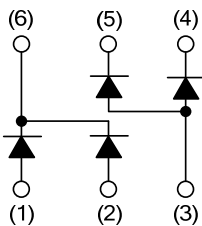
The UTC **UMR11N** is suitable for high frequency switching applications.



■ FEATURES

- \* High frequency application
- \* High reliability

■ SYMBOL



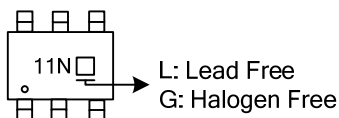
■ ORDERING INFORMATION

Ordering Number		Package	Pin Assignment						Packing
Lead Free	Halogen Free		1	2	3	4	5	6	
UMR11NL-AL6-R	UMR11NG-AL6-R	SOT-363	A1	A2	A3A4	K4	K3	K1K2	Tape Reel

Note: Pin Assignment: A: Anode K: Cathode

<p>UMR11NL-AL6-R</p> <ul style="list-style-type: none"> <li>(1) Packing Type</li> <li>(2) Package Type</li> <li>(3) Halogen Free</li> </ul>	<ul style="list-style-type: none"> <li>(1) R: Tape Reel</li> <li>(2) AL6: SOT-363</li> <li>(3) L: Lead Free, G: Halogen Free</li> </ul>
---	---

■ MARKING



■ ABSOLUTE MAXIMUM RATINGS (T<sub>A</sub>=25°C)

PARAMETER	SYMBOL	RATINGS	UNIT
Reverse Voltage (Repetitive Peak)	V <sub>RM</sub>	80	V
Reverse Voltage (DC)	V <sub>R</sub>	80	V
Forward Current (Single)	I <sub>FM</sub>	300	mA
Average Rectified Forward Current	I <sub>O</sub>	100	mA
Surge Current (t=1μs)	I <sub>surge</sub>	4	A
Power Dissipation	P <sub>D</sub>	200	mW
Junction Temperature	T <sub>J</sub>	150	°C
Storage Temperature	T <sub>STG</sub>	-55~+150	°C

Note: Absolute maximum ratings are those values beyond which the device could be permanently damaged.

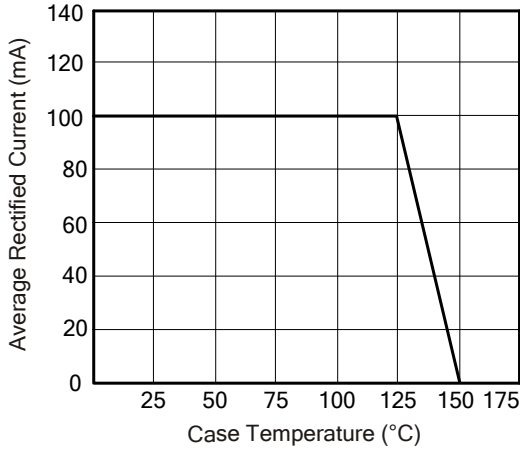
Absolute maximum ratings are stress ratings only and functional device operation is not implied.

■ ELECTRICAL CHARACTERISTICS (T<sub>A</sub>=25°C)

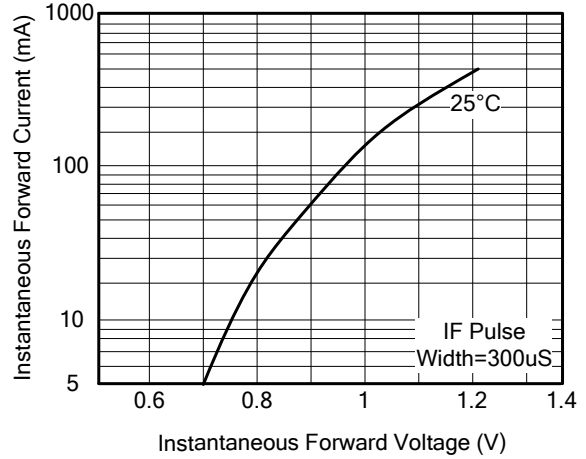
PARAMETER	SYMBOL	TEST CONDITIONS	MIN	TYP	MAX	UNIT
Forward Voltage	V <sub>F</sub>	I <sub>F</sub> =100mA			1.2	V
Reverse Current	I <sub>R</sub>	V <sub>R</sub> =70V			0.1	μA
Reverse Recovery Time	T <sub>rr</sub>	V <sub>R</sub> =6V, I <sub>F</sub> =5mA, R <sub>L</sub> =50Ω			4	ns
Capacitance Between Terminals	C <sub>t</sub>	V <sub>R</sub> =6V, f=1MHz			3.5	pF

■ TYPICAL CHARACTERISTICS

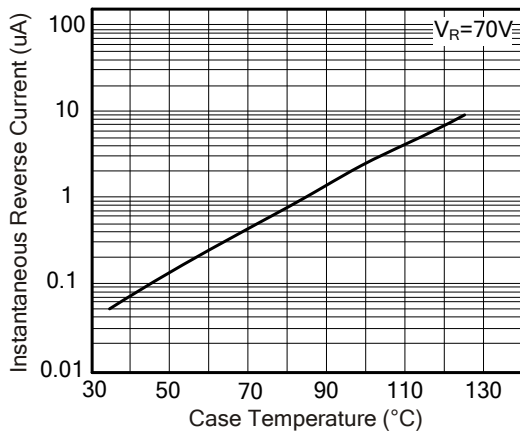
Forward Derating Curve



Typical Forward Characteristics



Typical Reverse Characteristics



UTC assumes no responsibility for equipment failures that result from using products at values that exceed, even momentarily, rated values (such as maximum ratings, operating condition ranges, or other parameters) listed in products specifications of any and all UTC products described or contained herein. UTC products are not designed for use in life support appliances, devices or systems where malfunction of these products can be reasonably expected to result in personal injury. Reproduction in whole or in part is prohibited without the prior written consent of the copyright owner. The information presented in this document does not form part of any quotation or contract, is believed to be accurate and reliable and may be changed without notice.