

◆ FEATURE

- (1) 128*64 DOTS
- (2) 1/64 DUTY CYCLE.
- (3) C.O.B ASSEMBLY.

液晶之友 电话: 020-33819057
[Http://www.lcdfriends.com](http://www.lcdfriends.com)

◆ PIN TABLE

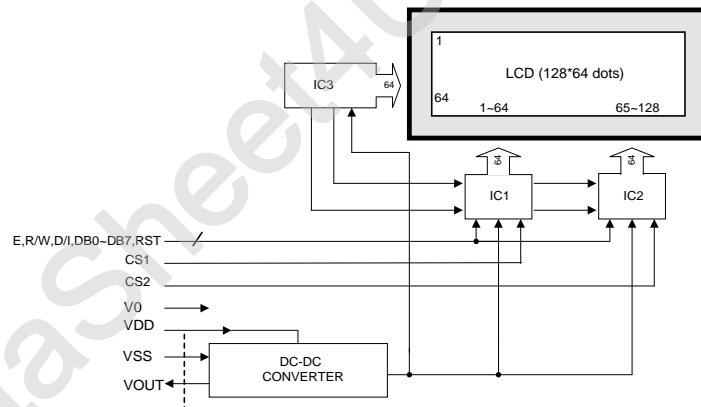
PIN NO.	SYMBOL
1	CSA
2	CSB
3	VSS
4	VDD
5	VO
6	D/I
7	R/W
8	E
9	DB0
10	DB1
11	DB2
12	DB3
13	DB4
14	DB5
15	DB6
16	DB7
17	RST
18	VEE
19	NC
20	NC

◆ ELECTRICAL CHARACTERISTICS

VSS=0V, AT 25°C

ITEMS	SYMBOL	MIN.	TYP.	MAX.	UNIT
SUPPLY VOLTAGE (LOGIC)	VDD-VSS	4.5	5.0	5.5	V
SUPPLY VOLTAGE (LCD)	VDD-V0	-	9.0	-	V
INPUT HIGH LEVEL VOLTAGE	VIH	0.7-VDD	-	VDD	V
INPUT LOW LEVEL VOLTAGE	VIL	VSS	-	0.3VDD	V
OUTPUT HIGH LEVEL VOLTAGE	VOH	VDD-0.4	-	-	V
OUTPUT LOW LEVEL VOLTAGE	VOL	-	-	0.4	V
OSC FREQUENCY	FOSC	315	450	585	KHZ
LCD POWER SUPPLY CURRENT	IDD	-	-	9.0	mA

◆ BLOCK DIAGRAM



◆ OUTLINE DIMENSION

