

◆ FEATURE

- (1) 122*32 DOTS
- (2) 1/32 DUTY CYCLE.
- (3) C.O.B ASSEMBLY.

液晶之友 电话: 020-33819057
[Http://www.lcdfriends.com](http://www.lcdfriends.com)

◆ PIN TABLE

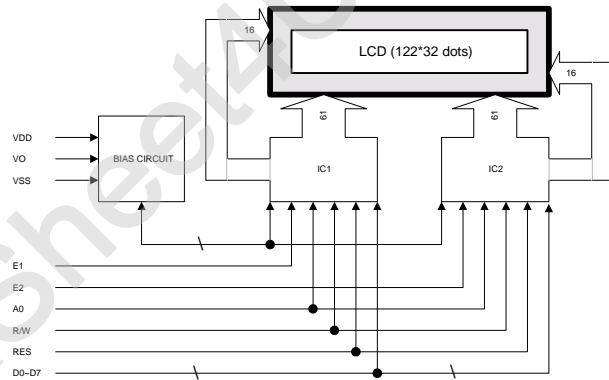
PIN NO.	SYMBOL
1	VDD
2	VSS
3	V0
4	RES
5	E1
6	E2
7	R/W
8	A0
9	D0
10	D1
11	D2
12	D3
13	D4
14	D5
15	D6
16	D7
17	NC
18	NC

◆ ELECTRICAL CHARACTERISTICS

VSS=0V, AT 25°C

ITEMS	SYMBOL	MIN.	TYP.	MAX.	UNIT
SUPPLY VOLTAGE (LOGIC)	VDD-VSS	2.4	3.0	6.0	V
SUPPLY VOLTAGE (LCD)	VDD-V0	5.4	6.3	7.1	V
INPUT HIGH LEVEL VOLTAGE	VIH	2.0	-	VDD	V
INPUT LOW LEVEL VOLTAGE	VIL	VSS	-	0.8	V
OUTPUT HIGH LEVEL VOLTAGE	VOH	2.4	-	-	V
OUTPUT LOW LEVEL VOLTAGE	VOL	-	-	0.4	V
POWER SUPPLY CURRENT	IDD	-	-	1.1	mA
LCD POWER SUPPLY CURRENT	IO	-	-	0.6	mA

◆ BLOCK DIAGRAM



◆ OUTLINE DIMENSION

