

◆ FEATURE

- (1) 128*64 DOTS
- (2) 1/64 DUTY CYCLE.
- (3) C.O.B ASSEMBLY.

液晶之友 电话: 020-33819057
[Http://www.lcdfriends.com](http://www.lcdfriends.com)

◆ PIN TABLE

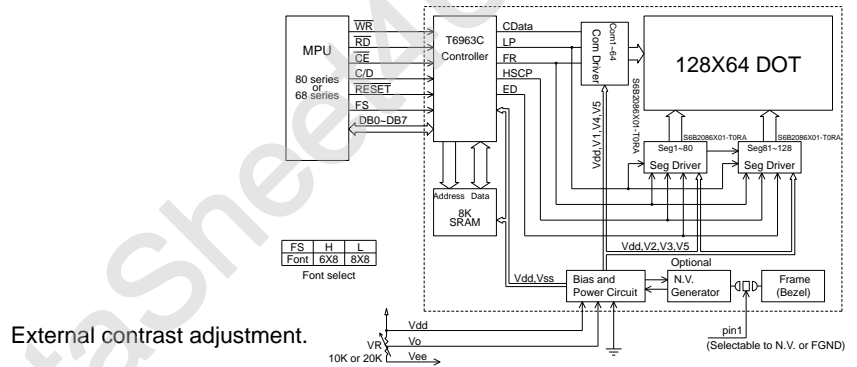
PIN NO.	SYMBOL
1	FG/VEE
2	VSS
3	VDD
4	V0
5	WR
6	RD
7	CE
8	CD
9	RST
10	DB0
11	DB1
12	DB2
13	DB3
14	DB4
15	DB5
16	DB6
17	DB7
18	FS
19	K
20	A

◆ ELECTRICAL CHARACTERISTICS

VSS=0V, AT 25°C

ITEMS	SYMBOL	MIN.	TYP.	MAX.	UNIT
SUPPLY VOLTAGE (LOGIC)	VDD-VSS	4.5	5	5.5	V
SUPPLY VOLTAGE (LCD)	VDD-V0	9.4	9.6	10.4	V
INPUT HIGH LEVEL VOLTAGE	VIH	2.2	-	VDD	V
INPUT LOW LEVEL VOLTAGE	VIL	-	-	0.8	V
OUTPUT HIGH LEVEL VOLTAGE	VOH	2.4	-	-	V
OUTPUT LOW LEVEL VOLTAGE	VOL	-	-	0.4	V
POWER SUPPLY CURRENT	IDD	-	9.7	-	mA

◆ BLOCK DIAGRAM



◆ OUTLINE DIMENSION

