

## ◆ FEATURE

- (1) 128\*64 DOTS
- (2) 1/64 DUTY CYCLE.
- (3) C.O.B ASSEMBLY.

液晶之友 电话: 020-33819057  
[Http://www.lcdfriends.com](http://www.lcdfriends.com)

## ◆ PIN TABLE

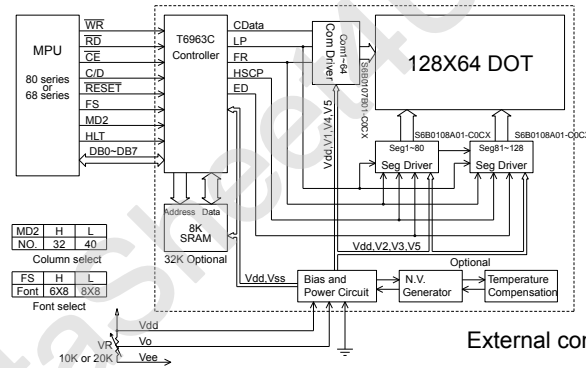
PIN NO.	SYMBOL
1	VSS
2	VDD
3	V0
4	C/D
5	RD
6	WR
7	DB0
8	DB1
9	DB2
10	DB3
11	DB4
12	DB5
13	DB6
14	DB7
15	CE
16	RST
17	VEE
18	MD2
19	FAI
20	HLT

## ◆ ELECTRICAL CHARACTERISTICS

VSS=0V, AT 25°C

ITEMS	SYMBOL	MIN.	TYP.	MAX.	UNIT
SUPPLY VOLTAGE (LOGIC)	VDD-VSS	4.5	5	5.5	V
SUPPLY VOLTAGE (LCD)	VDD-V0	9.4	9.6	10.4	V
INPUT HIGH LEVEL VOLTAGE	VIH	0.7VDD	-	VDD	V
INPUT LOW LEVEL VOLTAGE	VIL	-	-	0.3VDD	V
OUTPUT HIGH LEVEL VOLTAGE	VOH	2.4	-	-	V
OUTPUT LOW LEVEL VOLTAGE	VOL	-	-	0.4	V
POWER SUPPLY CURRENT	IDD	-	9.7	-	mA

## ◆ BLOCK DIAGRAM



External contrast adjustment.

## ◆ OUTLINE DIMENSION

