

◆ FEATURE

- (1) 160*160 DOTS
- (2) 1/160 DUTY CYCLE.
- (3) C.O.B ASSEMBLY.

液晶之友 电话: 020-33819057
[Http://www.lcdfriends.com](http://www.lcdfriends.com)

◆ PIN TABLE

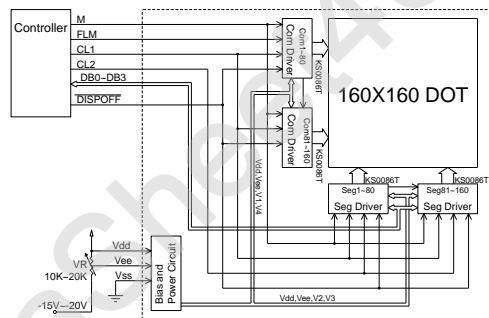
PIN NO.	SYMBOL
1	VSS(GND)
2	M
3	FLM
4	CL1
5	CL2
6	DB3
7	DB2
8	DB1
9	DB0
10	VEE
11	VDD
12	V0
13	DISPOFF
14	A
15	K

◆ ELECTRICAL CHARACTERISTICS

VSS=0V, AT 25°C

ITEMS	SYMBOL	MIN.	TYP.	MAX.	UNIT
SUPPLY VOLTAGE (LOGIC)	VDD-VSS	4.75	5	5.52	V
SUPPLY VOLTAGE (LCD)	VDD-V0	-	17	-	V
INPUT HIGH LEVEL VOLTAGE	VIH	2.2	-	VDD	V
INPUT LOW LEVEL VOLTAGE	VIL	-	-	0.6	V
OUTPUT HIGH LEVEL VOLTAGE	VOH	2.4	-	-	V
OUTPUT LOW LEVEL VOLTAGE	VOL	-	-	0.4	V
POWER SUPPLY CURRENT	IDD	-	1.5	3	mA

◆ BLOCK DIAGRAM



External contrast adjustment.

◆ OUTLINE DIMENSION

