

液晶之友 电话: 020-33819057
[Http://www.lcdfriends.com](http://www.lcdfriends.com)

◆ FEATURE

- (1) 240*128 DOTS
- (2) 1/128 DUTY CYCLE.
- (3) C.O.B ASSEMBLY.

◆ PIN TABLE

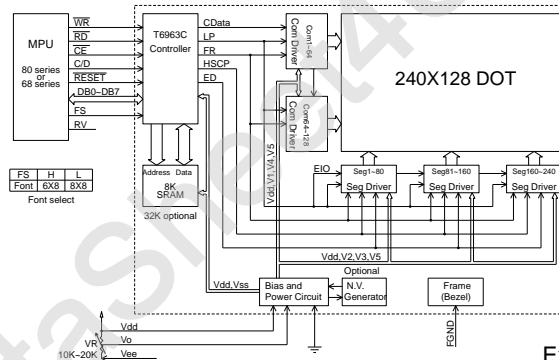
PIN NO.	SYMBOL
1	FGND
2	VSS
3	VDD
4	VEE
5	WR
6	RD
7	CE
8	C/D
9	NC
10	RST
11	DB0
12	DB1
13	DB2
14	DB3
15	DB4
16	DB5
17	DB6
18	DB7
19	FS
20	RV

◆ ELECTRICAL CHARACTERISTICS

VSS=0V, AT 25°C

ITEMS	SYMBOL	MIN.	TYP.	MAX.	UNIT
SUPPLY VOLTAGE (LOGIC)	VDD-VSS	4.75	5	5.25	V
SUPPLY VOLTAGE (LCD)	VDD-V0	-	18.5	-	V
INPUT HIGH LEVEL VOLTAGE	VIH	2.2	-	VDD	V
INPUT LOW LEVEL VOLTAGE	VIL	-	-	0.8	V
OUTPUT HIGH LEVEL VOLTAGE	VOH	2.4	-	VDD	V
OUTPUT LOW LEVEL VOLTAGE	VOL	-	-	0.4	V
POWER SUPPLY CURRENT	IDD	-	45	-	mA

◆ BLOCK DIAGRAM



External contrast adjustment.

◆ OUTLINE DIMENSION

