

◆ FEATURE

- (1) 320*240 DOTS
- (2) 1/240 DUTY CYCLE.
- (3) C.O.B ASSEMBLY.

液晶之友 电话: 020-33819057
Http://www.lcdfriends.com

◆ PIN TABLE

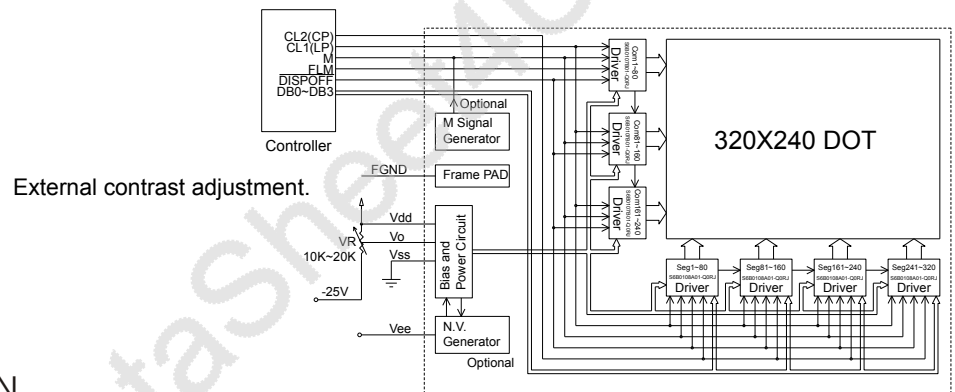
PIN NO.	SYMBOL
1	DB0
2	DB1
3	DB2
4	DB3
5	DISPOFF
6	FRAME
7	M(N.C.)
8	LOAD
9	CP
10	VDD
11	VSS
12	VEE
13	VO
14	FGND

◆ ELECTRICAL CHARACTERISTICS

VSS=0V, AT 25°C

ITEMS	SYMBOL	MIN.	TYP.	MAX.	UNIT
SUPPLY VOLTAGE (LOGIC)	VDD-VSS	4.75	5	5.25	V
SUPPLY VOLTAGE (LCD)	VDD-V0	21.3	22.2	23	V
INPUT HIGH LEVEL VOLTAGE	VIH	0.8VDD	-	VDD	V
INPUT LOW LEVEL VOLTAGE	VIL	-	-	0.2VDD	V
OUTPUT HIGH LEVEL VOLTAGE	VOH	VDD-0.4	-	-	V
OUTPUT LOW LEVEL VOLTAGE	VOL	-	-	0.4	V
POWER SUPPLY CURRENT	IDD	-	7.7	-	mA

◆ BLOCK DIAGRAM



◆ OUTLINE DIMENSION

