

◆ FEATURE

- (1) 320*240 DOTS
- (2) 1/240 DUTY CYCLE.
- (3) C.O.B ASSEMBLY.

液晶之友 电话: 020-33819057
[Http://www.lcdfriends.com](http://www.lcdfriends.com)

◆ PIN TABLE

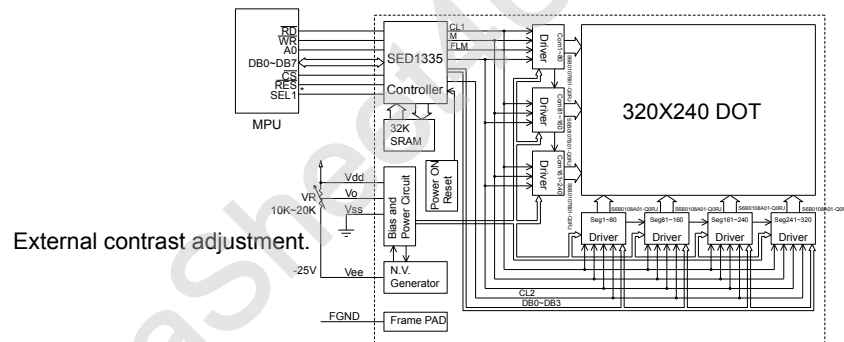
PIN NO.	SYMBOL
1	VSS
2	VDD
3	V0
4	A0
5	WR
6	RD
7	DB0
8	DB1
9	DB2
10	DB3
11	DB4
12	DB5
13	DB6
14	DB7
15	CS
16	RES
17	VEE
18	SEL1
19	FGND
20	NC

◆ ELECTRICAL CHARACTERISTICS

VSS=0V, AT 25°C

ITEMS	SYMBOL	MIN.	TYP.	MAX.	UNIT
SUPPLY VOLTAGE (LOGIC)	VDD-VSS	4.75	5	5.25	V
SUPPLY VOLTAGE (LCD)	VDD-V0	-	24	-	V
INPUT HIGH LEVEL VOLTAGE	VIH	0.8VDD	-	VDD	V
INPUT LOW LEVEL VOLTAGE	VIL	-	-	0.2VDD	V
OUTPUT HIGH LEVEL VOLTAGE	VOH	VDD-0.4	-	-	V
OUTPUT LOW LEVEL VOLTAGE	VOL	-	-	0.4	V
POWER SUPPLY CURRENT	IDD	90	100	110	mA

◆ BLOCK DIAGRAM



*:6800 family or 8080family interface selectable.

◆ OUTLINE DIMENSION

