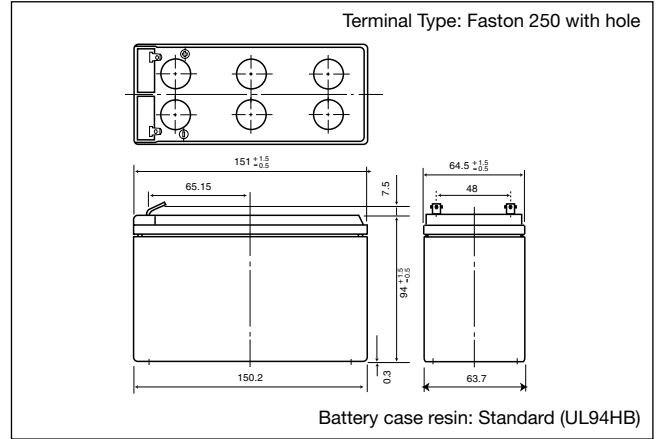


UP-RW1245P1

For standby power supplies.
Trickle Design life: 6 – 9 years at 20 °C.



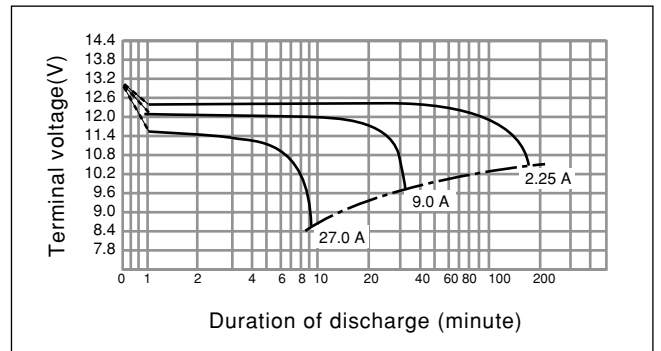
Dimensions (mm)



Specifications

Nominal voltage		12 V
Nominal capacity (10 minute rate)		45 W/2 V
Dimensions	Length	151.0 mm
	Width	64.5 mm
	Height	94.0 mm
	Total Height	101.5 mm
Approx. mass		2.6 kg

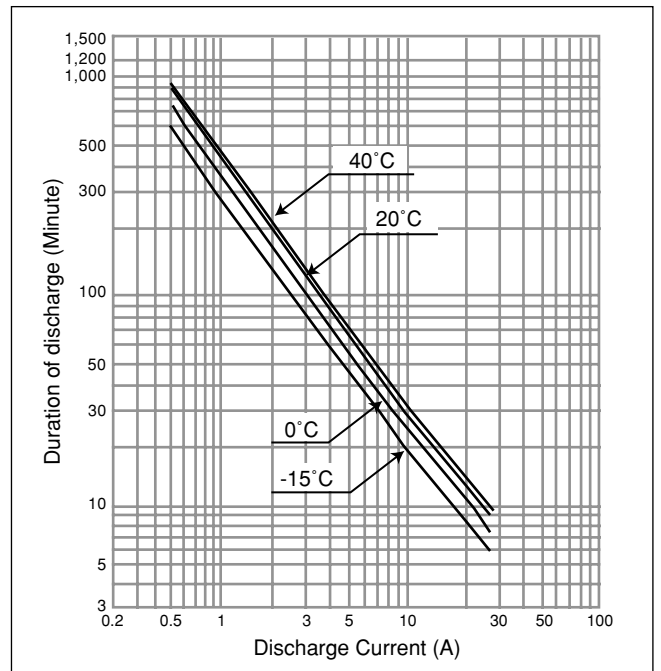
Discharge characteristics (20 °C) (Note)



Characteristics

Capacity (note) (20 °C) (9.6 V cutoff)	30 minute rate	108 W
	15 minute rate	185 W
	10 minute rate	254 W
	5 minute rate	389 W
Internal resistance	Fully charged battery (20 °C)	Approx. 21 mΩ
Temperature dependency of capacity (10 hour rate)	40 °C	102 %
	20 °C	100 %
	0 °C	85 %
	-15 °C	65 %
Self discharge (20 °C)	Residual capacity after standing 3 months	91 %
	Residual capacity after standing 6 months	83 %
	Residual capacity after standing 12 months	66 %

Duration of discharge vs. Discharge current (Note)



Watt table

Cutoff	Discharge Runtime at 20 °C (unit: watt)						
	3 min.	5 min.	7 min.	10 min.	15 min.	20 min.	30 min.
9.6 V	503	389	313	254	185	154	108
10.2 V	465	370	299	245	183	151	107
10.8 V	412	313	260	222	171	141	105

(Note) The above characteristics data are average values obtained within three charge/discharge cycles, not the minimum values.

(Note) This battery is designed for high-rate discharge, therefore we do not specify 20-hour-rate discharge capacity.

(Note) When specific conditions are satisfied, this battery can be used for main power supplies. Please consult Panasonic.