

■ 6427525 0050012 550 ■ NECE

NEC
ELECTRON DEVICE

PRELIMINARY PRODUCT INFORMATION

BIPOLAR ANALOG INTEGRATED CIRCUIT

μ PC1861

HORIZONTAL LOCK CLOCK GENERATOR

The μ PC1861 is an LSI chip which incorporates a PLL circuit to generate clocks whose frequency is multipliable by f_H (Horizontal sync signal frequency) and is ideal for the processing of digital video signals.

Thanks to the sync separator, phase comparator, and voltage controlled oscillator (VCO) also incorporated in the LSI chip, a horizontal lock clock (synchronous with a horizontal sync signal) can be obtained by dividing the frequency of the generated clock with an external frequency divider. In addition, the μ PC1861 adopts a 16-pin small outline package (SOP) and thus saves mounting space on a PC board.

FEATURES

- VCO is incorporated (may be used up to $1.820 f_H$ (2.6 MHz)).
- Horizontal sync separator is incorporated.
- Low current consumption (approx. 55 mA typ.).

ORDERING INFORMATION

PART NUMBER	PACKAGE	QUALITY GRADE
μ PC1861GR	16-pin plastic SOP (225 mil)	Standard

Please refer to "Quality grade on NEC Semiconductor Devices" (Document number IEI-1209) published by NEC Corporation to know the specification of quality grade on the devices and its recommended applications.

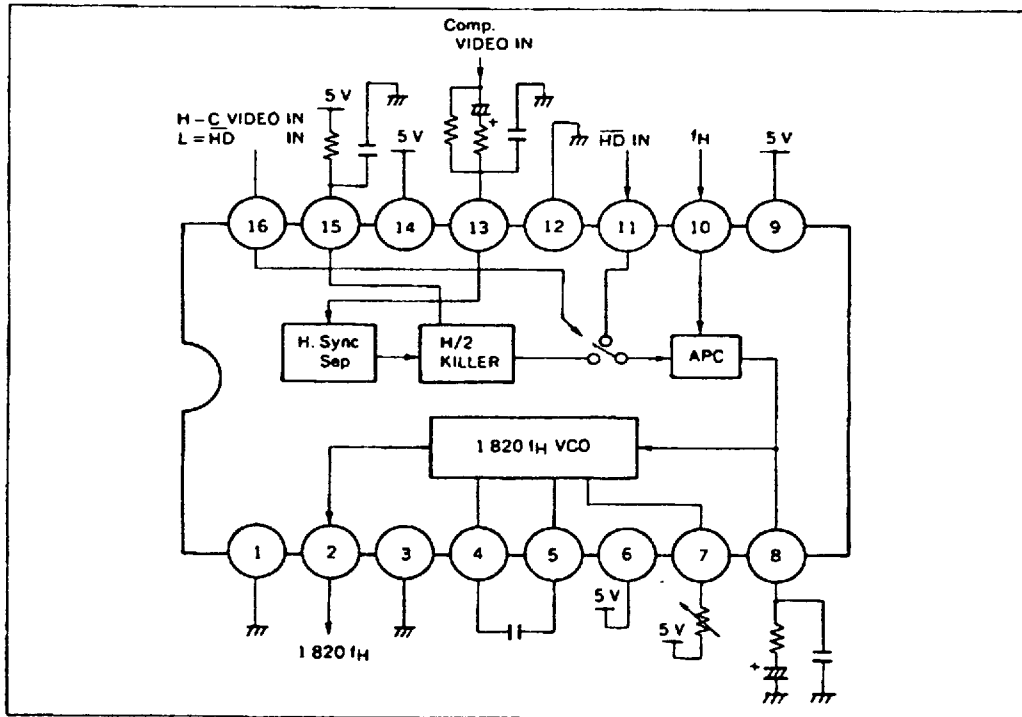
The information contained in this document is being issued in advance of the production cycle for the device. The parameters for the device may change before final production or NEC Corporation, at its own discretion, may withdraw the device prior to its production.

■ 6427525 0050013 497 ■ NECE

NEC

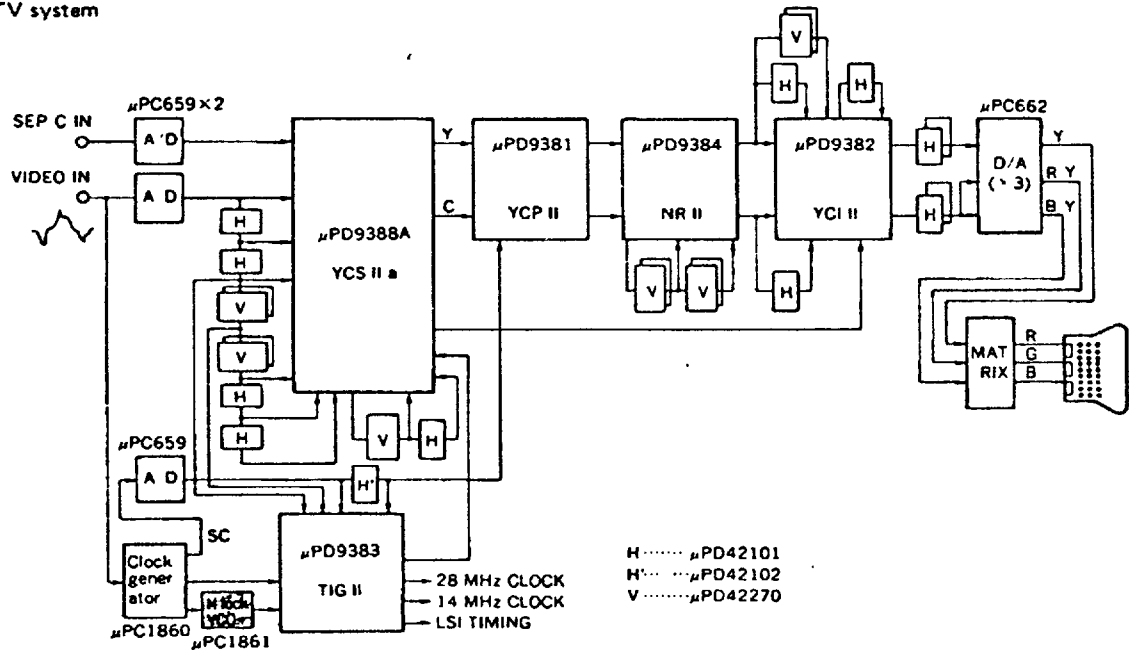
μPC1861

BLOCK DIAGRAM



Block Diagram of System to which μPC1861 Is Applied.

(1) EDTV system

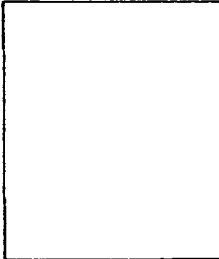


■ 6427525 0050014 323 ■ NECE

NEC

μPC1861

PIN ASSIGNMENTS (Top View)

GND (for VCO)	1		16	Input selector switch
VCO output	2		15	H/2 killer pulse width time constant
GND (for Sync separator)	3		14	VCC (for Sync separator)
Osc capacitor 1	4		13	H sync separation input (C VIDEO input)
Osc capacitor 2	5		12	GND (for APC)
VCC (for VCO)	6		11	HD pulse input
Osc frequency adjust	7		10	External frequency divider input
Filter	B		9	VDD (for APC)

6427525 0050015 26T NECE

NEC

μPC1861

ELECTRICAL CHARACTERISTICS

ABSOLUTE MAXIMUM RATINGS ($T_a = 25^\circ\text{C}$)

PARAMETER	SYMBOL	CONDITIONS	RATING	UNIT
Supply Voltage	V _{CC}	Applicable to Power Supply pins 6 & 14	7	V
Supply Voltage	V _{DD}	Applicable to Power Supply pin 9	7	V
Composite Video Input Signal Voltage	ei2		3	V _{p-p}
Input Voltage	ei	Applicable to Input pins 10 & 11 (CMOS input)	-0.5 to V _{DD} +0.5	V
Input Select Voltage	V16	Applicable to Input pin 16 (CMOS input)	-0.5 to V _{DD} +0.5	V
Power Dissipation of Package	P _D	T _a = 75 °C	275	mW
Operating Temperature	T _{opt}		-10 to +75	°C
Storage Temperature	T _{stg}		-40 to +125	°C

RECOMMENDED OPERATING CONDITIONS ($T_{opt} = -10$ to $+75^\circ\text{C}$)

PARAMETER	SYMBOL	MIN.	TYP.	MAX.	UNIT	CONDITIONS
Supply Voltage 1	V _{CC}	4.5	5.0	5.5	V	Applicable to Power Supply pins 6 & 14
Supply Voltage 2	V _{DD}	4.5	5.0	5.5	V	Applicable to Power Supply pin 9
Composite Video Input Signal	ei2		1.0		V _{p-p}	
Input Voltage, Low	eiL	0		0.3 V _{DD}	V	Applicable to Input pins 10 & 11 (CMOS input)
Input Voltage, High	eiH	0.7 V _{DD}		V _{DD}	V	
Input Select Voltage, Low	V16L	0		0.3 V _{DD}	V	Applicable to Input pin 11 (CMOS input)
Input Select Voltage, High	V16H	0.7 V _{DD}		V _{DD}	V	Applicable to Input pin 13 (CMOS input)

6427525 0050016 1T6 NECE

NEC

μPC1861

AC/DC CHARACTERISTICS ($T_2 = 25 \pm 2^\circ\text{C}$, $RH \leq 70\%$, $V_{CC} = 5.0\text{ V}$, $V_{DD} = 5.0\text{ V}$)

No.	PARAMETER	SYMBOL	MIN.	TYP.	MAX.	UNIT	CONDITIONS
1	Current Consumption 1	I_{CC1}		9.5		mA	Circuit current when no signal is input (including I_{DD} : Pins 11, 16 = "L"; Pin 13: Open; Pin 7 = 200 μA)
2	Current Consumption 2	I_{CC2}		10.7		mA	Circuit current when PLL is locked (including I_{DD} : Pins 11, 16 = "L"; Pin 13: C. Video; Pin 7 = 200 μA)
3	DC Level of H Sync Separation Level	V_{SSH}	1.9	2.2	2.5	V	Voltage of Pin No. 13 when connected to GND via 10 k Ω resistor
4	Minimum Sync Separation Level	V_{SEP}	60			mV	Critical sync level at which output to Pin 15 is no longer produced when sync level of C. VIDEO is lowered
5	H Sync Lock-in Range	f_{HP}		± 1.75		kHz	Frequency range that can be pulled in by APC when HD input frequency is varied (f_H conversion)
6	VCO Control Sensitivity High level (1)	β		0.7		Hz/mV	Rate of variation of frequency with no signal being input to Pin 13, with Pins 10, 11, & 16 set to "H" or "L", and with 0 to 5 V being applied to Pin 8 (f_H conversion)
7	Free-run Frequency (Without Adjustment)	f_0		0		Hz	Frequency difference of VCO output from 1 820 f_H with no signal being input to Pin 13, with Pins 10, 11, & 16 set to "H" or "L", and with Pin 8 left open
8	Free-run Frequency Adjustable Range	f_{OC}		± 1.5		MHz	Adjustable free-run frequency range with no signal being input to Pin 13, with Pins 10, 11, & 16 set to "H" or "L", and with Pin 8 left open
9	VCO Output Level	e_{VCO}		1		V_{pp}	Output level of VCO with no signal being input to Pin 13, with Pins 10, 11 & 16 set to "H" or "L", and with Pin 8 left open
10	Oscillation Start (Stop) Voltage of VCO	V_{ST}	2.85			V	Voltage at which VCO starts (or stops) oscillation when V_{CC} (Pin 6) is gradually increased from 0 V (or decreased from 5 V) with no signal being input to Pin 13, with Pins 10, 11, & 16 set to "H" or "L", and with Pin 8 left open
11	Fluctuation of Free-run Frequency Due to Supply Voltage Fluctuations	$\Delta f_0 (V_{CC})$		0		Hz/V	Fluctuation of free-run frequency at V_{CC} (Pin 6) = 4.5 to 5.5 V (under the same pin conditions as f_0)
12	Fluctuation of VCO Output Level Due to Supply Voltage Fluctuations	$\Delta e_{VCO} (V_{CC})$		0.5		V_{pp}/V	Fluctuation of VCO output level at V_{CC} (Pin 6) = 4.5 to 5.5 V (under the same pin conditions as f_0)

6427525 0050017 032 ■NECE

NEC

μPC1861

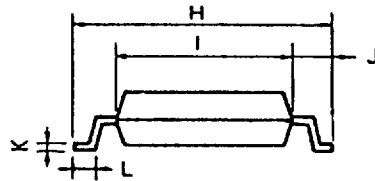
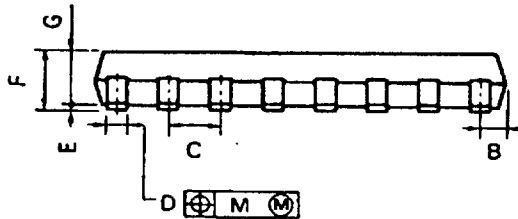
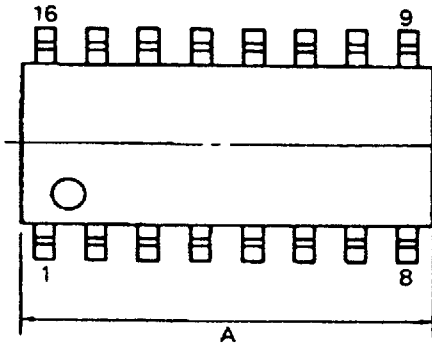
No.	PARAMETER	SYMBOL	MIN.	TYP.	MAX.	UNIT	CONDITIONS
13	Fluctuation of Free-run Frequency Due to Temperature Fluctuations	$\Delta f_o(T)$		6.5		Hz/°C	Fluctuation of free-run frequency at $T_a = -10^\circ\text{C}$ to $+60^\circ\text{C}$ (under the same pin conditions as f_o)
14	Fluctuation of VCO Output Level Due to Temperature Fluctuations	$\Delta_{e\text{VCO}}(T)$				V _{p-p} /°C	Fluctuation of VCO output level at $T_a = -10^\circ\text{C}$ to $+60^\circ\text{C}$ (under the same pin conditions as f_o)
15	Residual Jitter	T_J			5	ns	Distortion width of output waveform when PLL is locked
16	Output Delay Time 1 (to C. VIDEO)	T_{d1}				ns	Amount of delay in VCO output from H. SYNC of C. VIDEO when PLL is locked at C. VIDEO input
17	Output Delay Time 2 (to HD)	T_{d2}				ns	Amount of delay in VCO output from HD when PLL is locked at HD input

■ 6427525 0050018 T79 ■ NECE

NEC

μPC1861

16PIN PLASTIC SOP (225 mil)



NOTE

Each lead centerline is located within 0.12 mm (0.005 inch) of its true position (T.P.) at maximum material condition.

S16GM-50-225B.C-1

ITEM	MILLIMETERS	INCHES
A	10.46 MAX.	0.412 MAX.
B	0.78 MAX.	0.031 MAX.
C	1.27 (T.P.)	0.050 (T.P.)
D	0.40 ^{+0.10} / _{-0.05}	0.016 ^{+0.004} / _{-0.003}
E	0.1 ^{±0.1}	0.004 ^{±0.004}
F	1.8 MAX.	0.071 MAX.
G	1.49	0.059
H	6.5 ^{±0.3}	0.256 ^{±0.012}
I	4.4	0.173
J	1.1	0.043
K	0.15 ^{+0.10} / _{-0.05}	0.006 ^{+0.003} / _{-0.002}
L	0.6 ^{±0.2}	0.024 ^{+0.008} / _{-0.005}
M	0.12	0.005