

HIGH PERFORMANCE DUAL OPERATIONAL AMPLIFIER

DESCRIPTION

The  $\mu$ PC4558 is a dual type operational amplifier having internal phase compensating circuits, its electrical characteristics features higher speed, broader bandwidth, and lower noise compared with such conventional general purpose operational amplifier as  $\mu$ PC741.

Therefore, application to active filters, audio amplifiers, VCO, etc. can be realized with simple circuit composition.

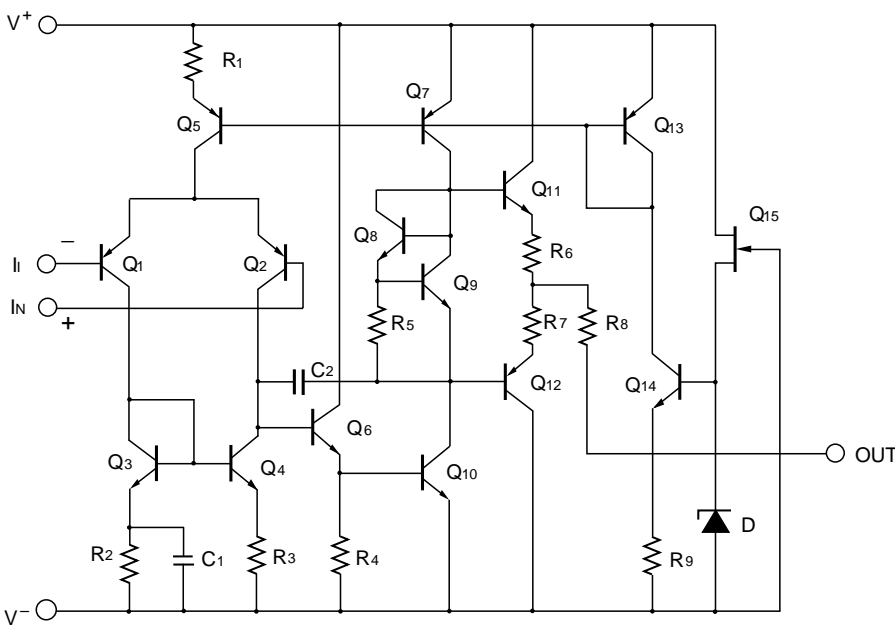
FEATURES

- Internal frequency compensation
- Low noise
- Output short circuit protection

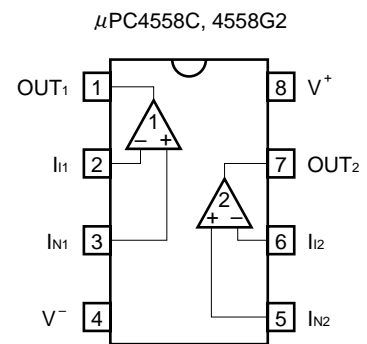
ORDERING INFORMATION

Part Number	Package
$\mu$ PC4558C	8-pin plastic DIP (7.62 mm (300))
$\mu$ PC4558G2	8-pin plastic SOP (5.72 mm (225))
★ $\mu$ PC4558G2(5)	8-pin plastic SOP (5.72 mm (225))

EQUIVALENT CIRCUIT (1/2 Circuit)



PIN CONFIGURATION (Top View)



The information in this document is subject to change without notice. Before using this document, please confirm that this is the latest version.  
 Not all products and/or types are available in every country. Please check with an NEC Electronics sales representative for availability and additional information.

**ABSOLUTE MAXIMUM RATINGS (T<sub>A</sub> = 25°C)**

Parameter		Symbol	Ratings	Unit
Voltage between V <sup>+</sup> and V <sup>-</sup> <sup>Note 1</sup>		V <sup>+</sup> - V <sup>-</sup>	-0.3 to +36	V
Differential Input Voltage		V <sub>ID</sub>	±30	V
Input Voltage <sup>Note 2</sup>		V <sub>I</sub>	V <sup>-</sup> -0.3 to V <sup>+</sup> +0.3	V
Output Voltage <sup>Note 3</sup>		V <sub>O</sub>	V <sup>-</sup> -0.3 to V <sup>+</sup> +0.3	V
Power Dissipation	C Package <sup>Note 4</sup>	P <sub>T</sub>	350	mW
	G2 Package <sup>Note 5</sup>		440	mW
Output Short Circuit Duration <sup>Note 6</sup>			Indefinite	sec
Operating Ambient Temperature		T <sub>A</sub>	-20 to +80	°C
Storage Temperature		T <sub>stg</sub>	-55 to +125	°C

- Notes**
- Reverse connection of supply voltage can cause destruction.
  - The input voltage should be allowed to input without damage or destruction. Even during the transition period of supply voltage, power on/off etc., this specification should be kept. The normal operation will establish when the both inputs are within the Common Mode Input Voltage Range of electrical characteristics.
  - This specification is the voltage which should be allowed to supply to the output terminal from external without damage or destructive. Even during the transition period of supply voltage, power on/off etc., this specification should be kept. The output voltage of normal operation will be the Output Voltage Swing of electrical characteristics.
  - Thermal derating factor is -5.0 mV/°C when operating ambient temperature is higher than 55°C.
  - Thermal derating factor is -4.4 mV/°C when operating ambient temperature is higher than 25°C.
  - Pay careful attention to the total power dissipation not to exceed the absolute maximum ratings, Note 4 and Note 5.

**RECOMMENDED OPERATING CONDITIONS**

Parameter	Symbol	MIN.	TYP.	MAX.	Unit
Supply Voltage	V <sup>±</sup>	±4		±16	V

μPC4558C, μPC4558G2

ELECTRICAL CHARACTERISTICS (T<sub>A</sub> = 25°C, V<sup>±</sup> = ±15 V)

Parameter	Symbol	Conditions	MIN.	TYP.	MAX.	Unit
Input Offset Voltage	V <sub>IO</sub>	R <sub>S</sub> ≤ 10 Ω		±0.5	±6.0	mV
Input Offset Current <sup>Note</sup>	I <sub>IO</sub>			±5	±200	nA
Input Bias Current <sup>Note</sup>	I <sub>B</sub>			60	500	nA
Large Signal Voltage Gain	A <sub>V</sub>	R <sub>L</sub> ≥ 2 kΩ, V <sub>O</sub> = ±10 V	20,000	100,000		
★ Power Consumption	P <sub>d</sub>	I <sub>O</sub> = 0 A		90	170	mW
Common Mode Rejection Ratio	CMR	R <sub>S</sub> ≤ 10 kΩ	70	90		dB
Source Variation Rejection Ratio	SVR	R <sub>S</sub> ≤ 10 kΩ		30	150	μV/V
Output Voltage Swing	V <sub>om</sub>	R <sub>L</sub> ≥ 10 kΩ	±12	±14		V
		R <sub>L</sub> ≥ 2 kΩ	±10	±13		V
Common Mode Input Voltage Range	V <sub>ICM</sub>		±12	±14		V
Slew Rate	SR	A <sub>V</sub> = 1		1.0		V/μs
Input Equivalent Noise Voltage	V <sub>n</sub>	R <sub>S</sub> = 1 kΩ, f = 1 Hz to 1 kHz (Figure1)		6		μV <sub>p-p</sub>
Channel Separation		f = 1 kHz (Figure2)		105		dB

**Note** Input bias currents flow out from IC, because each currents are base current of PNP-transistor on input stage.

When using these ICs, pay careful attention to the following points.

1. The total of the internal power dissipation, when the loads of both channels are short-circuited at the same time.
2. The likelihood of interference between the channels, due to the temperature gradient of the chip, when the internal power dissipation of the left and right channels differ greatly in circuits handling low level inputs.

μPC4558G2 (5)

ELECTRICAL CHARACTERISTICS (T<sub>A</sub> = 25°C, V<sup>±</sup> = ±15 V)

Parameter	Symbol	Conditions	MIN.	TYP.	MAX.	Unit
Input Offset Voltage	V <sub>IO</sub>	R <sub>S</sub> ≤ 10 Ω		±0.5	±2.0	mV
Input Offset Current <sup>Note</sup>	I <sub>IO</sub>			±5	±50	nA
Input Bias Current <sup>Note</sup>	I <sub>B</sub>			60	100	nA
Large Signal Voltage Gain	A <sub>V</sub>	R <sub>L</sub> ≥ 2 kΩ, V <sub>O</sub> = ±10 V	50,000	100,000		
★ Power Consumption	P <sub>d</sub>	I <sub>O</sub> = 0 A		90	135	mW
Common Mode Rejection Ratio	CMR	R <sub>S</sub> ≤ 10 kΩ	85	90		dB
Source Variation Rejection Ratio	SVR	R <sub>S</sub> ≤ 10 kΩ		30	75	μV/V
Output Voltage Swing	V <sub>om</sub>	R <sub>L</sub> ≥ 10 kΩ	±12.5	±14		V
		R <sub>L</sub> ≥ 2 kΩ	±11	±13		V
Common Mode Input Voltage Range	V <sub>ICM</sub>		±13	±14		V
Slew Rate	SR	A <sub>V</sub> = 1		1.0		V/μs
Input Equivalent Noise Voltage	V <sub>n</sub>	R <sub>S</sub> = 1 kΩ, f = 1 Hz to 1 kHz (Figure1)		6		μV <sub>p-p</sub>
Channel Separation		f = 1 kHz (Figure2)		105		dB

**Note** Input bias currents flow out from IC, because each currents are base current of PNP-transistor on input stage.

When using these ICs, pay careful attention to the following points.

1. The total of the internal power dissipation, when the loads of both channels are short-circuited at the same time.
2. The likelihood of interference between the channels, due to the temperature gradient of the chip, when the internal power dissipation of the left and right channels differ greatly in circuits handling low level inputs.

MEASUREMENT CIRCUIT

Figure1 Noise Measurement Circuit

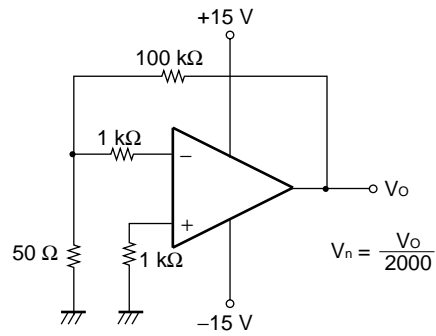
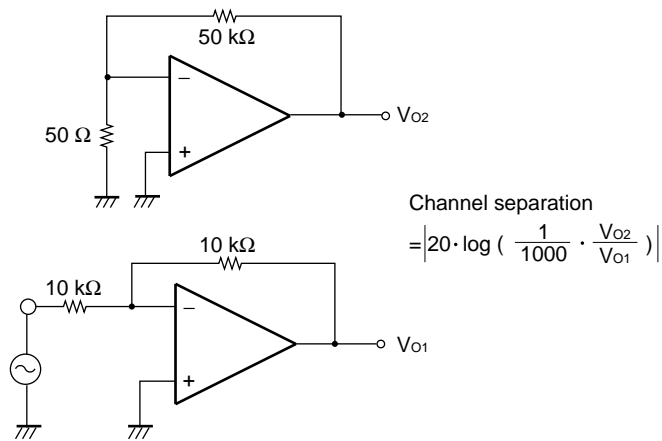
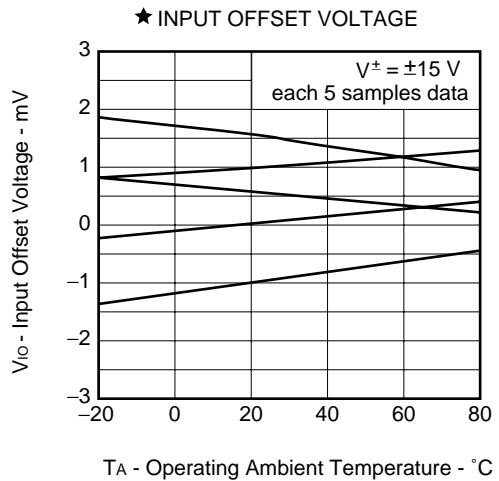
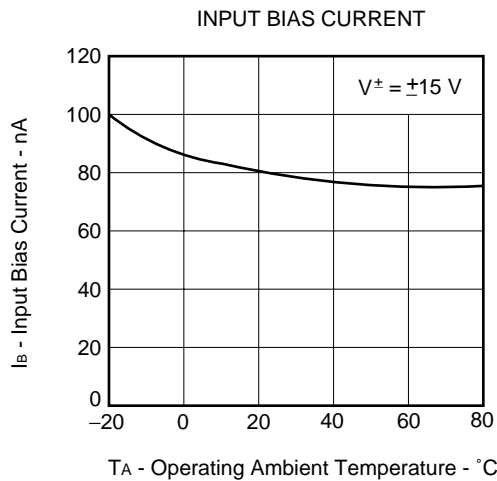
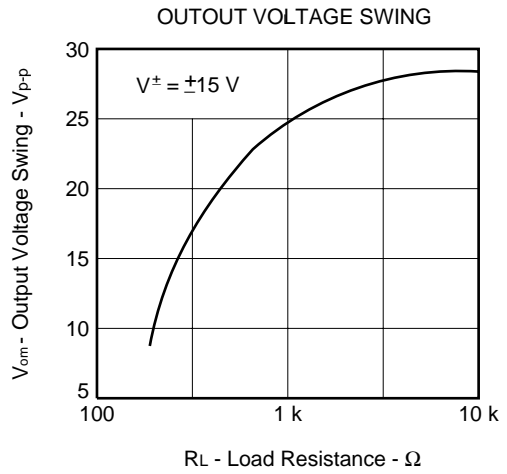
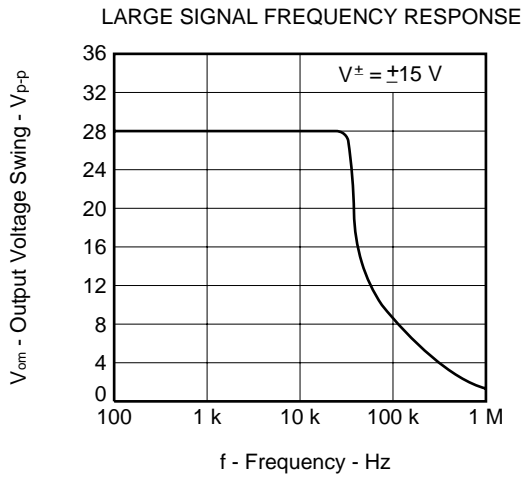
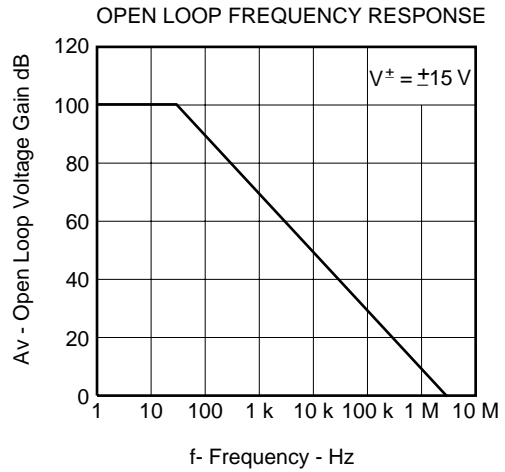
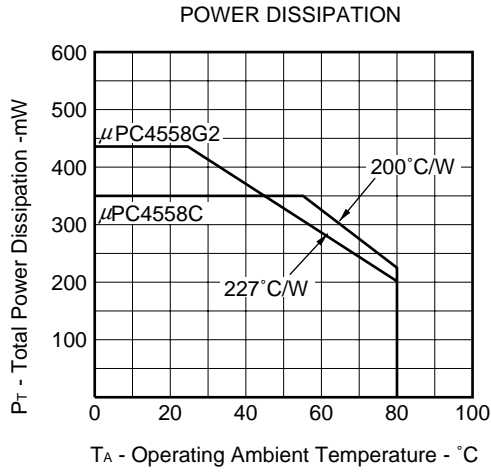


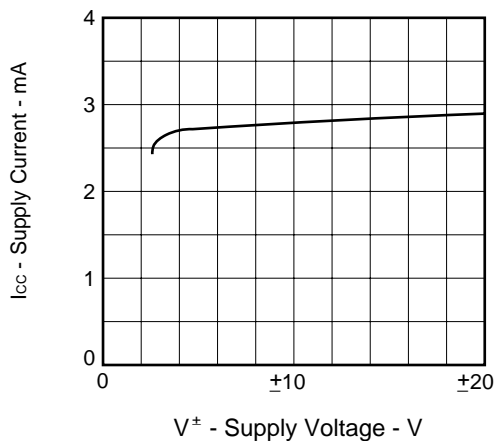
Figure2 Channel Separation Measurement Circuit



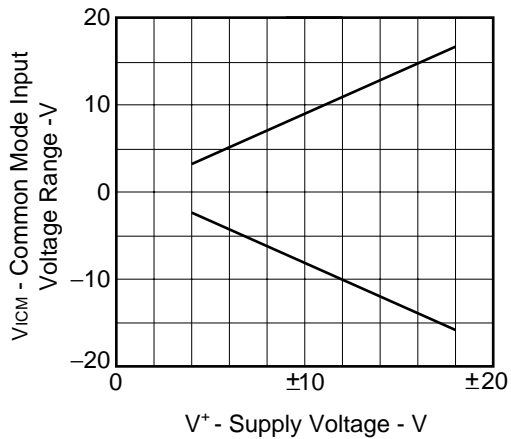
TYPICAL PERFORMANCE CHARACTERISTICS (T<sub>A</sub> = 25°C, TYP.)



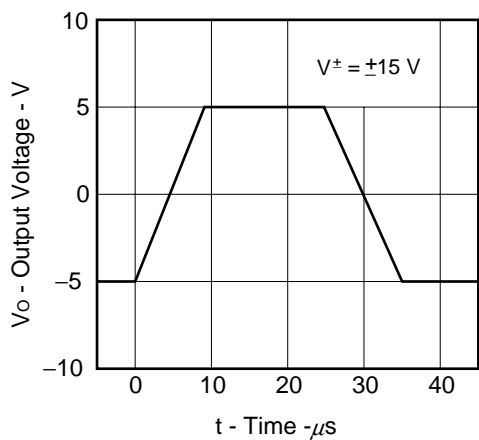
SUPPLY CURRENT



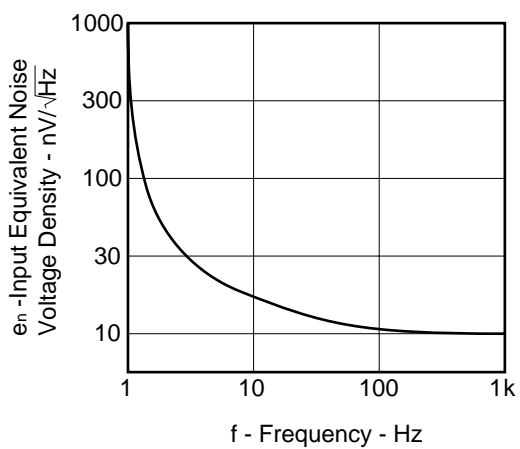
COMMON MODE INPUT VOLTAGE RANGE



VOLTAGE FOLLOWER PULSE RESPONSE

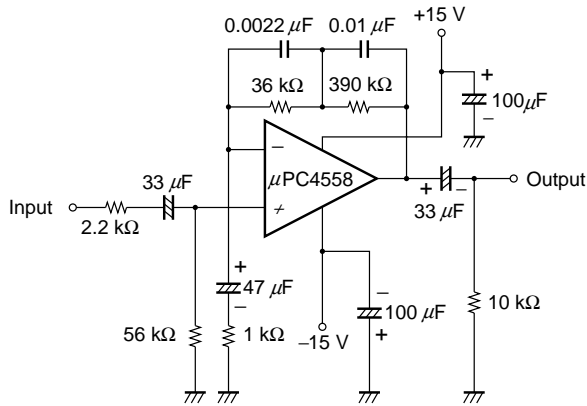


INPUT EQUIVALENT NOISE VOLTAGE DENSITY



**APPLICATION CIRCUIT**

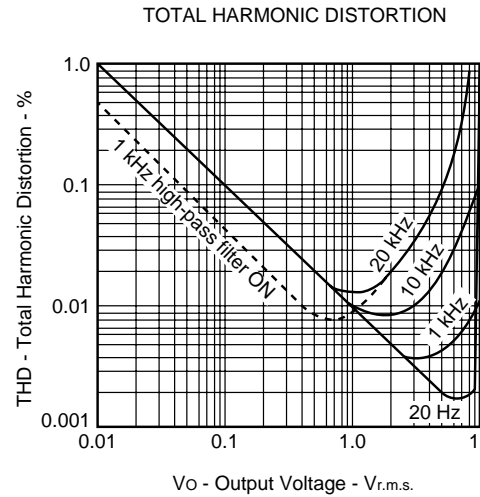
RIAA PREAMP ( $A_v = 32.5$  dB)



**TYPICAL CHARACTERISTIC**

Distortion 0.03% ( $V_o = 1V_{r.m.s.}, f = 1$  kHz)

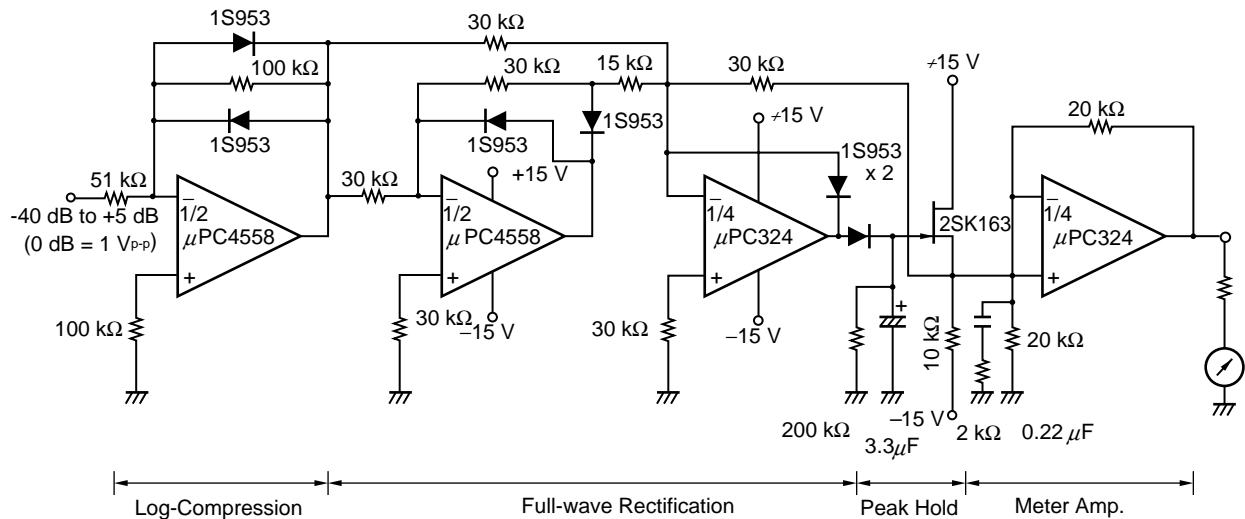
Noise  $1.0 \mu V_{r.m.s.}$  (Input Equiv., Input Short Peak DET., Average Indication)



**PEAK LEVEL METER**

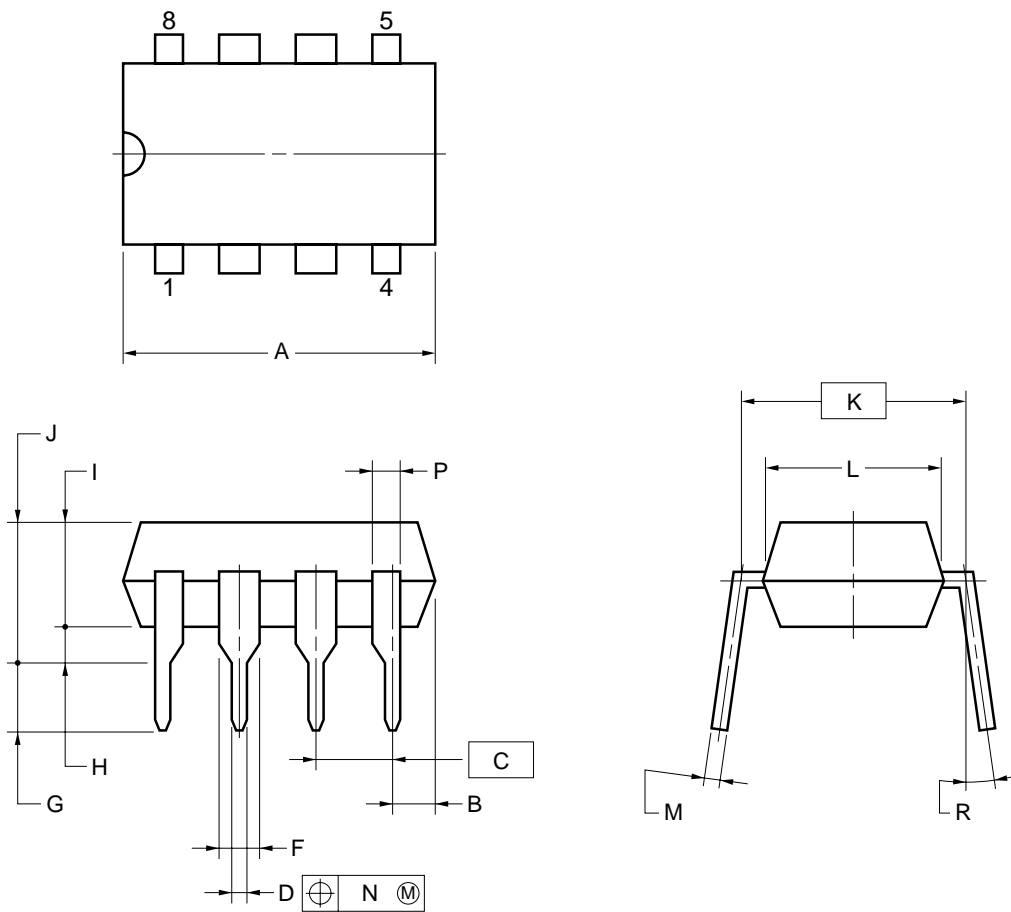
This circuit converts the peak voltage (about  $\pm 10$  mV to  $\pm 10$  V) of the input signal to a DC voltage (about 0.2 V to 1.3 V) and drives the meter.

Since the output voltage is proportional to the logarithmic value of the peak voltage of the input signal, indication of a much wider dynamic range can be obtained compared to conventional linear indicating methods.



PACKAGE DRAWINGS (Unit : mm)

8-PIN PLASTIC DIP (7.62mm(300))



NOTES

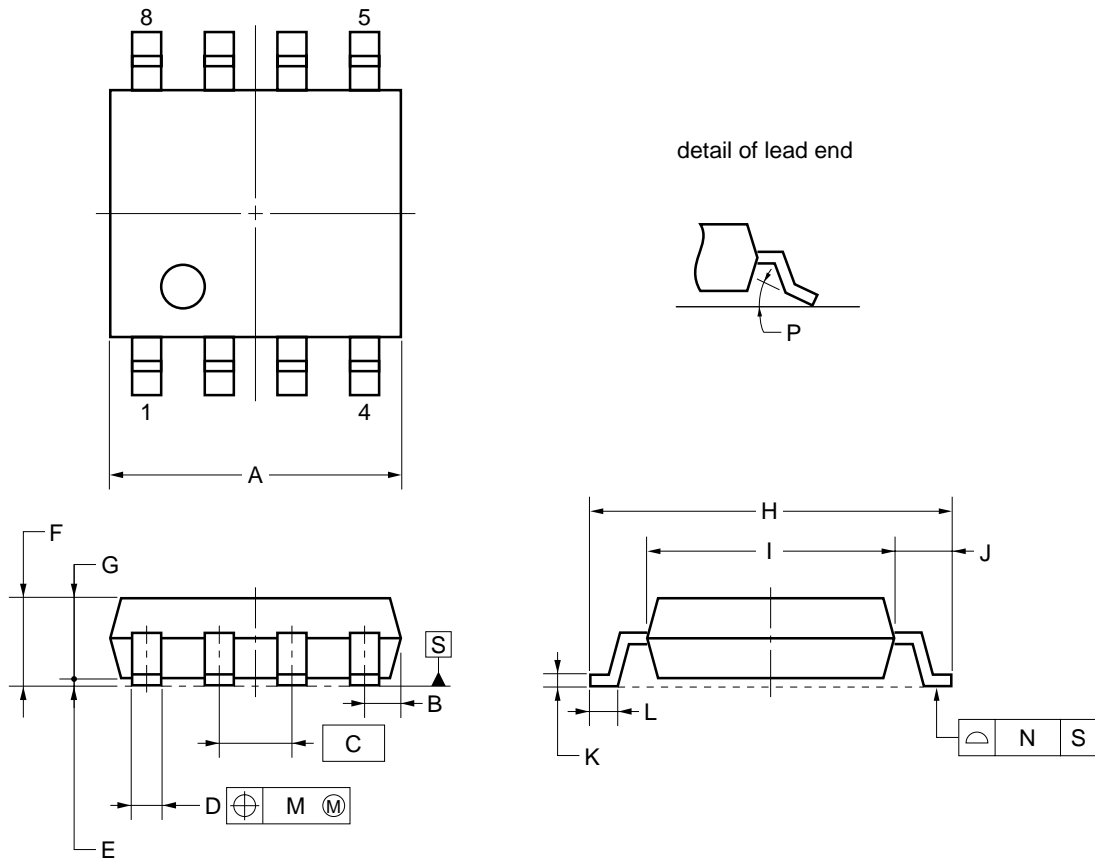
1. Each lead centerline is located within 0.25 mm of its true position (T.P.) at maximum material condition.
2. Item "K" to center of leads when formed parallel.

ITEM	MILLIMETERS
A	10.16 MAX.
B	1.27 MAX.
C	2.54 (T.P.)
D	0.50±0.10
F	1.4 MIN.
G	3.2±0.3
H	0.51 MIN.
I	4.31 MAX.
J	5.08 MAX.
K	7.62 (T.P.)
L	6.4
M	0.25 <sup>+0.10</sup> <sub>-0.05</sub>
N	0.25
P	0.9 MIN.
R	0-15°

P8C-100-300B,C-2



8-PIN PLASTIC SOP (5.72 mm (225))



**NOTE**

Each lead centerline is located within 0.12 mm of its true position (T.P.) at maximum material condition.

ITEM	MILLIMETERS
A	5.2 <sup>+0.17</sup> / <sub>-0.20</sub>
B	0.78 MAX.
C	1.27 (T.P.)
D	0.42 <sup>+0.08</sup> / <sub>-0.07</sub>
E	0.1±0.1
F	1.59±0.21
G	1.49
H	6.5±0.3
I	4.4±0.15
J	1.1±0.2
K	0.17 <sup>+0.08</sup> / <sub>-0.07</sub>
L	0.6±0.2
M	0.12
N	0.10
P	3° <sup>+7°</sup> / <sub>-3°</sub>

S8GM-50-225B-6

★ **RECOMMENDED SOLDERING CONDITIONS**

The μPC4558 should be soldered and mounted under the following recommended conditions.

For soldering methods and conditions other than those recommended below, contact an NEC Electronics sales representative.

For technical information, see the following website.

**Semiconductor Device Mount Manual (<http://www.necel.com/pkg/en/mount/index.html>)**

**Type of Surface Mount Device**

**μPC4558G2: 8-pin plastic SOP (5.72 mm (225))**

Process	Conditions	Symbol
Infrared Ray Reflow	Peak temperature: 230°C or below (Package surface temperature), Reflow time: 30 seconds or less (at 210°C or higher), Maximum number of reflow processes: 1 time.	IR30-00-1
Vapor Phase Soldering	Peak temperature: 215°C or below (Package surface temperature), Reflow time: 40 seconds or less (at 200°C or higher), Maximum number of reflow processes: 1 time.	VP15-00-1
Wave Soldering	Solder temperature: 260°C or below, Flow time: 10 seconds or less, Maximum number of flow processes: 1 time, Pre-heating temperature: 120°C or below (Package surface temperature).	WS60-00-1
Partial Heating Method	Pin temperature: 300°C or below, Heat time: 3 seconds or less (Per each side of the device).	—

**Caution** Apply only one kind of soldering condition to a device, except for "partial heating method", or the device will be damaged by heat stress.

**Type of Through-hole Device**

**μPC4558C: 8-pin plastic DIP (7.62 mm (300))**

Process	Conditions
Wave Soldering (only to leads)	Solder temperature: 260°C or below, Flow time: 10 seconds or less.
Partial Heating Method	Pin temperature: 300°C or below, Heat time: 3 seconds or less (per each lead).

**Caution** For through-hole device, the wave soldering process must be applied only to leads, and make sure that the package body does not get jet soldered.

- **The information in this document is current as of March, 2004. The information is subject to change without notice. For actual design-in, refer to the latest publications of NEC Electronics data sheets or data books, etc., for the most up-to-date specifications of NEC Electronics products. Not all products and/or types are available in every country. Please check with an NEC Electronics sales representative for availability and additional information.**
- No part of this document may be copied or reproduced in any form or by any means without the prior written consent of NEC Electronics. NEC Electronics assumes no responsibility for any errors that may appear in this document.
- NEC Electronics does not assume any liability for infringement of patents, copyrights or other intellectual property rights of third parties by or arising from the use of NEC Electronics products listed in this document or any other liability arising from the use of such products. No license, express, implied or otherwise, is granted under any patents, copyrights or other intellectual property rights of NEC Electronics or others.
- Descriptions of circuits, software and other related information in this document are provided for illustrative purposes in semiconductor product operation and application examples. The incorporation of these circuits, software and information in the design of a customer's equipment shall be done under the full responsibility of the customer. NEC Electronics assumes no responsibility for any losses incurred by customers or third parties arising from the use of these circuits, software and information.
- While NEC Electronics endeavors to enhance the quality, reliability and safety of NEC Electronics products, customers agree and acknowledge that the possibility of defects thereof cannot be eliminated entirely. To minimize risks of damage to property or injury (including death) to persons arising from defects in NEC Electronics products, customers must incorporate sufficient safety measures in their design, such as redundancy, fire-containment and anti-failure features.
- NEC Electronics products are classified into the following three quality grades: "Standard", "Special" and "Specific".

The "Specific" quality grade applies only to NEC Electronics products developed based on a customer-designated "quality assurance program" for a specific application. The recommended applications of an NEC Electronics product depend on its quality grade, as indicated below. Customers must check the quality grade of each NEC Electronics product before using it in a particular application.

"Standard": Computers, office equipment, communications equipment, test and measurement equipment, audio and visual equipment, home electronic appliances, machine tools, personal electronic equipment and industrial robots.

"Special": Transportation equipment (automobiles, trains, ships, etc.), traffic control systems, anti-disaster systems, anti-crime systems, safety equipment and medical equipment (not specifically designed for life support).

"Specific": Aircraft, aerospace equipment, submersible repeaters, nuclear reactor control systems, life support systems and medical equipment for life support, etc.

The quality grade of NEC Electronics products is "Standard" unless otherwise expressly specified in NEC Electronics data sheets or data books, etc. If customers wish to use NEC Electronics products in applications not intended by NEC Electronics, they must contact an NEC Electronics sales representative in advance to determine NEC Electronics' willingness to support a given application.

(Note)

- (1) "NEC Electronics" as used in this statement means NEC Electronics Corporation and also includes its majority-owned subsidiaries.
- (2) "NEC Electronics products" means any product developed or manufactured by or for NEC Electronics (as defined above).