

FLASH MEMORY VOLTAGE STEPUP DC/DC CONVERTER IC

The μ PD16901 is a DC/DC converter IC which produces a 12 V output from a 5 V input source. The integration of a control circuit and power MOSFET in the output stage on a single-chip allows a power supply for flash memory write and erasure to be configured with a reduced number of external components.

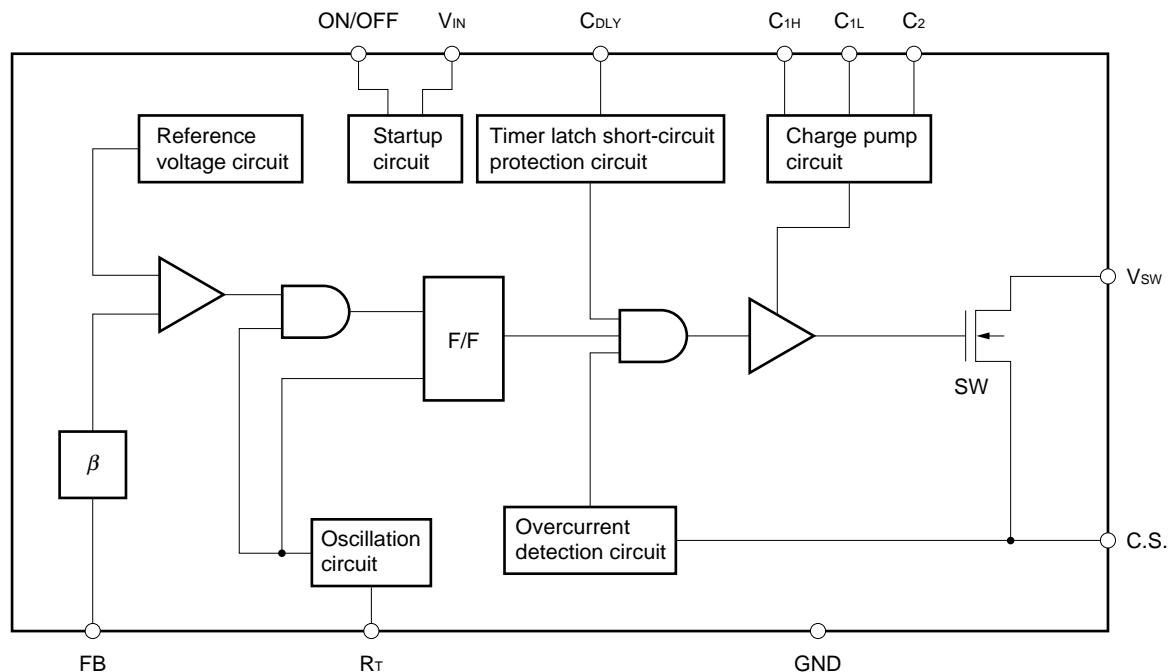
FEATURES

- With an on-chip output stage power MOSFET, fewer external components are needed.
- The ALLMOS structure achieves low power consumption.
- Internally set output voltage eliminates the need for adjustment.
- Output can be turned ON/OFF via an external signal.
- A timer latch type overcurrent protection circuit on chip

ORDERING INFORMATION

Part Number	Package
μ PD16901GS	14-pin plastic SOP (300 mil)

BLOCK DIAGRAM



The information in this document is subject to change without notice.

ABSOLUTE MAXIMUM RATINGS (T_A = 25 °C unless specified otherwise)

Item	Symbol	Condition	Rating	Unit
Supply voltage	V _{IN}		7.0	V
Output voltage	V _{SW}		20	V
Total power dissipation	P _T	Note	0.9	W
Operating ambient temperature	T _A		-20 to 85	°C
Storage temperature range	T _{stg}		-55 to +150	°C

Note When 90 mm × 90 mm × 1.6 mm thick glass epoxy board is mounted

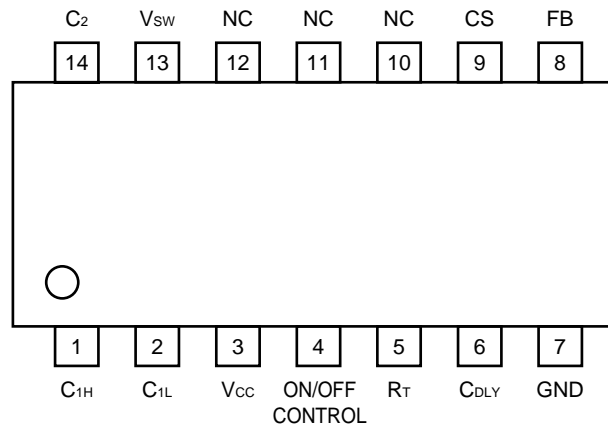
RECOMMENDED OPERATING RANGE

Item	Symbol	MIN.	TYP.	MAX.	Unit
Supply voltage	V _{DD}	4.5	5.0	5.5	V
Charge pump capacitor	C1, C2	0.033	0.1	0.47	μF
Operating ambient temperature	T _A	0		70	°C

ELECTRICAL SPECIFICATIONS (T_A = 25 °C, V_{IN} = 5 V unless specified otherwise)

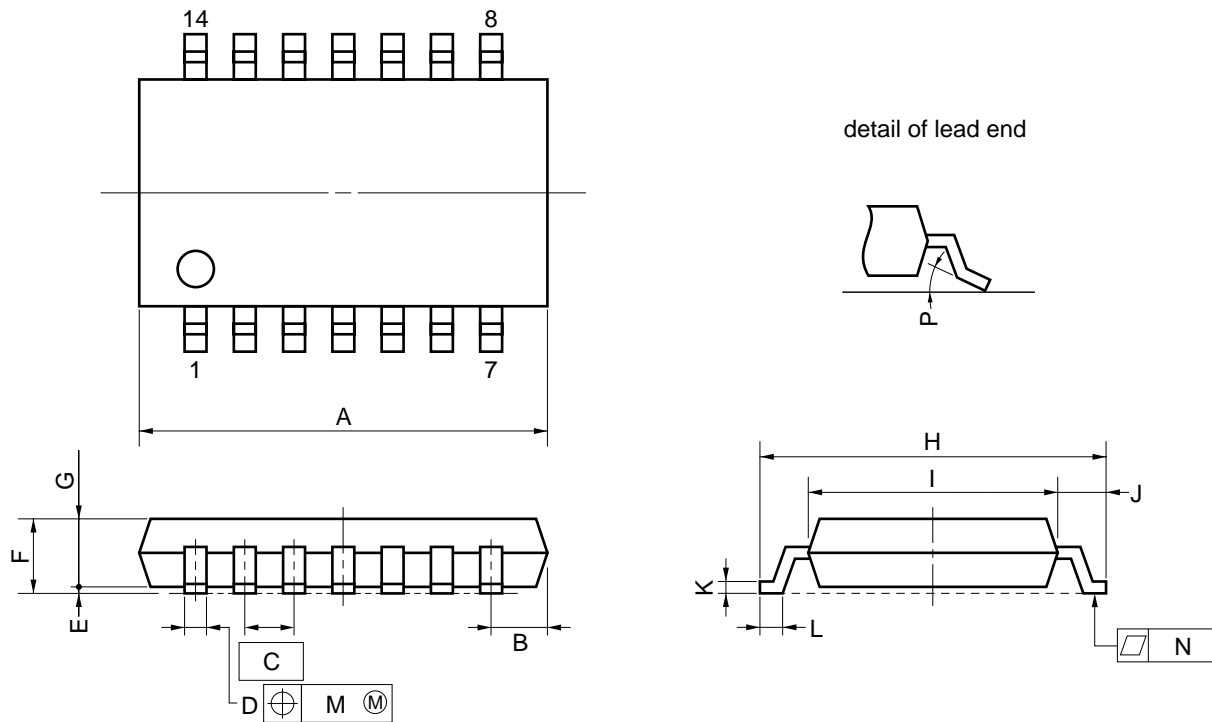
Item	Symbol	Condition	MIN.	TYP.	MAX.	Unit
(Oscillation block)						
Oscillation frequency	f _{OSC}	R _T = 68 kΩ	153	167	181	kHz
On duty	DUTY			67		%
(Low voltage misoperation preventive circuit)						
Operation start voltage	V _{IN(start-up)}		3.3	3.7	4.3	V
Operation stop voltage	V _{IN(stop)}		2.7	3.2	3.8	V
Hysteresis width	V _{HYS}		0.3	0.5	0.7	V
(Overcurrent detection block)						
Overcurrent detection voltage	V _{DET}		270	300	330	mV
(On/off control block)						
ON/OFF pin input voltage	V _{IH}	4.5 V ≤ V _{IN} ≤ 5.5 V	V _{IN} *0.7			V
	V _{IL}	4.5 V ≤ V _{IN} ≤ 5.5 V			V _{IN} *0.3	V
ON/OFF pin input current	I _{IL}	ON/OFF pin voltage = 0	-20	-5	-1	μA
(Charge pump circuit)						
Output voltage	V _{CHG}	4.5 V ≤ V _{IN} ≤ 5.5 V 0 °C ≤ T _A ≤ 70 °C	8.0		11	V
(Short-circuit protection circuit)						
Timer latch pin output current	I _{SCP}	R _T = 68 kΩ	2.0	3.3	4.5	μA
Timer latch detection voltage	V _{DETT}		0.85	1.0	1.15	V
(Output block)						
Output stage on resistance	R _{DS(ON)}	I _{PK} = 0.5 A		0.3	0.5	Ω
Output stage leakage current	I _{D(SOFF)}	V _{DS} = 20 V			1.0	μA

PIN CONFIGURATION (Top View)



PACKAGE DRAWINGS

14 PIN PLASTIC SOP (300 mil)



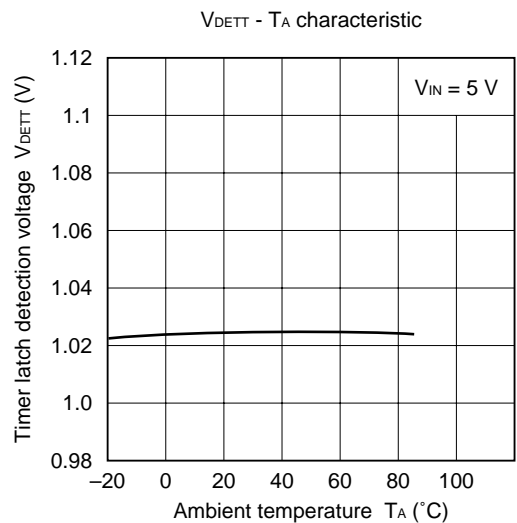
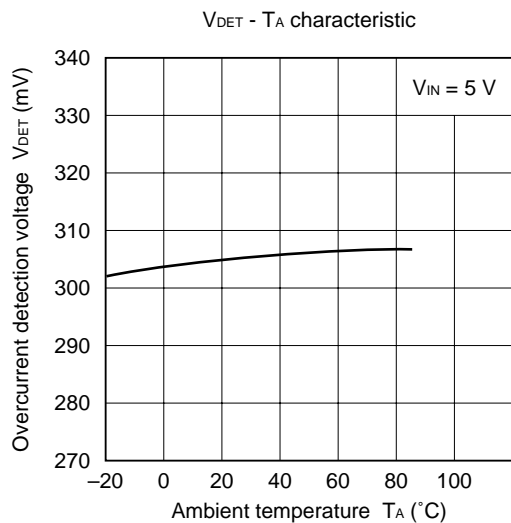
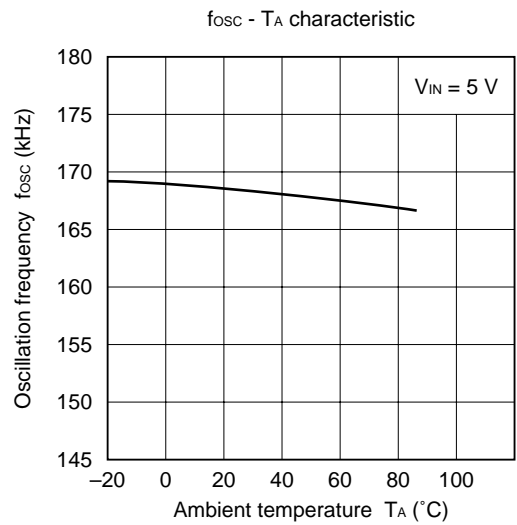
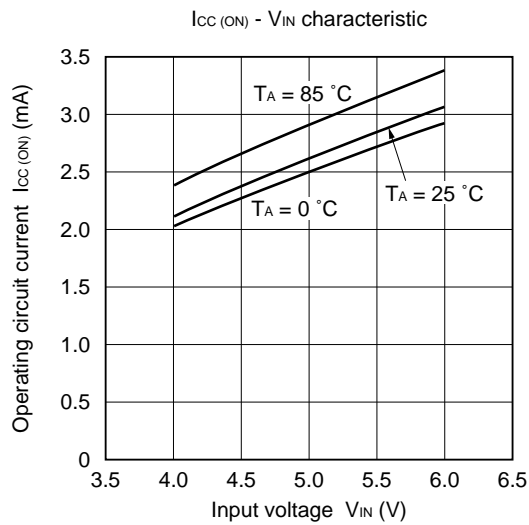
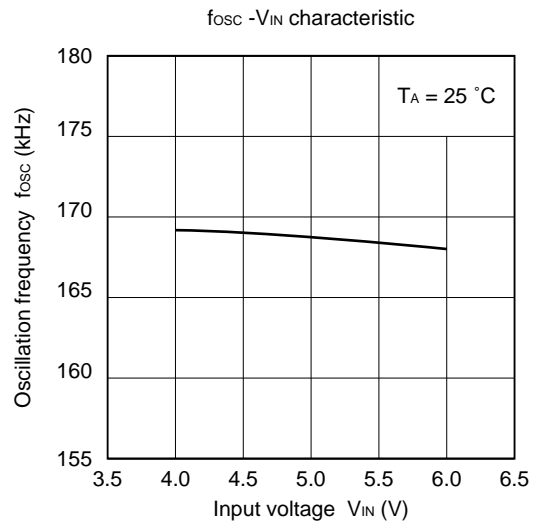
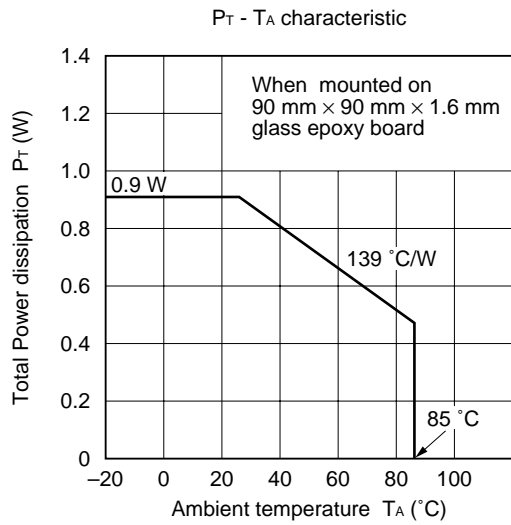
NOTE

Each lead centerline is located within 0.12 mm (0.005 inch) of its true position (T.P.) at maximum material condition.

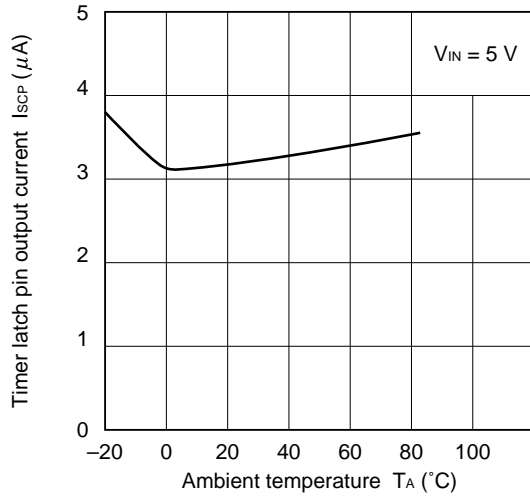
ITEM	MILLIMETERS	INCHES
A	10.46 MAX.	0.412 MAX.
B	1.42 MAX.	0.056 MAX.
C	1.27 (T.P.)	0.050 (T.P.)
D	0.40 ^{+0.10} _{-0.05}	0.016 ^{+0.004} _{-0.003}
E	0.1±0.1	0.004±0.004
F	1.8 MAX.	0.071 MAX.
G	1.55	0.061
H	7.7±0.3	0.303±0.012
I	5.6	0.220
J	1.1	0.043
K	0.20 ^{+0.10} _{-0.05}	0.008 ^{+0.004} _{-0.002}
L	0.6±0.2	0.024 ^{+0.008} _{-0.009}
M	0.12	0.005
N	0.10	0.004
P	3° ^{+7°} _{-3°}	3° ^{+7°} _{-3°}

P14GM-50-300B-4

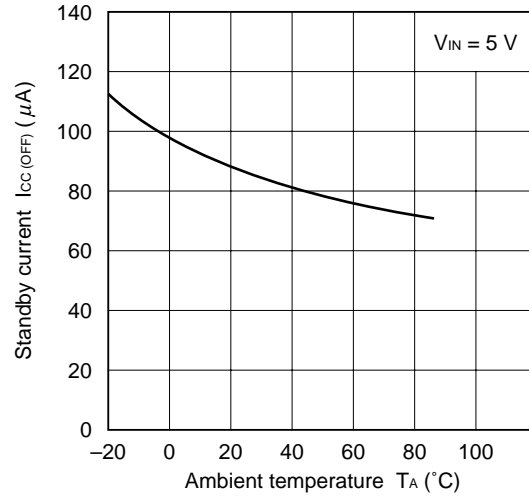
STANDARD CHARACTERISTIC CURVES



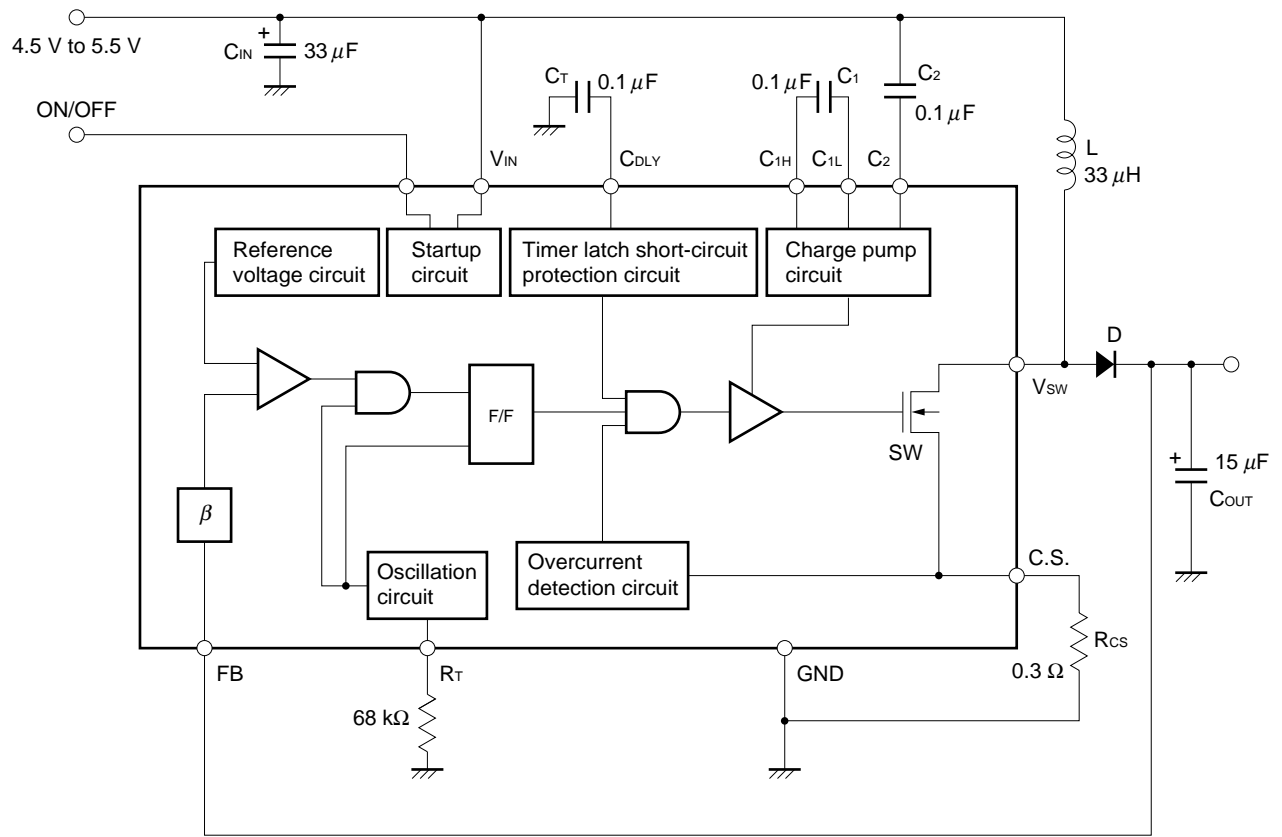
I_{SCP} - T_A characteristic



I_{CC(OFF)} - T_A characteristic



STANDARD CONNECTION DIAGRAM



Remark The circuit constants and circuit configuration in this connection diagram are shown for illustrative purposes and not intended for volume production design.

ELECTRICAL SPECIFICATIONS

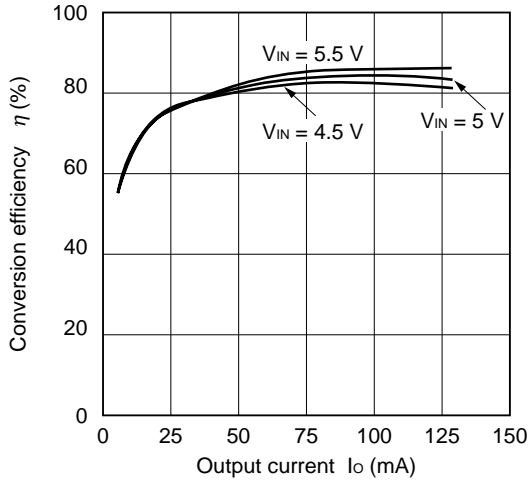
(as per standard connection diagram. $T_A = 25\text{ }^\circ\text{C}$, $V_{IN} = 5\text{ V}$, $I_{OUT} = 140\text{ mA}$ unless specified otherwise)

Item	Symbol	Condition	MIN.	TYP.	MAX.	Unit
Output voltage	V_{OUT}	$4.5\text{ V} \leq V_{IN} \leq 5.5\text{ V}$ $0\text{ mA} \leq I_o \leq 140\text{ mA}$ $0\text{ }^\circ\text{C} \leq T_A \leq 60\text{ }^\circ\text{C}$	11.52	12.00	12.48	V
Input stability	REG_{IN}	$4.5\text{ V} \leq V_{IN} < 5.5\text{ V}$		0.5		%/V
Load stability	REG_L	$0\text{ mA} \leq I_o < 140\text{ mA}$		0.004		%/mA
Conversion efficiency	η			83		%
Operating circuit current	I_{CC}	$I_o = 0$			3.0	mA
Standby circuit current	$I_{CC(OFF)}$	ON/OFF pin voltage = 0			100	μA
Startup voltage	$V_{IN(start-up)}$			3.7	4.3	V

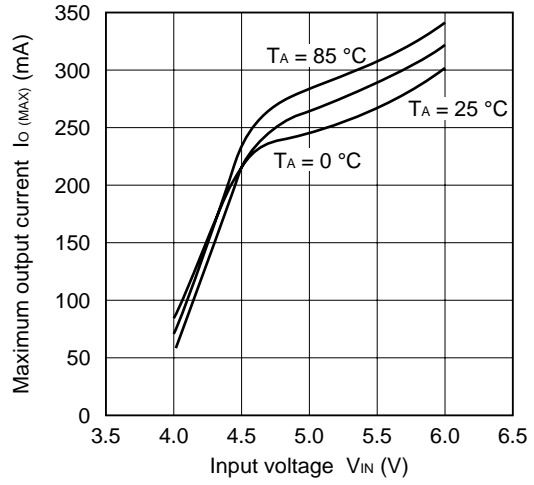
Remark These specifications are reference values confirmed with the standard connection diagram (without taking account of variations) and are not intended to guarantee the characteristics of the product as a DC/DC converter.

STANDARD CHARACTERISTIC CURVES (as per standard connection diagram)

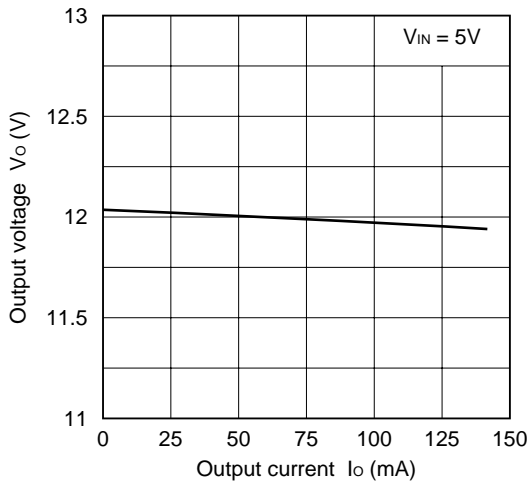
η - I_o characteristic



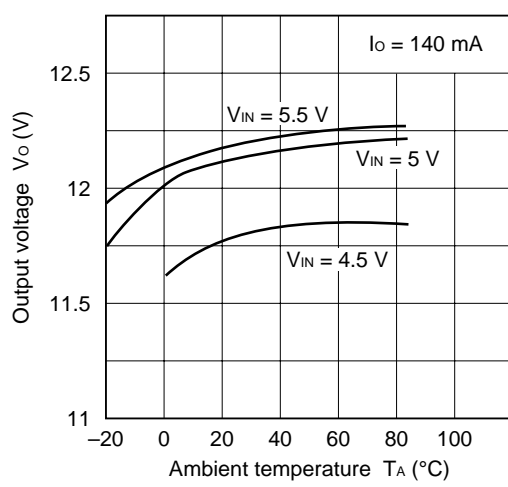
I_o (MAX) - V_{IN} characteristic



V_o - I_o characteristic



V_o - T_A characteristic



RECOMMENDED SOLDERING CONDITIONS

This product should be soldered and mounted under the conditions recommended below.

For soldering methods and conditions other than those recommended, please contact your NEC sales representative.

For details of recommended soldering conditions, refer to the information document "**Semiconductor Device Mounting Technology Manual.**"

Soldering Method	Soldering Conditions	Recommended Condition Symbol
Infrared reflow	Package peak temperature: 235 °C; Duration: 30 sec. max. (210 °C or above): Number of times: Max. 3; Time limit: None ^{Note} Flux: Rosin type flux with reduced chlorine content (chlorine 0.2 Wt% or less) is recommended.	IR35-00-3
VPS	Package peak temperature: 215 °C; Duration: 40 sec. max. (200 °C or above): Number of times: 1; Time limit: None ^{Note} Flux: Rosin type flux with reduced chlorine content (chlorine 0.2 Wt% or less) is recommended.	VP15-00-1
Wave soldering	Package peak temperature: 260 °C or less, Duration: 10 sec. max., Preparatory heating temperature: 120 °C or less; Number of times: 1 Flux: Rosin type flux with reduced chlorine content (chlorine 0.2 Wt% or less) is recommended.	WS60-00-1

Note For the storage period after unpacking from the dry-pack, storage conditions are max. 25 °C, 65% RH.

Caution Use of more than one soldering method should be avoided.

REFERENCE DOCUMENTS

NEC Semiconductor Device Reliability/Quality Control System	10983E
Semiconductor Device Quality Guarantee Guide	MEI-1202
Semiconductor Device Mounting Technology Manual	C10535E

[MEMO]

[MEMO]

No part of this document may be copied or reproduced in any form or by any means without the prior written consent of NEC Corporation. NEC Corporation assumes no responsibility for any errors which may appear in this document.

NEC Corporation does not assume any liability for infringement of patents, copyrights or other intellectual property rights of third parties by or arising from use of a device described herein or any other liability arising from use of such device. No license, either express, implied or otherwise, is granted under any patents, copyrights or other intellectual property rights of NEC Corporation or others.

While NEC Corporation has been making continuous effort to enhance the reliability of its semiconductor devices, the possibility of defects cannot be eliminated entirely. To minimize risks of damage or injury to persons or property arising from a defect in an NEC semiconductor device, customers must incorporate sufficient safety measures in its design, such as redundancy, fire-containment, and anti-failure features.

NEC devices are classified into the following three quality grades:

"Standard", "Special", and "Specific". The Specific quality grade applies only to devices developed based on a customer designated "quality assurance program" for a specific application. The recommended applications of a device depend on its quality grade, as indicated below. Customers must check the quality grade of each device before using it in a particular application.

Standard: Computers, office equipment, communications equipment, test and measurement equipment, audio and visual equipment, home electronic appliances, machine tools, personal electronic equipment and industrial robots

Special: Transportation equipment (automobiles, trains, ships, etc.), traffic control systems, anti-disaster systems, anti-crime systems, safety equipment and medical equipment (not specifically designed for life support)

Specific: Aircrafts, aerospace equipment, submersible repeaters, nuclear reactor control systems, life support systems or medical equipment for life support, etc.

The quality grade of NEC devices is "Standard" unless otherwise specified in NEC's Data Sheets or Data Books. If customers intend to use NEC devices for applications other than those specified for Standard quality grade, they should contact an NEC sales representative in advance.

Anti-radioactive design is not implemented in this product.