

# $\mu$ PD1708G-019, $\mu$ PD1708G-219

## PLL/CONTROLLER WITH CLOCK FUNCTION FOR FM·MW·TUNER

The  $\mu$ PD1708G-019,  $\mu$ PD1708G-219 with clock function is a PLL/controller, which is designed especially for radio of FM·MW·LW bands in the whole world.

### FEATURES

- Single power supply of 5 V  $\pm$ 10 %
- LCD direct drive (1/2 duty, 1/2 bias drive, frame frequency: 100 Hz)
- Build-in prescaler
- Build-in 12 hour/24 hour clock function
- 6 station preset memory (6 FM/MW/LW stations can be preset, independent of each other, with 6 buttons)
- Manual UP/DOWN and auto UP/DOWN (SCAN/SEEK) station selection (saw tooth tuning)
- Auto VF retune, Auto retune
- Auto preset memory, preset memory SCAN in band
- Last channel memory memorizes one FM/MW/LW station each.
- ARI (traffic information) auto tuning is possible.
- STEREO and SK can be indicated.
- Preset memory indication (number indication)
- Selectable lead type

Lead bended type :  $\mu$ PD1708G-019-00 Package Dimension ... ⑤

Straight lead type :  $\mu$ PD1708G-219-03 Package Dimension ... ⑦

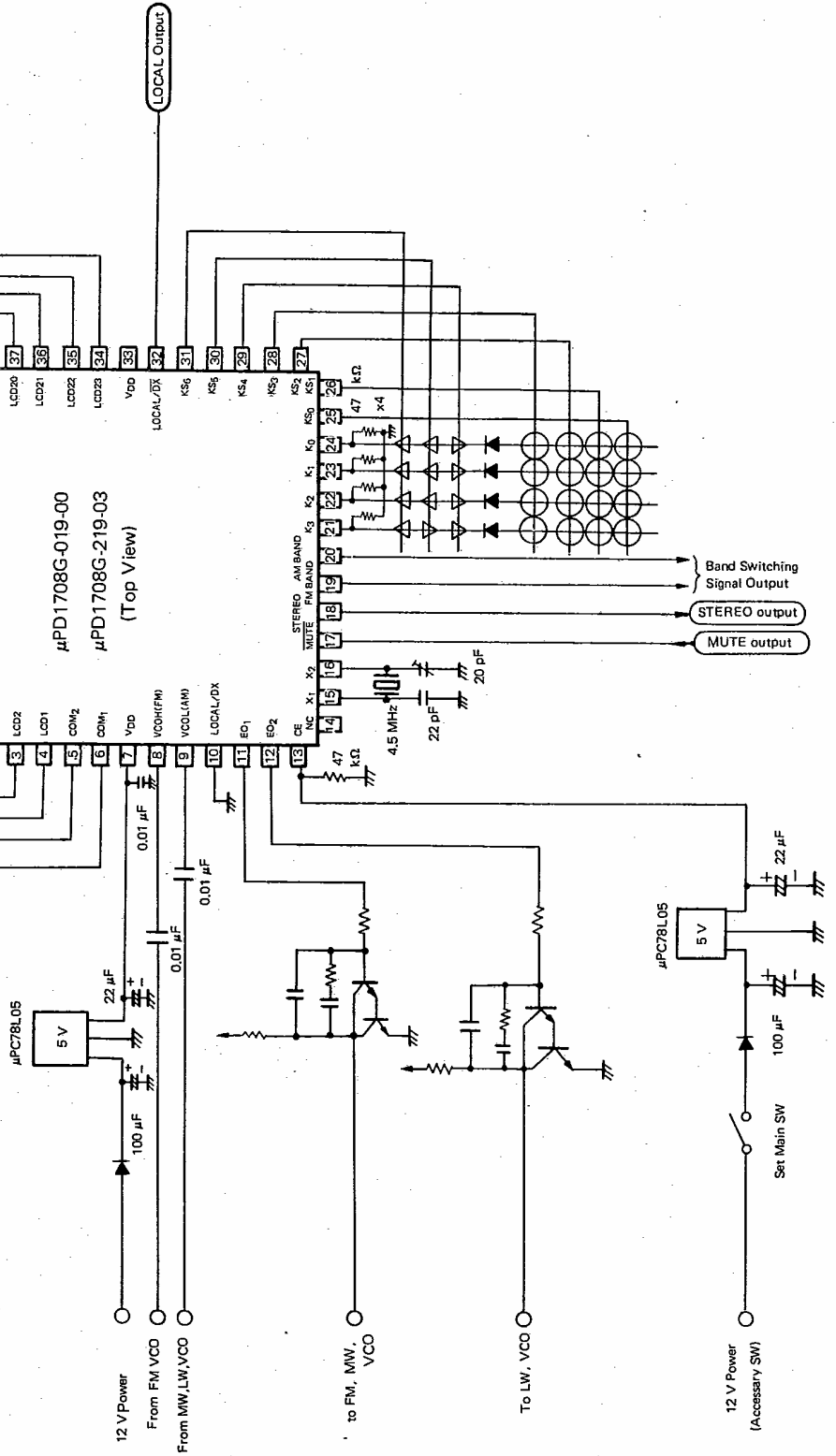
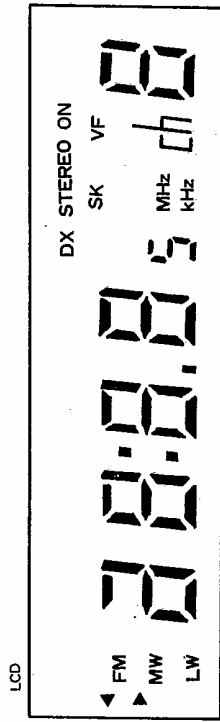
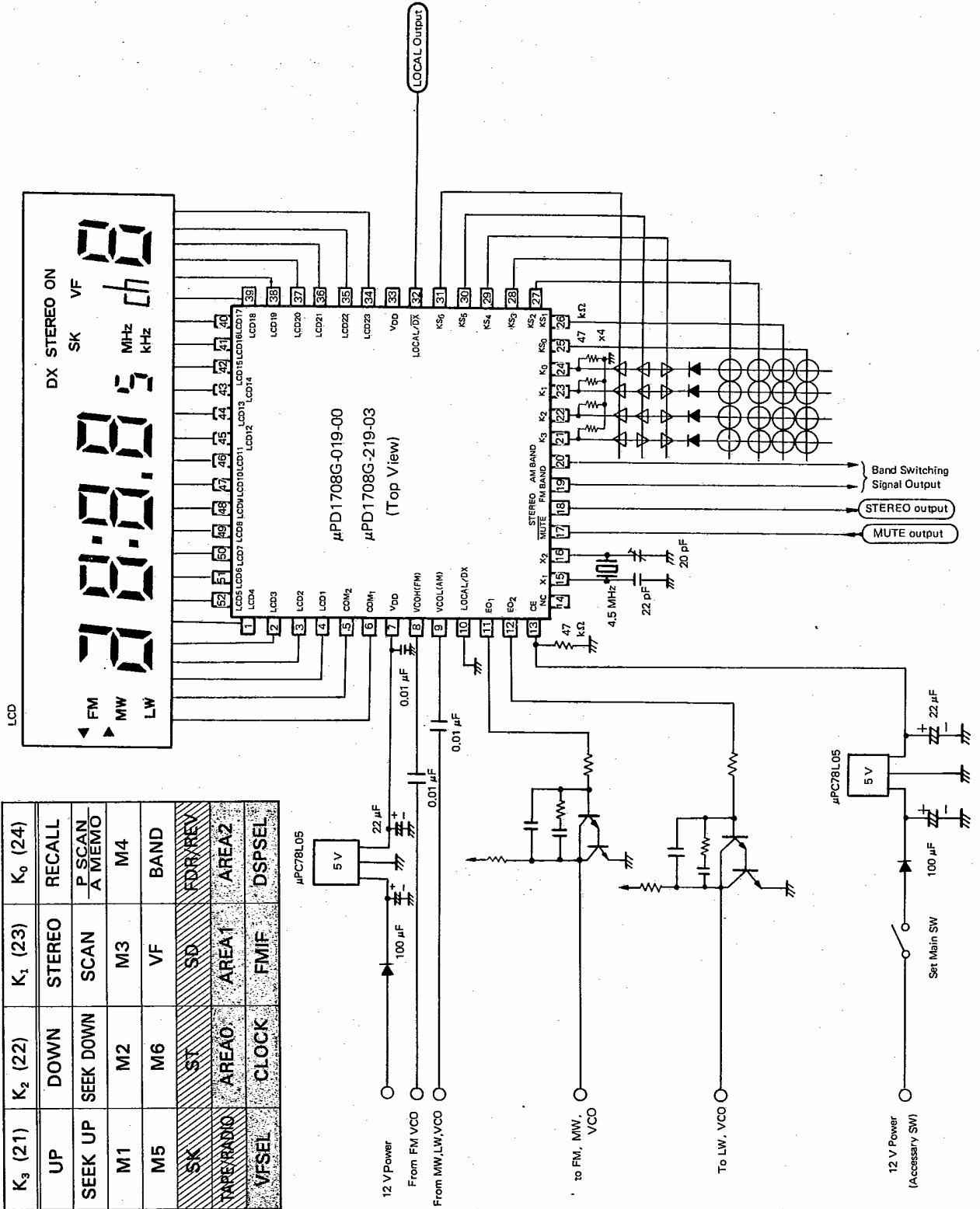
### Receiving Frequency, Channel Spacing, Reference Frequency, Intermediate Frequency

DISTRICT	BAND	ITEM	FREQUENCY RANGE	Channel Spacing		Reference Frequency	Intermediate Frequency
				Manual	Auto		
Europe 1	UKW		87.50to108.00 MHz	50 kHz	50 kHz	25	10.700, 10.750 MHz
	MW		531to1 602 kHz	9 kHz	9 kHz	9	459 kHz
	LW		153to281 kHz	1 kHz	9 kHz	1	459 kHz
Europe 2	MW		531to1 602 kHz	9 kHz	9 kHz	9	459 kHz
	LW		153to281 kHz	1 kHz	9 kHz	1	459 kHz
Europe 3	UKW		87.5to108.00 MHz	50 kHz	50 kHz	25	10.700, 10.750 MHz
	MW		531to1 602 kHz	9 kHz	9 kHz	9	459 kHz
USA 1	FM		87.9to107.9 MHz	200 kHz	200 kHz	25	10.700, 10.750 MHz
	MW		530to1 610 kHz	10 kHz	10 kHz	10	450 kHz
USA 2	FM		87.9to107.9 MHz	200 kHz	200 kHz	25	10.700, 10.750 MHz
	MW		530to1 610 kHz	10 kHz	10 kHz	10	450 kHz
Middle East Australia 1	FM		87.9to107.9 MHz	100 kHz	100 kHz	25	10.700, 10.750 MHz
	MW		531to1 602 kHz	9 kHz	9 kHz	9	450 kHz
Middle East Australia 2	FM		87.9to107.9 MHz	100 kHz	100 kHz	25	10.700, 10.750 MHz
	MW		531to1 602 kHz	9 kHz	9 kHz	9	450 kHz
Japan	FM		76.1to89.9 MHz	100 kHz	100 kHz	25	-10.700, -10.750 MHz
	MW		522to1 629 kHz	9 kHz	9 kHz	9	450 kHz

APPLICATION CIRCUIT EXAMPLE

Key Matrix Configuration

OUTPUT	INPUT	K <sub>3</sub> (21)	K <sub>2</sub> (22)	K <sub>1</sub> (23)	K <sub>0</sub> (24)
KS <sub>0</sub> (25)	UP	DOWN	STEREO	RECALL	
KS <sub>1</sub> (26)	SEEK UP	SEEK DOWN	SCAN	P SCAN	A MEMO
KS <sub>2</sub> (27)	M1	M2	M3	M4	M4
KS <sub>3</sub> (28)	M5	M6	VF	BAND	BAND
KS <sub>4</sub> (29)	SK	SD	SD	FOR/REV	FOR/REV
KS <sub>5</sub> (30)	TAPE RADIO	AREA0	AREA1	AREA2	AREA2
KS <sub>6</sub> (31)	VFSEL	CLOCK	FMIF	DSPSEL	DSPSEL



12 V Power (Accessory SW)