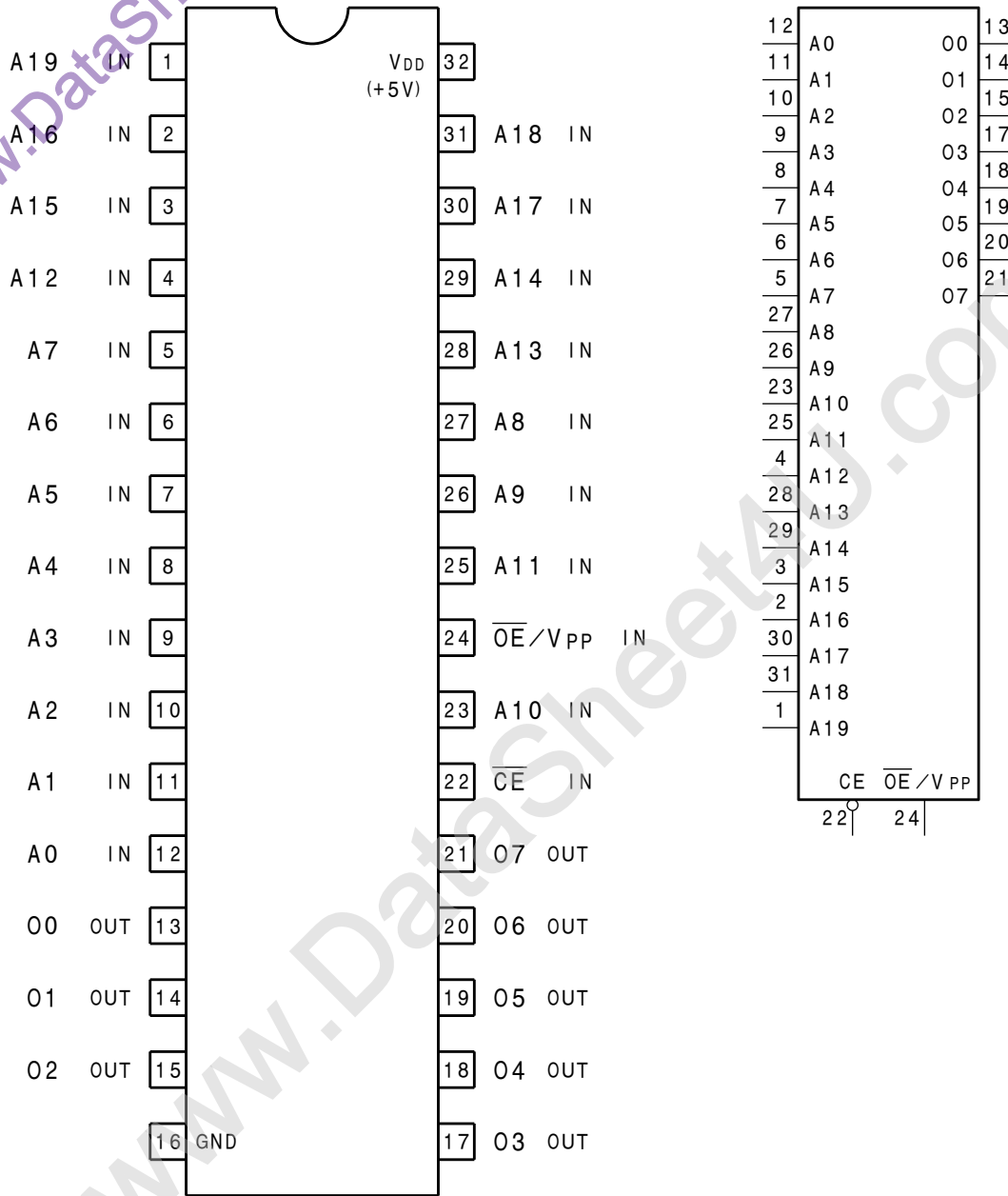


\*\*\*\*\*

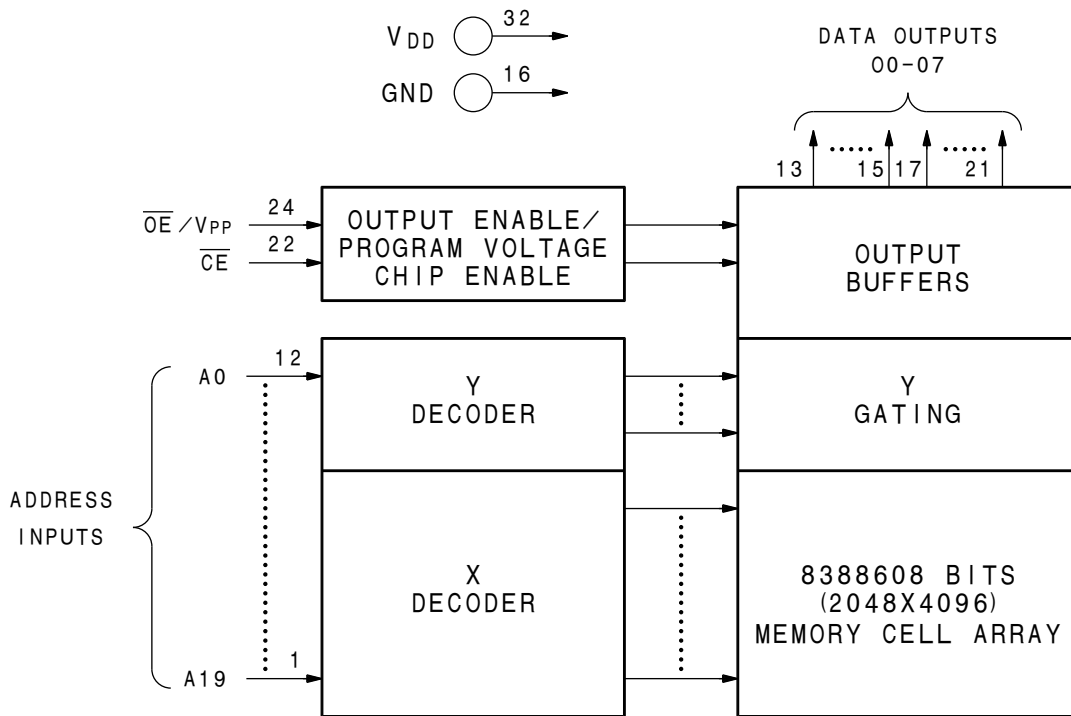
UPD27C8001DZ-15(1/2)  
IL08

C-MOS 8M(1048,576x8)-BIT ERASABLE PROM  
-TOP VIEW



A0-A19 ; ADDRESS INPUTS  
00-07 ; DATA OUTPUTS  
 $\overline{CE}$  ; CHIP ENABLE  
 $\overline{OE}/V_{PP}$  ; OUTPUT ENABLE/PROGRAM VOLTAGE

www.DataSheet4U.com



ABOVE DIAGRAM SHOWS CONDITIONS BEFORE PROGRAMMING.

MODE \ SYMBOL	$\overline{CE}$	$\overline{OE}/V_{PP}$	$V_{DD}$	00-07
READ	0	0	+5V	DOUT
OUTPUT DISABLE	0	1		HI-Z
STANDBY	1	X		HI-Z
PROGRAM	0	+12.5	+6.5V	DIN
PROGRAM VERIFY	0	0		DOUT
PROGRAM INHIBIT	1	+12.5		HI-Z

1 ; HIGH LEVEL  
 0 ; LOW LEVEL  
 X ; DON'T CARE  
 HI-Z ; HIGH IMPEDANCE