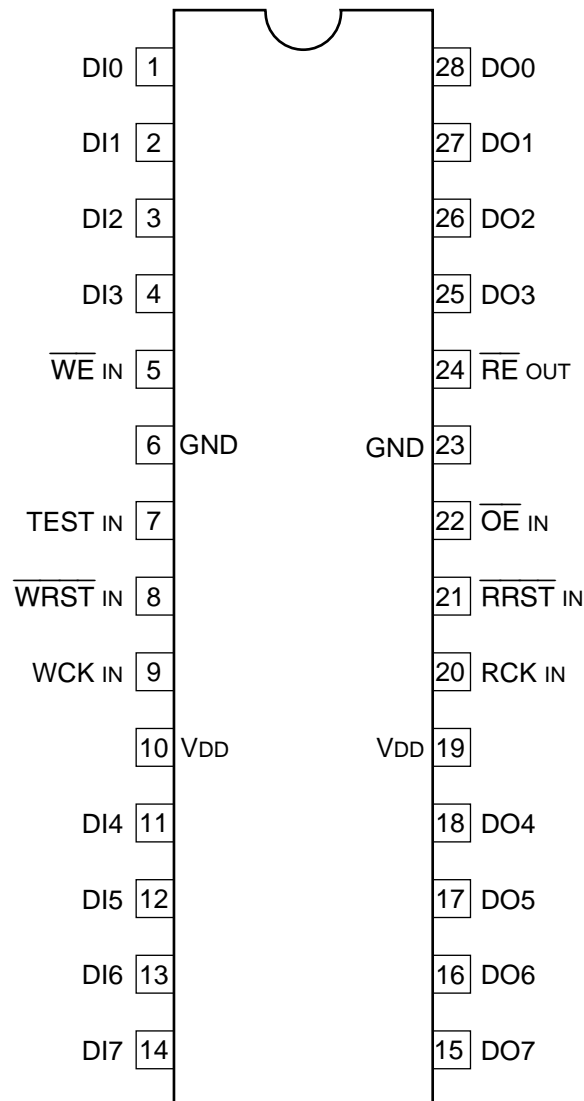


C-MOS 2 M (256 × 8)-BIT FIELD BUFFER

—TOP VIEW—



1	DI0	D OUT7	15
2	DI1	D OUT6	16
3	DI2	D OUT5	17
4	DI3	D OUT4	18
5	WE	RE	24
7	TEST	D OUT3	25
8	WRST	D OUT2	26
9	WCK	D OUT1	27
11	DI4	D OUT0	28
12	DI5		
13	DI6		
14	DI7		
20	RCK		
21	RRST		
22	OE		

DI0 - 7 : DATA INPUTS

DO0 - 7 : DATA OUTPUTS

 \overline{OE} : OUTPUT ENABLE INPUT

RCK : READ CLOCK INPUT

RE : READ ENABLE OUTPUT

 \overline{RRST} : READ RESET INPUT

TEST : TEST INPUT

WCK : WRITE CLOCK INPUT

 \overline{WE} : WRITE ENABLE INPUT

WRST : WRITE RESET INPUT

