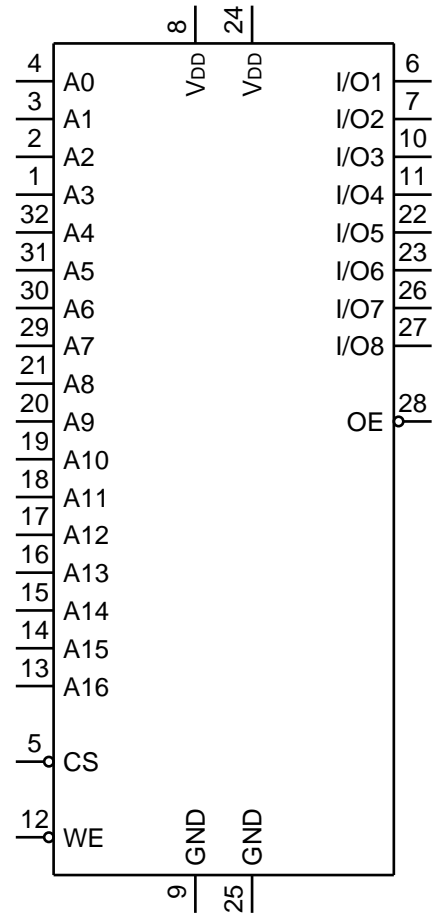
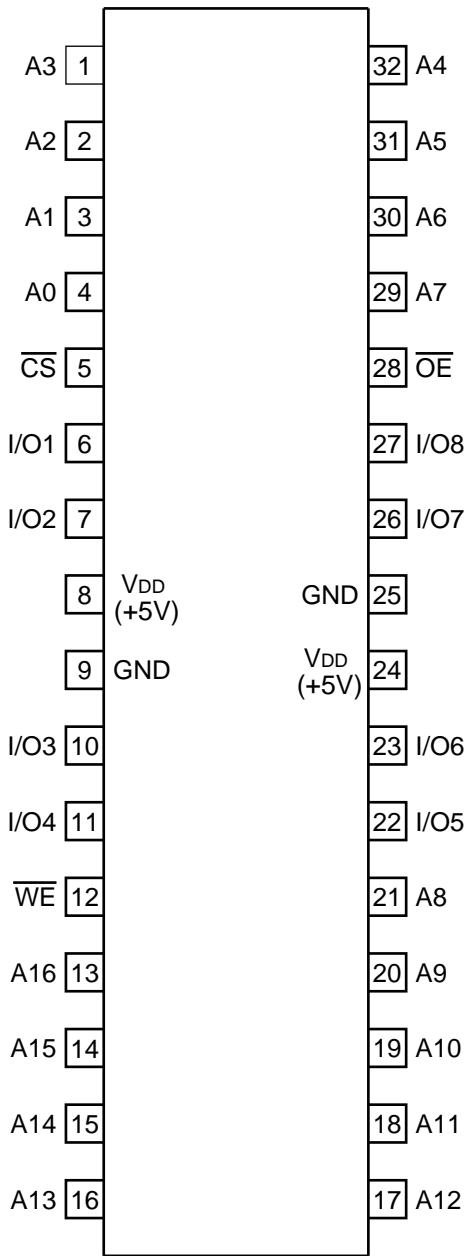

C-MOS 128K-WORD x 8-BIT STATIC RAM

- TOP VIEW -



INPUT

A0-A16 ; ADDRESS
 \overline{CS} ; CHIP SELECT
 \overline{WE} ; WRITE ENABLE

OUTPUT

\overline{OE} ; OUTPUT ENABLE

INPUT/OUTPUT

I/O 1-I/O 8 ; DATA INPUT/OUTPUT

MODE	\overline{CS}	\overline{OE}	\overline{WE}	I / O
STAND BY	1	X	X	HI-Z
READ	0	0	1	DATA OUT
OUTPUT DISABLE	0	1	1	HI-Z
WRITE	0	X	0	DATA IN

0 ; LOW LEVEL
 1 ; HIGH LEVEL
 X ; DON'T CARE
 HI-Z ; HIGH IMPEDANCE

