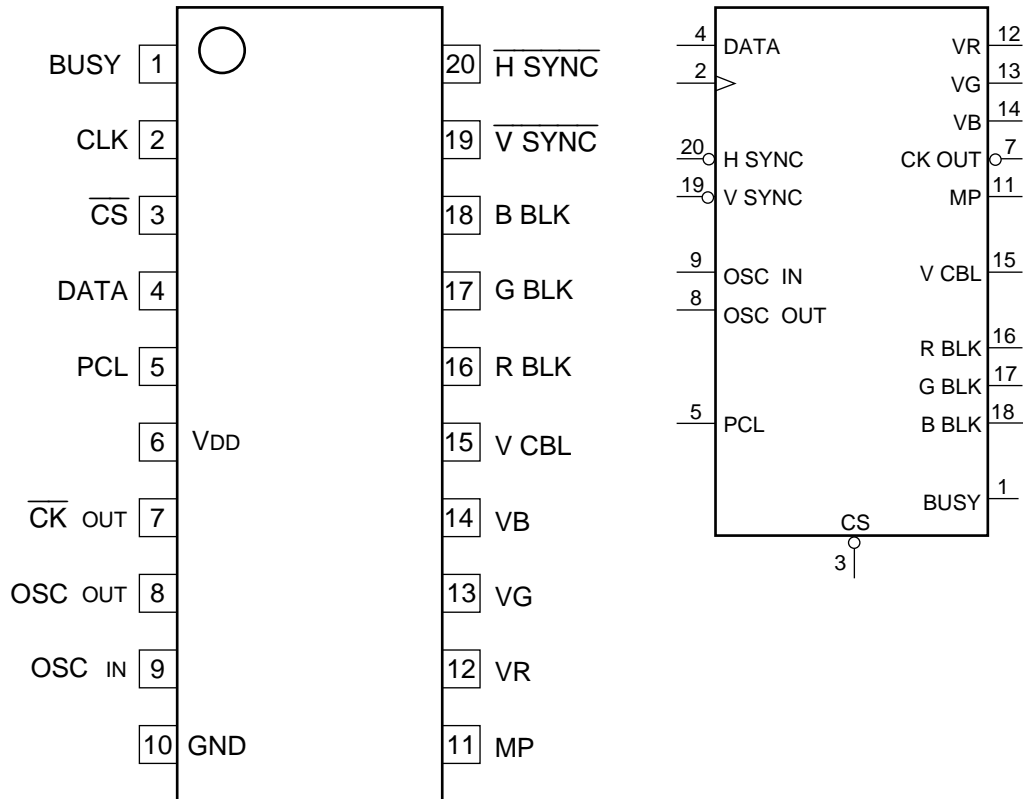


# C-MOS ON-SCREEN CHARACTER DISPLAY

—TOP VIEW—



**INPUT**

- CLK : CLOCK
- CS : CHIP SELECT
- DATA : SERIAL DATA
- H SYNC : HORIZONTAL SYNC
- OSC IN : OSCILLATOR IN
- PCL : POWER ON CLEAR
- V SYNC : VERTICAL SYNC

**OUTPUT**

- BBLK, RBLK, GBLK : B, R, G, BLANKING
- BUSY : BUSY OUT
- CK OUT : CLOCK
- MP : MASK PULSE
- OSC OUT : OSCILLATOR OUT
- VR, VG, VB : R, G, B, CHARACTER DATA
- VCBL : VIDEO CUT BLANKING

