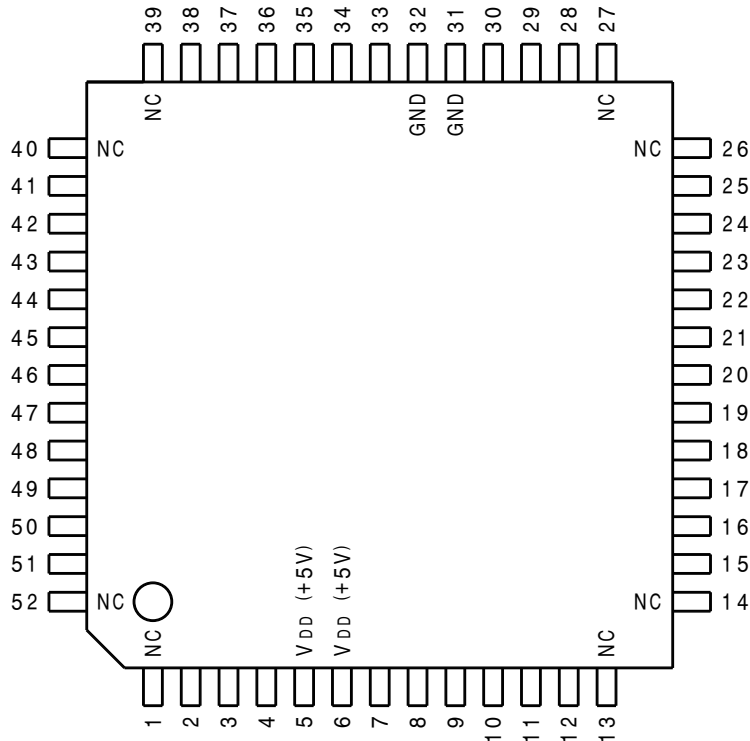

C-MOS GRAPHIC DISPLAY CONTROLLER

-TOP VIEW-



(V_{DD} = +5V)

PIN No.	I/O	SIGNAL	PIN No.	I/O	SIGNAL	PIN No.	I/O	SIGNAL
1	-	NC	19	I	WR	37	I/O	AD2
2	I/O	AD15 / (LC2)	20	I	A0	38	I/O	AD3
3	O	A16 / (LC3) / [AT. BLINK-CLC]	21	I/O	DB0	39	-	NC
4	O	A17 / (CSR-LC4) / [CSR-IMAGE]	22	I/O	DB1	40	-	NC
5	-	V _{DD}	23	I/O	DB2	41	I/O	AD4
6	-	V _{DD}	24	I/O	DB3	42	I/O	AD5
7	-	IC	25	I/O	DB4	43	I/O	AD6
8	I	2x CCLK	26	-	NC	44	I/O	AD7
9	O	DBIN	27	-	NC	45	I/O	AD8
10	O	HSYNC-REF	28	I/O	DB5	46	I/O	AD9
11	I/O	VSYNC/EX. SYNC	29	I/O	DB6	47	I/O	AD10
12	O	BLANK	30	I/O	DB7	48	I/O	AD11
13	-	NC	31	-	GND	49	I/O	AD12
14	-	NC	32	-	GND	50	I/O	AD13 (LC0)
15	O	RAS	33	-	IC	51	I/O	AD14 (LC1)
16	O	DRQ/A18 / (A13) / [A16]	34	I	LPEN/WAIT/DT	52	-	NC
17	I/O	DACK/A19 / (A14) / [A17]	35	I/O	A0			
18	I	RD	36	I/O	AD1			

IC; Internally Connected, () ; When Character mode, [] ; When Character/Graphic mix mode

